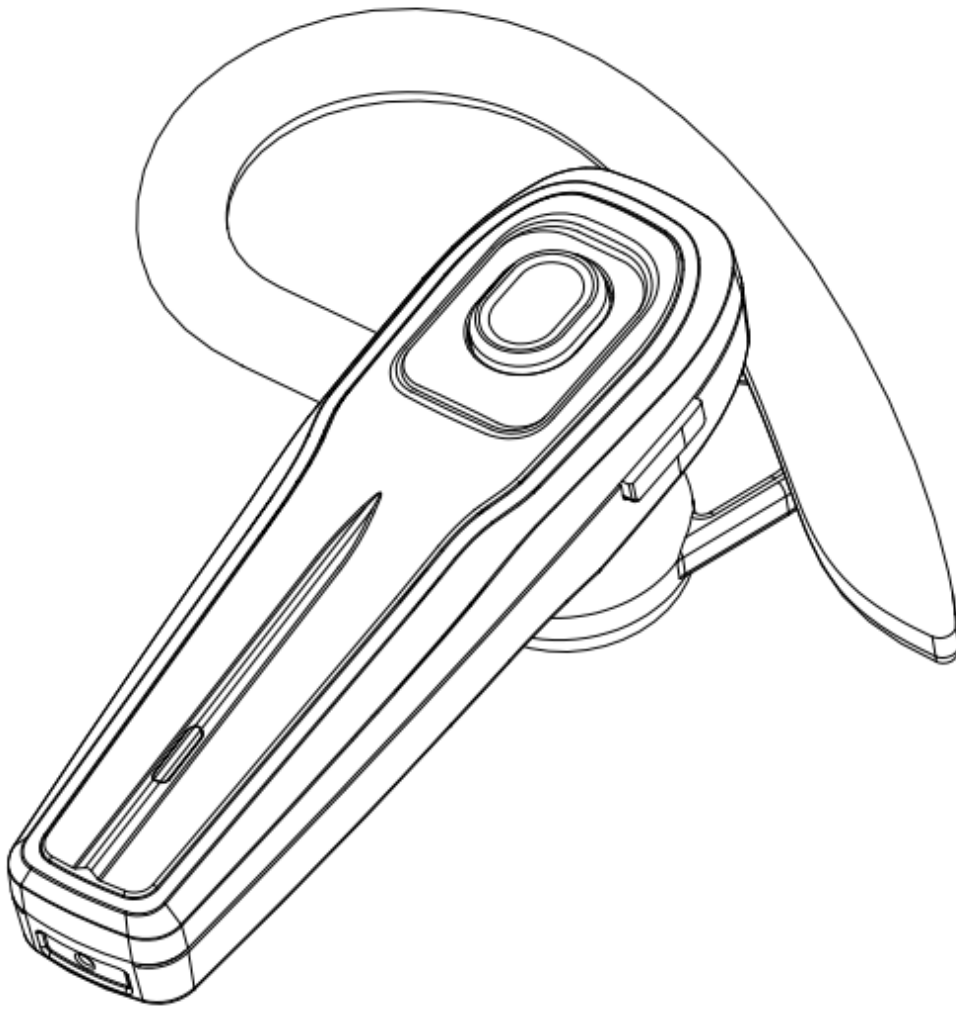


*Enjoy your hands-free communications*



# **User Manual**

**For**

**N/A**

**SEED**

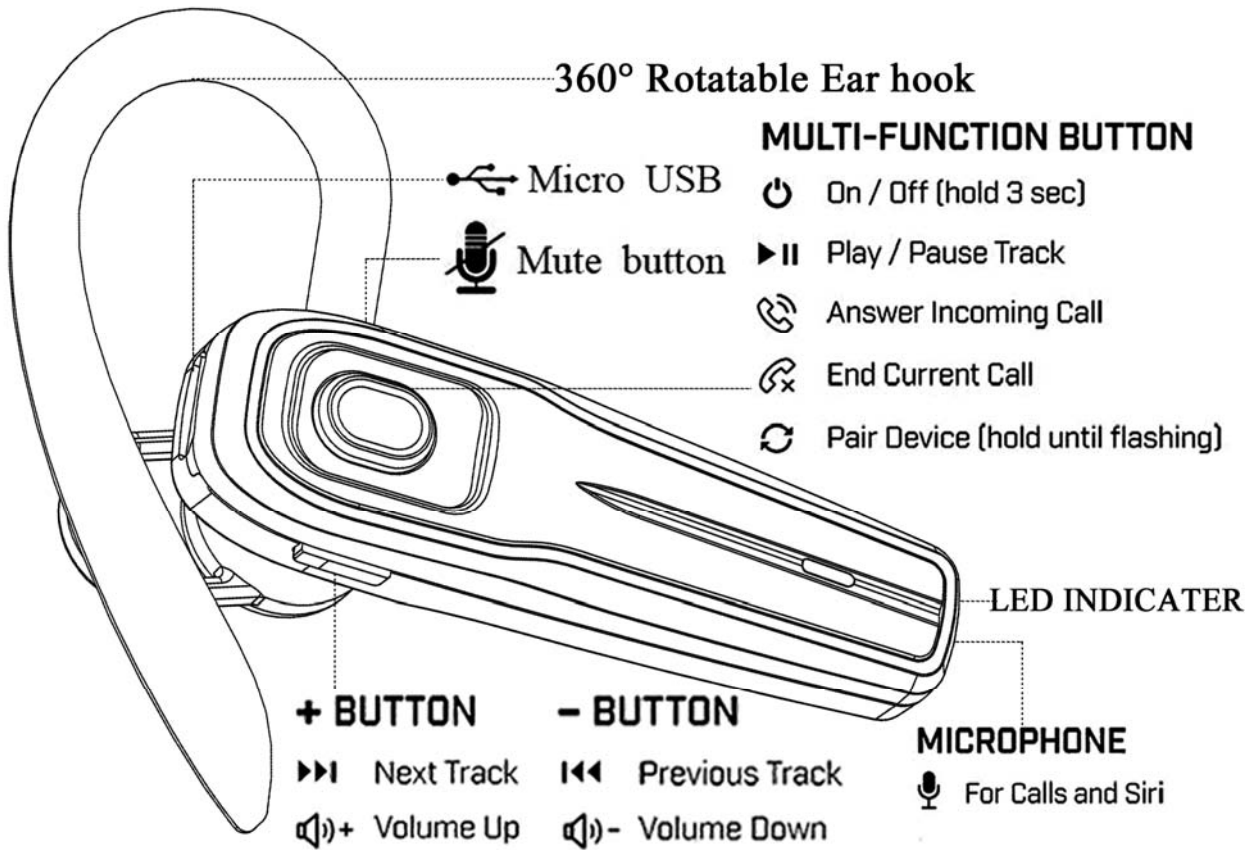
# 1. WELCOME

Thank you for using this wireless Headset. We hope you will enjoy it!

## FEATURES

- ✓ Voice guidance
- ✓ Battery and pairing status display
- ✓ HD Voice
- ✓ Long talk time – Up to 7 hours
- ✓ Power Nap feature
- ✓ Wireless freedom - Up to 10m/33ft
- ✓ Pairing right after power on
- ✓ Voice assistant function & Siri supported

# 2. HEADSET OVERVIEW



*USB Charge Cable ×1*

# 3. HOW TO WEAR

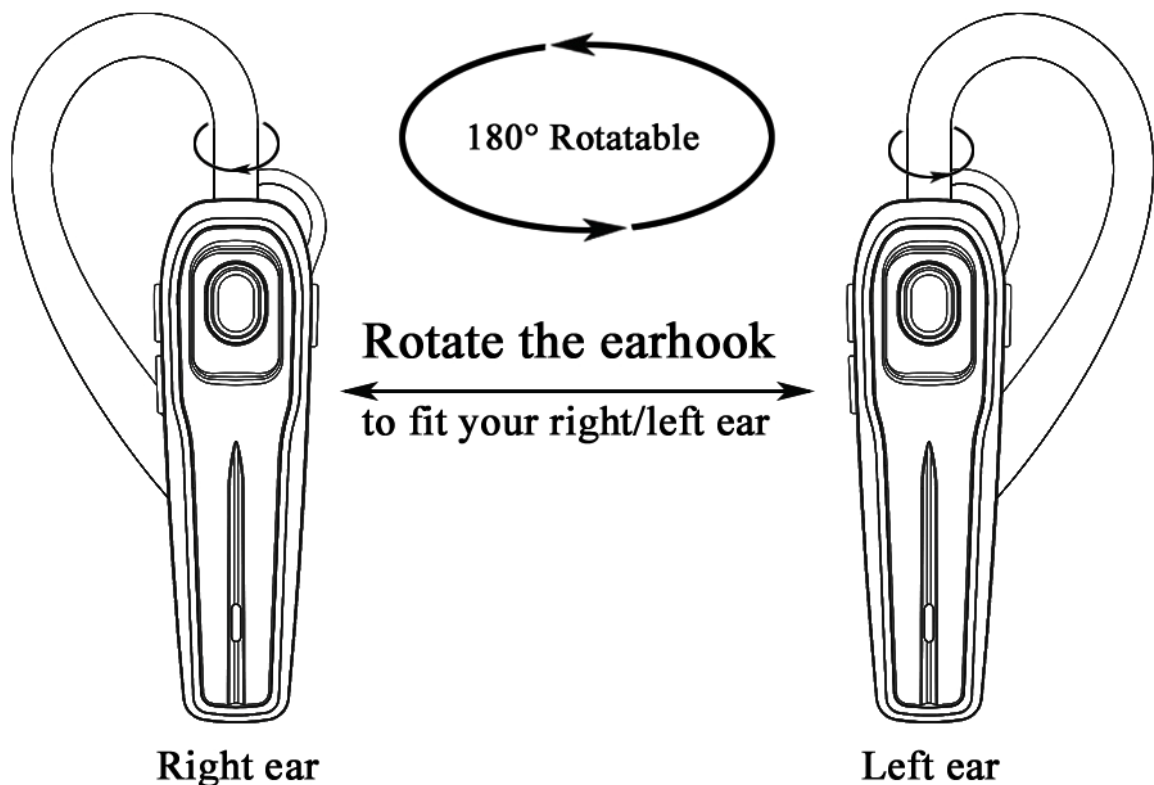
## 3.1 Worn on Left or Right Ear

The headset can be worn on the left or right ear. To switch ear:

1. Rotate the ear hook 180°

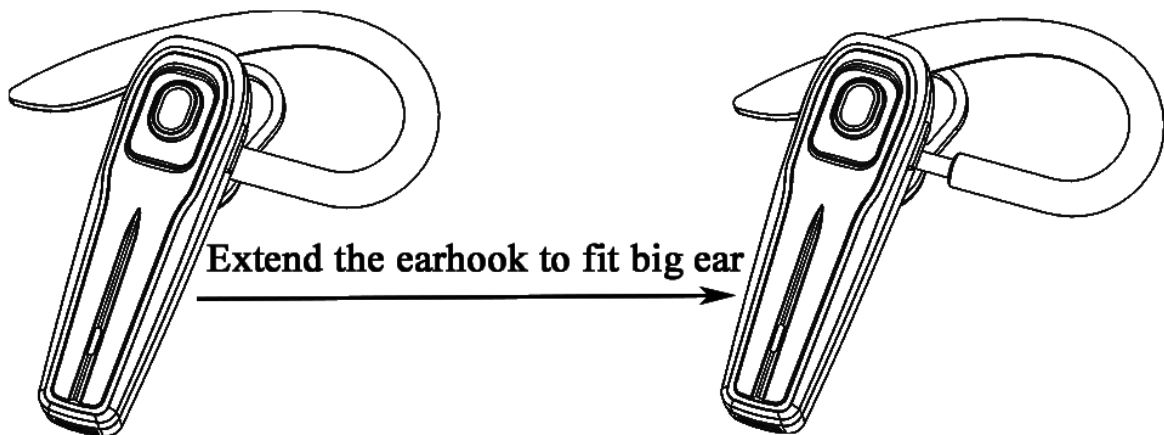
2. Twist it around so the eartip is on the other side

3. Lower the ear hook



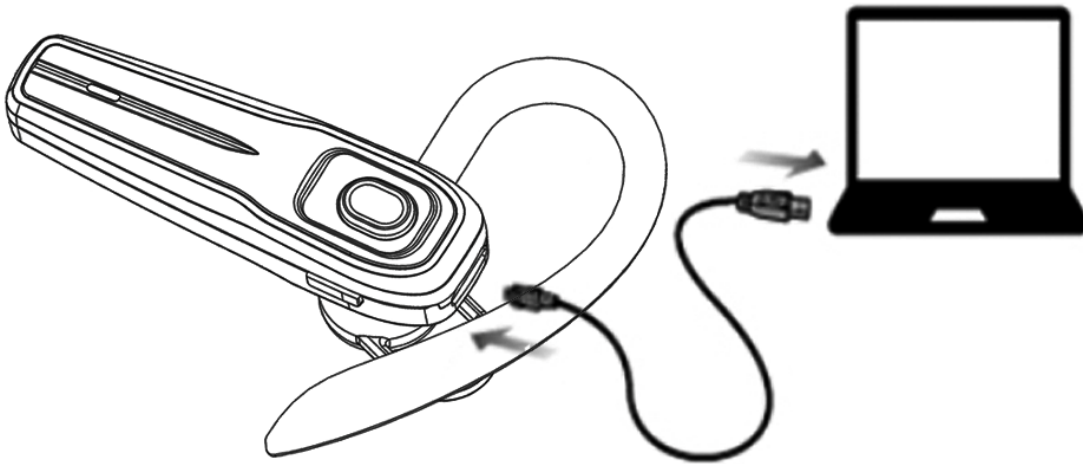
### 3.2 Adjust the ear hook

1. Lengthen the ear hook, to fit big ears
2. Retract the ear hook, to fit small ears.



## 4. HOW TO CHARGE THE BATTERY

Plug the headset into any available USB port on your PC using the USB cable.



**NOTE1:** For safety reasons, we designed this headset to be not functional while it is under charging.

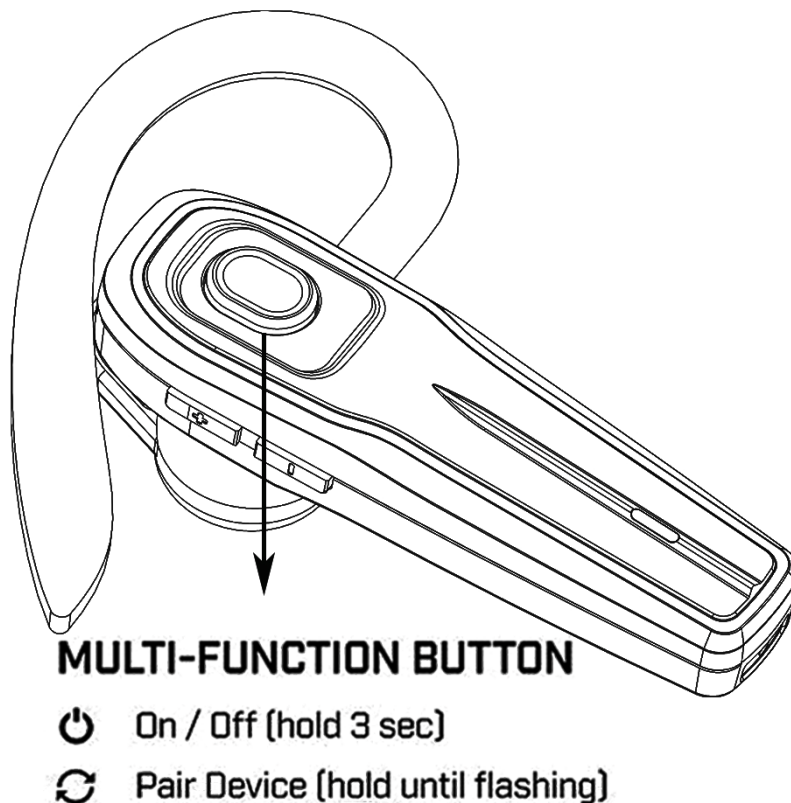
**NOTE2:** If the output of your charger for this headset is higher than 5V, it will damage your headset potentially. You must use standard charger(5V or lower) for your headset.

It takes approx. 2 hours to fully charge the battery.

# 5. HOW TO CONNECT

## 5.1 Get Paired

The first time you power on your headset, it begins the pairing process.



1. Wearing your headset, **press the “MFB” button for 2 seconds.** You will hear “Power ON” and the headset indicator lights flash red and blue.

2. The indicator lights will flash blue when your headset get paired successfully; but if the headset failure to match within 3 min, it will power off automatically.

3. Activate Bluetooth® on your phone and set it to search for new devices.

- iPhone® Settings > Bluetooth > On\*
- Android™ > Bluetooth: On > Scan for devices\*

NOTE \*Menus may vary by device.

4. Select "**Spoon B1**"

If necessary, enter four zeros (0000) for the passcode or accept the connection.

Once successfully paired, you hear "connected" and the headset indicator lights stop flashing.

NOTE\*The headset powers off automatically after 3 min without paired to phones.



## 5.2 Pair another phone

After pairing your headset to your phone you may want to pair another or new phone.

Deactivate Bluetooth® on your first phone.

1. Tap and hold the “MFB” button for 6 secs.

The headset indicator lights flash red and turn off.

2. Tap and hold the “MFB” button for 2 secs,

the headset indicator lights flash red and blue.

3. Activate Bluetooth® on your another phone and set it to search for new devices.

4. Select “**Spoon B1**”

If necessary, enter four zeros (0000) for the passcode or accept the connection. Once successfully paired, the headset indicator lights stop flashing and you will hear “Connected”.

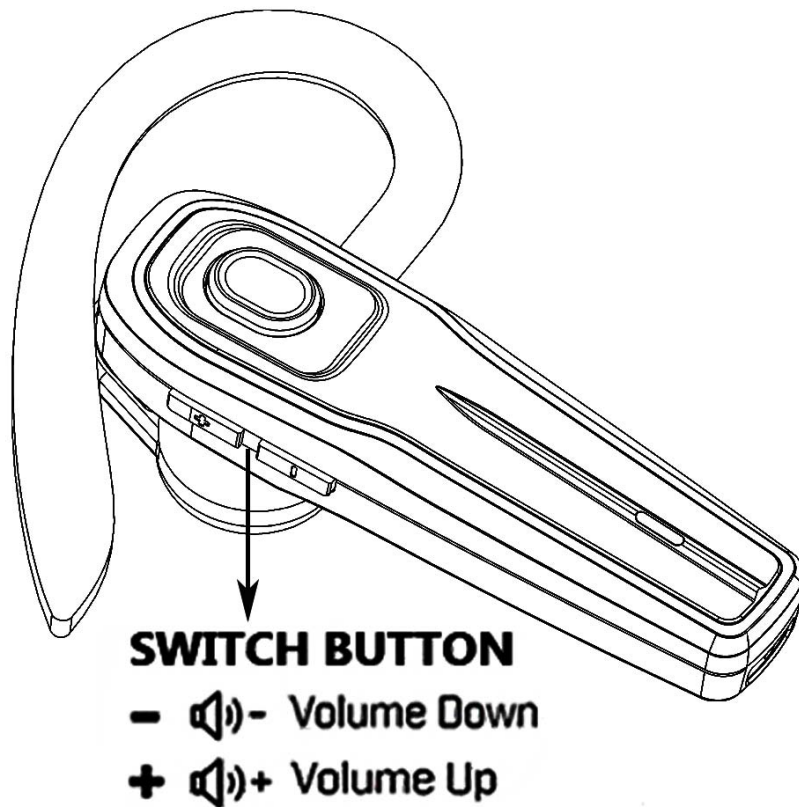
5. Activate Bluetooth® on your first phone.

6. Tap and hold the “MFB” button for 6 secs to power off the headset.

7. Tap and hold the “MFB” button for 2 secs to power on the headset, then you can get two phones automatically connect with your phone.

**NOTE:** If your PC does not support Bluetooth function or remind you need driver, you need to use an external Bluetooth USB Adapter.

## 6. HOW TO ADJUST VOLUME

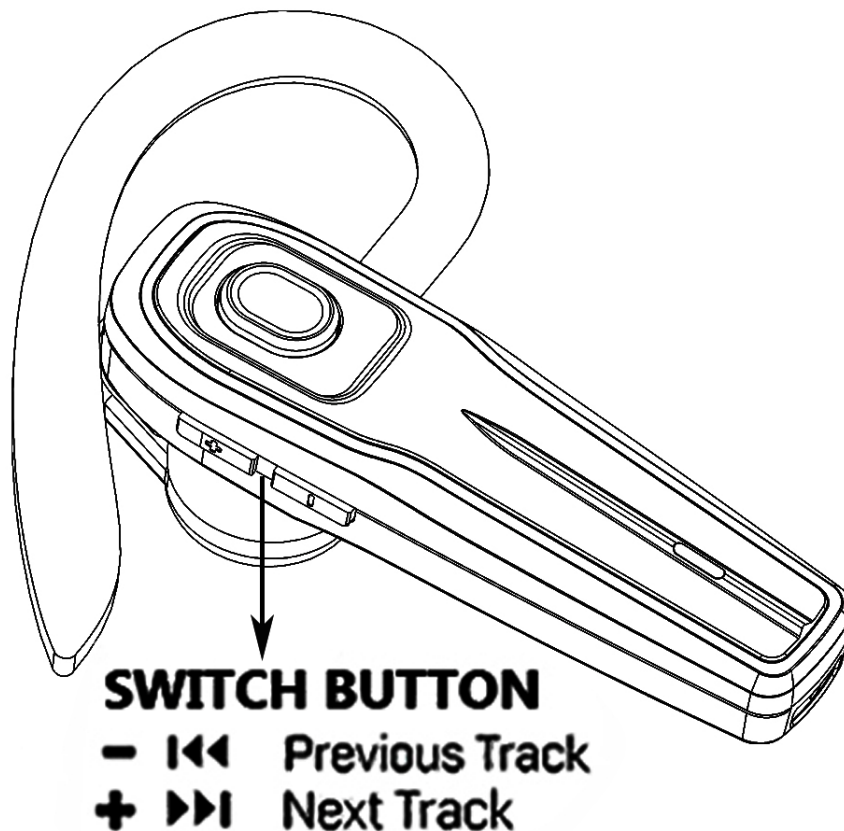


During Music playing or voice calls, shortly tap the button “+” or “-” can adjust voice volume.

- ✧ Shortly tap “+” button for once, volume will increase a little, tap continually can get the volume increased continually, you get the highest voice when you hear a “BIP”.
- ✧ Shortly tap “-” button for once,

volume will decrease a little, tap continually can get the volume decrease continually, you get the lowest voice when you hear a “BIP” .

## 7. HOW TO SWITCH SONGS



During Music Playing, tap and hold the Volume button can switch forward/backward songs.

✧ Tap the volume button “-”

and hold for 4secs, you will hear a “BIP” and then forward to next song.

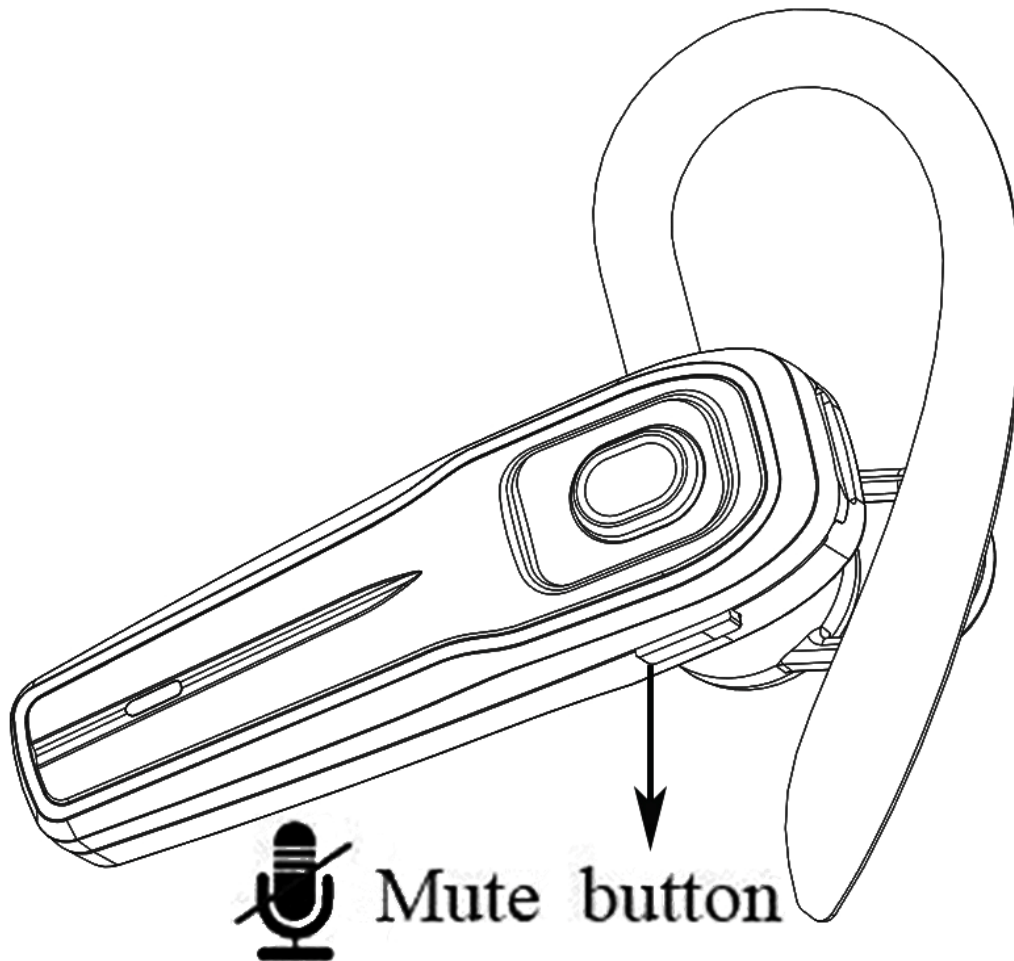
- ✧ Tap the volume button “+” and hold for 4secs, you will hear a “BIP” and then backward to previous song.

## 8. HOW TO MUTE DURING CALL

During phone calls, click the mute button can enable/disable mute function.

- ✧ Click the mute button you will get voice prompt “mute on” , voice “mute” will prompt every 2 minutes when keep in mute state.

- ✧ Click again the mute button you will get voice prompt “mute off” means unmuted.



## 10.USER GUIDE SUMMARY

FUNCTION	STEP
Power On/Pair	Press and hold the “MFB” for 2 secs
Power off	Press and hold the “MFB” for 6 secs
Answer Call	Click the <b>Multifunction</b> button

End Call	Click the <b>Multifunction</b> button
Reject call	Press and hold the <b>Multifunction</b> button for 3 secs
Activate voice dialing (phone dependent)	Refer to Section 9.
Redial last number	Double-click the <b>Multifunction</b> button
Adjust the volume	Refer to section 6
Play or pause streaming audio	Click the <b>Multifunction</b> button
Play next or back streaming audio	Refer to section 7
Restore to factory settings	Press and hold the <b>Multifunction</b> button for 3 secs when charging.

## **11. Q&A**

**Q Why do I have crackling noise?**

A Bluetooth is a radio technology that is sensitive to objects between the headset and the connected device. Ensure the headset and the connected device are within range (up to 10 meters or 33 feet).

**Q What is the range of the headset?**

A This Bluetooth Headset supports the following maximum ranges: 10m/33ft.

**Q Why can't I hear anything?**

A You might need to increase the speaker volume, or ensure that the headset is connected to a device.

**Q Why couldn't my headset connect with the device?**



A Check your device's Bluetooth menu and delete/forget the headset. Re-connect the headset to your Bluetooth device following the Bluetooth connection instructions(Section 5).

**Q How to take care of my headset?**

A Recommend to power off the headset and put it in storage case when not use.

Avoid storage at extreme temperatures (above 35°C/95°F or below -20°C/-4°F). It will shorten battery life and may affect headset operation.

Do not expose the headset to rain or other liquids.

## **12. TECHNICAL SPECIFICATIONS**

<b>Wireless Headset</b>	<b>SPECIFICATION</b>
Weight:	0.56ounces
Dimensions:	3.15 * 1.96 * 0.69 inches
Microphones:	Omni-directional mic
Speaker:	Dynamic speaker
Operating range:	10 m (33 ft)
Bluetooth version:	4.1
Paired devices:	1 to 2 at the same time
Supported Bluetooth profiles:	A2DP(v1.2), Hands Free Profile (v1.6), Headset profile(v1.2)
Talk time:	Up to 6 hours
Data Encryption:	128 bits encrypted
Standby time:	Up to 120 hours
Operating temperature:	-10°C to 55°C (14°F to 131°F)
Storage temperature:	-20° C to 35° C (-4 F to 95 F)
Pairing passkey or PIN:	0000

## FCC Requirement

This device complies with part 15 of the FCC Rules. Operation is subject to the following two conditions: (1) This device may not cause harmful interference, and (2) this device must accept any interference received, including interference that may cause undesired operation.

Any changes or modifications not expressly approved by the party responsible for compliance could void the user's authority to operate the equipment.

NOTE: This equipment has been tested and found to comply with the limits for a Class B digital device, pursuant to Part 15 of the FCC Rules. These limits are designed to provide reasonable protection against harmful interference in a residential installation. This equipment generates, uses and can radiate radio frequency energy and, if not installed and used in accordance with the instructions, may cause harmful interference to radio communications. However, there is no guarantee that interference will not occur in a particular installation.

If this equipment does cause harmful interference to radio or television reception, which can be determined by turning the equipment off and on, the user is encouraged to try to correct the interference by one or more of the following measures:

- Reorient or relocate the receiving antenna.
- Increase the separation between the equipment and receiver.
- Connect the equipment into an outlet on a circuit different from that to which the receiver is connected.
- Consult the dealer or an experienced radio/TV technician for help.

The device has been evaluated to meet general RF exposure requirement. The device can be used in portable exposure condition without restriction.

FCC ID: 2ALXX-SEED