



MUZEN Cyber Cube Portable Bluetooth Speaker

General Product Manual for Standard version and Premium version

Welcome to the MUZEN Family! Thanks for choosing us to accompany you on your life adventure. Please read this manual carefully and make sure to follow the relevant safety instructions before using it.

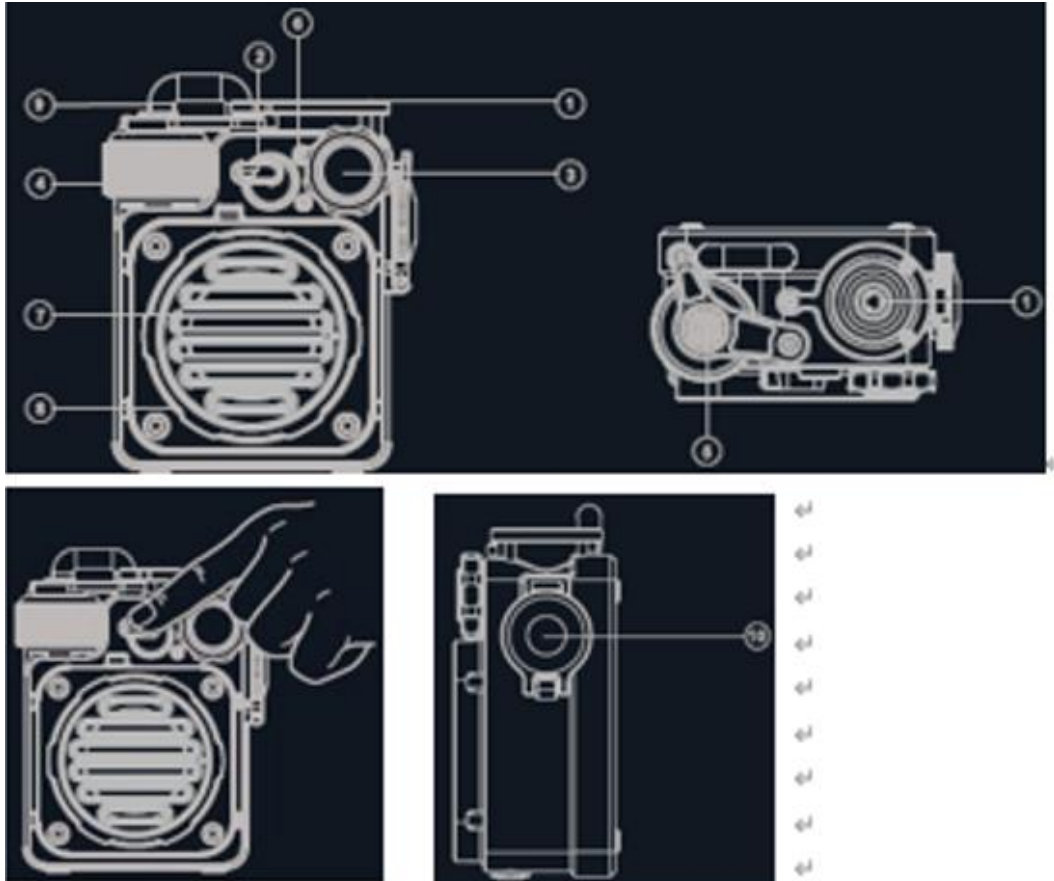
MUZEN Audio launches Cyber Cube, a high-performance trendy portable bluetooth speaker, based on the aesthetics of the new generation and the concept of humanistic technology. The MUZEN Cyber Cube Bluetooth speaker with lighting effects adheres to the company's design philosophy of "Aesthetically pleasing, Great sound, User-friendly and Entertaining". It is our eternal pursuit to make you enjoy the music and sound contents easier and better. Welcome to explore your Cyber Cube with impressive sound and visual experience.

Tips:

This product is battery-powered, and you could use Type-C cable to charge it. For a better experience, please charge it for about two hours with it powered off before first-time use.

Packing List	
1	Speaker * 1
2	Product manual * 1
3	Type C charging cable *1

Speaker Operating Instructions



1 Bluetooth Indicator/Flashlight Window:

Fast flashing warm white light: Ready for Bluetooth pairing

Slow breathing warm white light: Bluetooth connected

Steady white light: Flashlight on

2 Power Switch/Flashlight Control:

Power-on: Rotate counterclockwise and then hold for 3s

Power-off: Rotate counterclockwise (when device is on) and then hold for 3s

Bluetooth reset: Rotate clockwise and then hold for 3s

Flashlight on/off: Long press the power switch

Flashlight mode (strong light - weak light - SOS) switch: Short press the power switch

3 Track Switch:

Last track: Rotate counterclockwise

Next track: Rotate clockwise

Pause/Play: Short press

4 Volume Knob:

Volume up: Rotate counterclockwise

Volume down: Rotate clockwise

5 Light Effects Button/Control:

Turn on/off light effects: long press

Light Effects control (gradual light -> breathing light-> > permanent light): short press

6 Loudspeaker: For playing music.

(**Note: Fragile part. Please do not press this position hard.)

7 Light Effect Ring: For light effects display

8 Strap hole:

Used for installing a strap.

9 charging port:

Located under the cover for charging the device, Type C port.

While Charging: red light

Fully charged: green light

10 (For Premium Version Only) Fidget Spinner: Fingertip rotatable spinner, palm plaything

Product Features

A futuristic design that blends mechanics and space

Subvert the traditional speaker design and feel the beauty of machinery.

Design inspired by space futurism, every single painting detail makes sense.

Music on your hand with palm size, delicate and cool

Surprisingly good sound and light effects

Small plaything, great attention to detail and performance. Within square inch, the outbreak of sounds is surprising.

MUZEN Cyber Cube portable Bluetooth speaker, once again dedicated to the amazing sound.

Cool futuristic light effect design.

Simple control with sentiments

Simple control experiences with MUZEN knob designs and Bluetooth fast connection. By rotating, clicking, pressing, enjoy the music at your fingertips.

Hardware Parameters

Product model: MW-PVXLI

Product size:

Standard Version: 60.8 mm (L) × 36.8 mm (W) × 77.9 mm (H)/2.4 in (L) × 1.5 in (W) × 3.1in(H)

Premium Version: 60.8 mm (L) × 41.2 mm (W) × 77.9 mm (H)/2.4 in (L) × 1.6 in (W) × 3.1in(H)

Net weight:

Standard Version: About 230 g/0.51lbs

Premium Version: About 245 g/0.54lbs

Bluetooth Version: 5.0

Bluetooth transmission range: distance ≤ 10 m/32.8ft

Loudspeaker: 4Ω 5W

Amplifier power: 5W

SNR: > 70 dB

System frequency response: 80 Hz-18 kHz

Battery: 3.7V/1000mAh

Charging port: Type C

Charging voltage: DC 5V --- 1A

Important Notes

For your safety, please read the following instructions carefully and comply with them:

1. The manufacturer reserves the right to modify or adjust the specifications and details of the product without notifying users.
2. Please use the product in a dry environment wherever possible.
3. The product should not be placed near or in contact with exposed sources of fire.
4. IPX5-rated, the product is protected against rain.
5. This product can be used normally with the ambient temperature of 0–45°C. Do not use it outside of this range.
6. Do not modify, repair or dismantle this product without authorization.
7. Note that if the battery is not replaced properly, it may explode. Only the same or equivalent type of battery can be used for replacement.

The device has been evaluated to meet general RF exposure requirement. The device can be used in portable exposure condition without restriction Federal Communication Commission (FCC) Radiation Exposure Statement Power is so low that no RF exposure calculation is needed.

This product can be used across EU member states



Important Safety Instructions

- 1) Read these instructions.
- 2) Keep these instructions.
- 3) Heed all warnings.
- 4) Follow all instructions
- 5) Clean only with dry cloth.
- 6) Do not block any ventilation openings. Install in accordance with the manufacturer's instructions.

- 7) Do not install near any heat sources such as radiators, heat registers, stoves, or other apparatus (including amplifiers) that produce heat.
- 8) CAUTION RISK OF EXPOSION IF BATTERY IS REPLACED BY AN INCORRECT TYPE.
DISPOSE OF USED BATTERIES ACCORDING TO THE INSTRUCTIONS.

Maintenance Regulations

Limited warranty: one year.

For warranty details, please visit www.muzenaudio.com or contact our local distributors.

Email: info@muzenaudio.com

Manufacturer: Shenzhen Airmart Technology Co., Ltd.

Address: Unit 616, Ant's Union Start-up Accelerator, No.9, Keji Road, Nanshan Science and Technology Park, Yuehai Sub-district, Nanshan District, Shenzhen

NOTE: This equipment has been tested and found to comply with the limits for a Class B digital device, pursuant to part 15 of the FCC Rules. These limits are designed to provide reasonable protection against harmful interference in a residential installation. This equipment generates uses and can radiate radio frequency energy and, if not installed and used in accordance with the instructions, may cause harmful interference to radio communications. However, there is no guarantee that interference will not occur in a particular installation. If this equipment does cause harmful interference to radio or television reception, which can be determined by turning the equipment off and on, the user is encouraged to try to correct the interference by one or more of the following measures:

- Reorient or relocate the receiving antenna.
- Increase the separation between the equipment and receiver.
- Connect the equipment into an outlet on a circuit different from that to which the receiver is connected.
- Consult the dealer or an experienced radio/TV technician for help

Changes or modifications not expressly approved by the party responsible for compliance could void the user's authority to operate the equipment.

This device complies with Part 15 of the FCC Rules. Operation is subject to the following two conditions:

(1) this device may not cause harmful interference, and (2) this device must accept any interference received, including interference that may cause undesired operation.

This device contains licence-exempt transmitter(s)/receiver(s) that comply with Innovation, Science and Economic Development Canada's licence-exempt RSS(s). Operation is subject to the following two conditions:

(1) This device may not cause interference.

(2) This device must accept any interference, including interference that may cause undesired operation of the device.

L'émetteur/récepteur exempt de licence contenu dans le présent appareil est conforme aux CNR d'Innovation, Sciences et Développement économique Canada applicables aux appareils radio exempts de licence. L'exploitation est autorisée aux deux conditions suivantes :

(1) L'appareil ne doit pas produire de brouillage;

(2) L'appareil doit accepter tout brouillage radioélectrique subi, même si le brouillage est susceptible d'en compromettre le fonctionnement.