



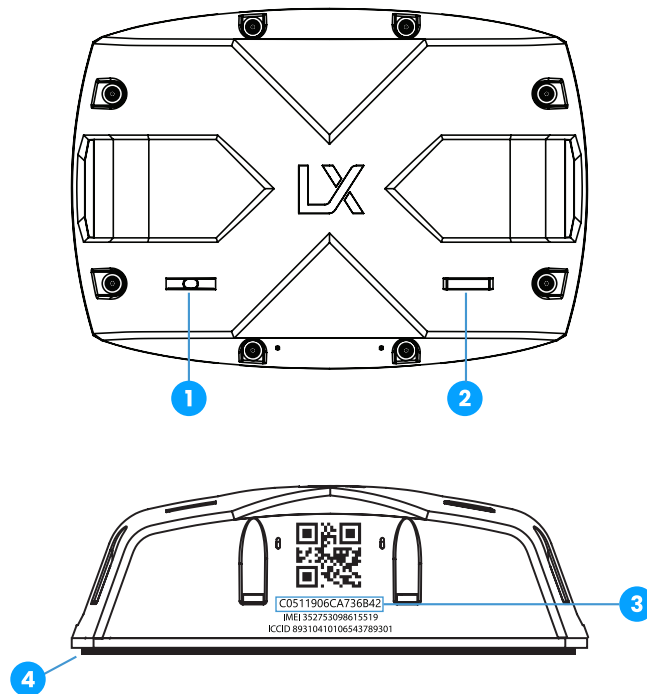
For help visit incyt by LX
incyt.io/support

Copyright 2020 LX Corporation Pty Ltd. All rights reserved.

Apple and the Apple Logo are trademarks of Apple Inc., registered in the U.S. and other countries. App Store is a service mark of Apple Inc., registered in the U.S. and other countries.

Google Play and the Google Play logo are trademarks of Google Inc.

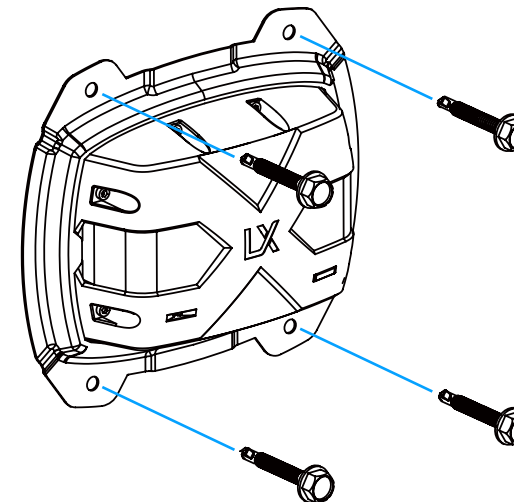
Product Overview



- 1 Environmental Sensing Port (Polaris Sense model only)
- 2 LED
- 3 Device ID
- 4 VHB Tape

Security Bracket

For installation scenarios where the device may encounter vibration, or be exposed to tampering, mount using the security bracket accessory (purchased separately from incyt.io).



Safety and compliance

Ensure installation complies with all relevant local regulations and requirements.

Troubleshooting

Further installation, activation and troubleshooting information is available at incyt.io/support



Polaris
Quick Start Guide



Getting Started

1. Download the Incyt app on the iOS AppStore or Google Play store on your mobile device.



2. Create a new account or login with your existing account.
3. Follow instructions in the app to pair your device.
4. Follow the instructions on the next page to activate and mount your device.

FCC Statement

This equipment has been tested and found to comply with the limits for a Class B digital device, pursuant to part 15 of the FCC Rules. These limits are designed to provide reasonable protection against harmful interference in a residential installation. This equipment generates, uses and can radiate radio frequency energy and, if not installed and used in accordance with the instructions, may cause harmful interference to radio communications. However, there is no guarantee that interference will not occur in a particular installation. If this equipment does cause harmful interference to radio or television reception, which can be determined by turning the equipment off and on, the user is encouraged to try to correct the interference by one or more of the following measures:

- Reorient or relocate the receiving antenna.
- Increase the separation between the equipment and receiver.
- Connect the equipment into an outlet on a circuit different from that to which the receiver is connected.
- Consult the dealer or an experienced radio/TV technician for help.

Caution: Any changes or modifications to this device not explicitly approved by manufacturer could void your authority to operate this equipment.

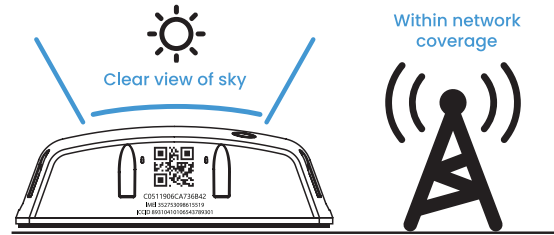
This device complies with part 15 of the FCC Rules. Operation is subject to the following two conditions: (1) This device may not cause harmful interference, and (2) this device must accept any interference received, including interference that may cause undesired operation.

Device Activation

- 1 The device is delivered in a dormant state. Activate before use by following the steps below.

Ensure the device is placed:

- outside
- with an unobstructed view of the sky, and
- within LTE-M or NB-IoT network coverage



- 2 Use the magnet included in the box to swipe over the LED on the device. The LED may start blinking white. Swipe a second time within 5 seconds. The LED will remain on for 5 seconds.

Note: If the LED turns ON for 3 seconds in a different colour, the device has already been activated.

- 3 The device will then attempt to connect to the Incyt platform for activation and configuration. This process, indicated by the LED blinking, may take several minutes. Once the device has successfully activated, the LED will remain white for 10 seconds and then turn off.

- 4 Refer to the **Incyt app dashboard** to ensure the device is connected.

Device Installation and Mounting

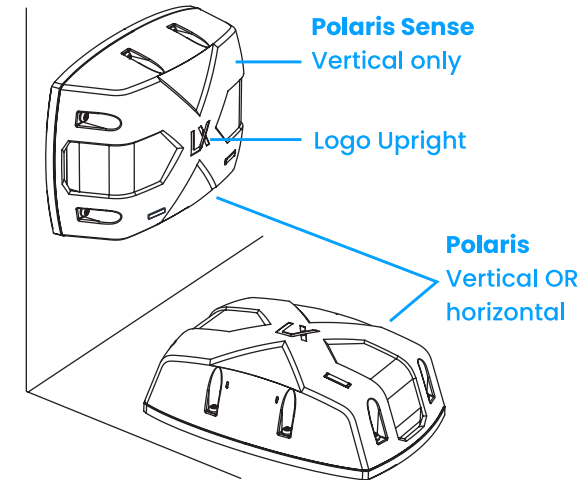
- 5 Select an appropriate location to mount your device. The most important factors to consider are:

• Exposure to environment

Although this device is rugged, protecting it from direct sunlight, rain, chemicals and dirt will extend its operational life. The environmental sensor port needs to be kept clean, dry and unobstructed to provide accurate sensor readings.

• Orientation

See the following diagrams for the mounting orientations of your specific device model



• Temperature

The recommended temperature range of this device is 5°C to 50°C. Use outside of this range may limit the device performance and functionality, and may reduce the battery and operational life of the device.

• Wireless network

This device uses multiple technologies for geo-location and communication with the Incyt platform. Installing the device in a location with unobstructed visibility to the sky/GPS satellites, and strong cellular connectivity, will ensure maximum performance and accuracy of the device.

- 6 Roughen smooth surfaces using a scouring pad or steel wool before application. Clean the mounting surface prior to installation by removing debris, and wiping using the alcohol wipe included.

- 7 Remove the VHB protective film, and press the device firmly against the mounting surface for 30 seconds to maximise adhesion.

Note: VHB adhesive will reach maximum bonding strength after 24 hours.

RF Exposure Information

This equipment complies with FCC radiation exposure limits set forth for an uncontrolled environment. This equipment should be installed and operated with minimum distance 20cm between the radiator and your body.