



FCC TEST REPORT FOR

LX PTY LTD

Enterprise Catm1 tracker

Test Model: ETCH1S

Additional Model No.: Please Refer to Page 7

Prepared for : LX PTY LTD
Address : Gate A, Level 1, 40-52 Talavera Rd, 2113 Macquarie Park, Australia

Prepared by : Shenzhen LCS Compliance Testing Laboratory Ltd.
Address : 101, 201 Bldg A & 301 Bldg C, Juji Industrial Park
Yabianxueziwei, Shajing Street, Baoan District, Shenzhen, 518000, China
Tel : (+86)755-82591330
Fax : (+86)755-82591332
Web : www.LCS-cert.com
Mail : webmaster@LCS-cert.com

Date of receipt of test sample : December 27, 2022
Number of tested samples : 2
Sample No. : A122722032-1, A122722032-2
Serial number : Prototype
Date of Test : December 27, 2022 ~ January 11, 2023
Date of Report : January 12, 2023





FCC PART 24/27TEST REPORT

FCC Part 24E/Part 27

Report Reference No.	LCSA122722032EC
FCC ID.	2ALVGETCH
Date of Issue	January 12, 2023
Testing Laboratory Name	Shenzhen LCS Compliance Testing Laboratory Ltd.
Address	101, 201 Bldg A & 301 Bldg C, Juji Industrial Park Yabianxueziwei, Shajing Street, Baoan District, Shenzhen, 518000, China
Applicant's name	LX PTY LTD
Address	Gate A, Level 1, 40-52 Talavera Rd, 2113 Macquarie Park, Australia
Test specification	FCC CFR Title 47 Part 2, Part 24E, Part 27
Standard	TIA-603-E: 2016
	KDB971168 D01 Power Meas License Digital Systems v03r01
Test Report Form No.	LCSEMC-1.0
TRF Originator	Shenzhen LCS Compliance Testing Laboratory Ltd.
Master TRF	Dated 2011-03
Shenzhen LCS Compliance Testing Laboratory Ltd. All rights reserved.	
This publication may be reproduced in whole or in part for non-commercial purposes as long as the Shenzhen LCS Compliance Testing Laboratory Ltd. is acknowledged as copyright owner and source of the material. Shenzhen LCS Compliance Testing Laboratory Ltd. takes no responsibility for and will not assume liability for damages resulting from the reader's interpretation of the reproduced material due to its placement and context.	
Test item description	Enterprise Catm1 tracker
Trade Mark	N/A
Test Model	ETCH1S
Modulation Type	QPSK,16QAM
Rating	Input: DC 3.6V, 2A Max
Hardware version	V5
Software version	V1.11.3.0
Result	PASS

Compiled by:

Vera Deng/ Administrator

Supervised by:

Cary Luo/ Technique principal

Approved by:

Gavin Liang/ Manager





TEST REPORT

Test Report No. : LCSA122722032EC	January 12, 2023 Date of issue
---	-----------------------------------

EUT.....	: Enterprise Catm1 tracker
Test Model.....	: ETCH1S
Applicant.....	: LX PTY LTD
Address.....	: Gate A, Level 1, 40-52 Talavera Rd, 2113 Macquarie Park, Australia
Telephone.....	: /
Fax.....	: /
Manufacturer.....	: LX PTY LTD
Address.....	: Gate A, Level 1, 40-52 Talavera Rd, 2113 Macquarie Park, Australia
Telephone.....	: /
Fax.....	: /
Factory.....	: Sichuan Changhong Network Technologies Co.,Ltd.
Address.....	: G05 Factory Premises, Changhong Intelligent Display Terminal Industrial Park, 38, Xinping Avenue, High-tech District, Mianyang 621000, P. R. China
Telephone.....	: /
Fax.....	: /

Test Result:	PASS
---------------------	-------------

The test report merely corresponds to the test sample.
It is not permitted to copy extracts of these test result without the written permission of the test laboratory.





Revision History

Report Version	Issue Date	Revision Content	Revised By
000	January 12, 2023	Initial Issue	---





Contents

1	<u>TEST STANDARDS</u>	6
2	<u>SUMMARY</u>	7
2.1	Product Description	7
2.2	Equipment under Test	9
2.3	Short description of the Equipment under Test (EUT)	9
2.4	Normal Accessory setting	9
2.5	Test Sample	9
2.6	EUT configuration	9
2.7	Related Submittal(s) / Grant (s)	10
2.8	Modifications	10
2.9	General Test Conditions/Configurations	10
3	<u>TEST ENVIRONMENT</u>	11
3.1	Address of the test laboratory	11
3.2	Test Facility	11
3.3	Environmental conditions	11
3.4	Test Description	11
3.5	Equipments Used during the Test	13
3.6	Measurement uncertainty	14
4	<u>TEST CONDITIONS AND RESULTS</u>	15
4.1	Output Power	15
4.2	Peak-to-Average Ratio (PAR)	21
4.3	Occupied Bandwidth and Emission Bandwidth	22
4.4	Band Edge compliance	23
4.5	Spurious Emssion on Antenna Port	24
4.6	Radiated Spurious Emssion	25
4.7	Frequency Stability under Temperature & Voltage Variations	30
5	<u>TEST SETUP PHOTOS OF THE EUT</u>	33
6	<u>EXTERNAL PHOTOS OF THE EUT</u>	33
7	<u>INTERNAL PHOTOS OF THE EUT</u>	33





1 TEST STANDARDS

The tests were performed according to following standards:

[FCC Part 24E](#): Broadband PCS

[FCC Part 27](#): MISCELLANEOUS WIRELESS COMMUNICATIONS SERVICES

[TIA-603-E March 2016](#): Land Mobile FM or PM Communications Equipment Measurement and Performance Standards.

[47 CFR FCC Part 15 Subpart B](#): Unintentional Radiators

[FCC Part 2](#): FREQUENCY ALLOCATIONS AND RADIO TREATY MATTERS; GENERAL RULES AND REGULATIONS

[ANSI C63.4:2014](#): Methods of Measurement of Radio-Noise Emissions from Low-Voltage Electrical and Electronic Equipment in the Range of 9 kHz to 40 GHz

[FCC KDB971168 D01](#) Power Meas License Digital Systems v03r01



Shenzhen LCS Compliance Testing Laboratory Ltd.

Add: 101, 201 Bldg A & 301 Bldg C, Juji Industrial Park Yabianxueziwei, Shajing Street, Baoan District, Shenzhen, 518000, China

Tel: +(86) 0755-82591330 | E-mail: webmaster@lcs-cert.com | Web: www.lcs-cert.com

Scan code to check authenticity



2 SUMMARY

2.1 Product Description

The **LX PTY LTD**'s Model: ETCH1S or the "EUT" as referred to in this report; more general information as follows, for more details, refer to the user's manual of the EUT.

EUT	: Enterprise Catm1 tracker
Test Model	: ETCH1S
Additional Model No.	: ETCH1A, ETCH2A, ETCH2S, ETCH1A-GW, ETCH2A-GW, ETCH1S-GW, ETCH2S-GW
Model Declaration	: ETCH1A and ETCH1A-GW(without SI7055 temperature sensor),ETCH2A and ETCH2A-GW (with SI7055 temperature sensor), ETCH1S and ETCh1S-GW (with SI7020 temperature and humidity sensor), ETCH2S and ETCH2S-GW (with BME680 temperature and humidity sensor),the appearance screen printing of all models is different. the others are the same, these models were tested for EMC differences and only the worst model(ETCH1S) data was recorded in the report
Power Supply	: Input: DC 3.6V, 2A Max
Hardware Version	: V5
Software Version	: V1.11.3.0
Bluetooth	:
Frequency Range	: 2402MHz~2480MHz
Channel Number	: 40 channels for Bluetooth V5.0(DTS)
Channel Spacing	: 2MHz for Bluetooth V5.0(DTS)
Modulation Type	: GFSK for Bluetooth V5.0(DTS)
Bluetooth Version	: V5.0
Antenna Description	: PCB Antenna, 0.9dBi(Max.)
WIFI(2.4G Band)	:
Frequency Range	: 2412MHz~2462MHz
Channel Spacing	: 5MHz
Channel Number	: 11 Channels for 20MHz bandwidth (2412~2462MHz)
Modulation Type	: IEEE 802.11b: DSSS (CCK, DQPSK, DBPSK) IEEE 802.11g: OFDM (64QAM, 16QAM, QPSK, BPSK) IEEE 802.11n: OFDM (64QAM, 16QAM, QPSK, BPSK)
Antenna Description	: PCB Antenna, 0.75dBi(Max.)
LTE	:
Support Band	: <input checked="" type="checkbox"/> E-UTRA Band 12(U.S.-Band) <input checked="" type="checkbox"/> E-UTRA Band 25(U.S.-Band)
LTE Release Version	: R8
Type Of Modulation	: QPSK/16QAM
Antenna Description	: Internal Antenna 0.95dBi (max.) For E-UTRA Band 12 2.9dBi (max.) For E-UTRA Band 25
Power Class	: Class 3
GPS function	: Support and only RX
Extreme temp.	: -30°C to +50°C



Shenzhen LCS Compliance Testing Laboratory Ltd.

Add: 101, 201 Bldg A & 301 Bldg C, Juji Industrial Park Yabianxueziwei, Shajing Street, Baoan District, Shenzhen, 518000, China

Tel: +(86) 0755-82591330 | E-mail: webmaster@lcs-cert.com | Web: www.lcs-cert.com

Scan code to check authenticity



Tolerance

Extreme vol. Limits : 3.24VDC to 3.96VDC (nominal: 3.6VDC)





2.2 Equipment under Test

Power supply system utilised

Power supply voltage	:	<input type="radio"/> 120V/ 60 Hz	<input type="radio"/> 115V/60Hz
		<input type="radio"/> 12 V DC	<input type="radio"/> 24 V DC
		<input checked="" type="radio"/> Other (specified in blank below); DC 3.6V	

2.3 Short description of the Equipment under Test (EUT)

2.4.1 GeneralDescription

ETCH1S is subscriber equipment in the BLE/2.4GWIFI/LTE/GPS system. LTE frequency band is band 12/25. The ETCH1S implements such functions as RF signal receiving/transmitting, LTE protocol processing and etc. Externally it provides SIM card interface.

2.4 Normal Accessory setting

Fully charged battery was used during the test.

2.5 Test Sample

The application provides 2 samples to meet requirement;

Sample Number	Description
Sample 1(A122722032-1)	Engineer sample – continuous transmit
Sample 2(A122722032-2)	Normal sample – Intermittent transmit

2.6 EUT configuration

The following peripheral devices and interface cables were connected during the measurement:

- - supplied by the manufacturer
- - supplied by the lab

<input type="radio"/>	Power Cable	Length (m) :	/
		Shield :	/
		Detachable :	/
<input type="radio"/>	Multimeter	Manufacturer :	/
		Model No. :	/





2.7 Related Submittal(s) / Grant (s)

This submittal(s) (test report) is intended for FCC ID: 2ALVGETCH filing to comply with Part 24, Part 27 Rules

2.8 Modifications

No modifications were implemented to meet testing criteria.

2.9 General Test Conditions/Configurations

2.9.1 Test Environment

EnvironmentParameter	SelectedValuesDuringTests	
Relative Humidity	Ambient	
Temperature	TN	Ambient
Voltage	VL	DC 3.24V
	VN	DC 3.6V
	VH	DC 3.96V

NOTE:VL=lower extreme testvoltage VN=nominal voltage
VH=upper extreme testvoltage TN=normal temperature





3 TEST ENVIRONMENT

3.1 Address of the test laboratory

Shenzhen LCS Compliance Testing Laboratory Ltd

101, 201 Bldg A & 301 Bldg C, Juji Industrial Park Yabianxueziwei, Shajing Street, Baoan District, Shenzhen, 518000, China

The sites are constructed in conformance with the requirements of ANSI C63.4 (2014) and CISPR Publication 22.

3.2 Test Facility

The test facility is recognized, certified, or accredited by the following organizations:

NVLAP Accreditation Code is 600167-0.

FCC Designation Number is CN5024.

CAB identifier is CN0071.

CNAS Registration Number is L4595.

3.3 Environmental conditions

During the measurement the environmental conditions were within the listed ranges:

Temperature:	15-35 ° C
Humidity:	30-60 %
Atmospheric pressure:	950-1050mbar

3.4 Test Description

Band 12 (699-716MHz paired with 729-746MHz)

Test Item	FCC Rule No.	Requirements	Verdict
Effective(Isotropic) Radiated Power Output Data	§2.1046, §27.50(c)	ERP ≤ 3W;	PASS
Peak-Average Ratio	§2.1046, §27.50(c)	Limit≤13dB	PASS
Modulation Characteristics	§2.1047	Digitalmodulation	N/A
Bandwidth	§2.1049	OBW: Nolimit. EBW: Nolimit.	PASS
BandEdges Compliance	§2.1051, §27.53(g)	≤ -13dBm/1%*EBW, in1 MHz bands immediately outside and adjacent to The frequency block.	PASS
Spurious Emission at Antenna Terminals	§2.1051, §27.53(g)	≤ -13dBm/100KHz, from 9kHz to10th harmonics but outside authorized Operating frequency ranges.	PASS
Frequency Stability	§2.1055, §27.54	Within authorized bands of operation/frequency block.	PASS
Radiatedspurious emission	§2.1053, §27.53(g)	≤ -13dBm/100KHz.	PASS

NOTE 1:For the verdict, the"N/A"denotes"not applicable",the"N/T"de notes "not tested".



Shenzhen LCS Compliance Testing Laboratory Ltd.

Add: 101, 201 Bldg A & 301 Bldg C, Juji Industrial Park Yabianxueziwei, Shajing Street, Baoan District, Shenzhen, 518000, China

Tel: +(86) 0755-82591330 | E-mail: webmaster@lcs-cert.com | Web: www.lcs-cert.com

Scan code to check authenticity

**Band 25(1850-1915MHz pairedwith 1930-1995MHz)**

Test Item	FCC Rule No.	Requirements	Verdict
Effective(Isotropic) Radiated Power Output Data	§2.1046, §24.232	ERP ≤ 2W;	PASS
Peak-Average Ratio	§2.1046, §24.232	Limit≤13dB	PASS
Modulation Characteristics	§2.1047	Digitalmodulation	N/A
Bandwidth	§2.1049	OBW: Nolimit. EBW: Nolimit.	PASS
BandEdges Compliance	§2.1051, §24.238	≤ -13dBm/1%*EBW, in1 MHz bands immediately outside and adjacent to The frequency block.	PASS
Spurious Emission at Antenna Terminals	§2.1051, §24.238	≤ -13dBm/100KHz, from 9kHz to10th harmonics but outside authorized Operating frequency ranges.	PASS
Frequency Stability	§2.1053, §24.238	Within authorized bands of operation/frequency block.	PASS
Radiated spurious emission	§2.1055, §24.235	≤ -13dBm/100KHz.	PASS

NOTE 1:For the verdict, the“N/A”denotes“not applicable”,the“N/T”de notes “not tested”.





3.5 Equipments Used during the Test

Item	Equipment	Manufacturer	Model No.	Serial No.	Cal Date	Due Date
1	Power Meter	R&S	NRVS	100444	2022-06-16	2023-06-15
2	Power Sensor	R&S	NRV-Z81	100458	2022-06-16	2023-06-15
3	Power Sensor	R&S	NRV-Z32	10057	2022-06-16	2023-06-15
4	LTE Test Software	Tonscend	JS1120-1	N/A	N/A	N/A
5	RF Control Unit	Tonscend	JS0806-1	158060009	2022-10-29	2023-10-28
6	MXA Signal Analyzer	Agilent	N9020A	MY51250905	2022-10-29	2023-10-28
7	WIDEBAND RADIO COMMUNICATION TESTER	R&S	CMW 500	103818	2022-06-16	2023-06-15
8	DC Power Supply	Agilent	E3642A	N/A	2022-10-29	2023-10-28
9	EMI Test Software	AUDIX	E3	/	N/A	N/A
10	3m Semi Anechoic Chamber	SIDT FRANKONIA	SAC-3M	03CH03-HY	2022-06-16	2023-06-15
11	Positioning Controller	Max-Full	MF7802BS	MF780208586	N/A	N/A
12	Active Loop Antenna	SCHWARZBECK	FMZB 1519B	00005	2021-08-29	2024-08-28
13	By-log Antenna	SCHWARZBECK	VULB9163	9163-470	2021-09-12	2024-09-11
14	Horn Antenna	SCHWARZBECK	BBHA 9120D	9120D-1925	2021-09-05	2024-09-04
15	Broadband Horn Antenna	SCHWARZBECK	BBHA 9170	791	2021-08-29	2024-08-28
16	Broadband Preamplifier	SCHWARZBECK	BBV9719	9719-025	2022-06-16	2023-06-15
17	EMI Test Receiver	R&S	ESR 7	101181	2022-06-16	2023-06-15
18	RS SPECTRUM ANALYZER	R&S	FSP40	100503	2022-10-29	2023-10-28
19	Broadband Preamplifier	/	BP-01M18G	P190501	2022-06-16	2023-06-15
20	6dB Attenuator	/	100W/6dB	1172040	2022-06-16	2023-06-15
21	3dB Attenuator	/	2N-3dB	/	2022-10-29	2023-10-28
22	Temperature & Humidity Chamber	GUANGZHOU GOGNWEN	GDS-100	70932	2022-10-06	2023-10-05
23	EMI Test Software	Farad	EZ	/	N/A	N/A



Shenzhen LCS Compliance Testing Laboratory Ltd.

Add: 101, 201 Bldg A & 301 Bldg C, Juji Industrial Park Yabianxueziwei, Shajing Street, Baoan District, Shenzhen, 518000, China

Tel: +(86) 0755-82591330 | E-mail: webmaster@lcs-cert.com | Web: www.lcs-cert.com

Scan code to check authenticity



3.6 Measurement uncertainty

The data and results referenced in this document are true and accurate. The reader is cautioned that there may be errors within the calibration limits of the equipment and facilities. The measurement uncertainty was calculated for all measurements listed in this test report acc. to ETSI TR 100 028“Electromagnetic compatibility and Radio spectrum Matters (ERM);Uncertainties in the measurement of mobile radio equipment characteristics” and is documented in the Shenzhen LCS Compliance Testing Laboratory Ltd. quality system acc. to DIN EN ISO/IEC 17025. Furthermore, component and process variability of devices similar to that tested may result in additional deviation. The manufacturer has the sole responsibility of continued compliance of the device.

Hereafter the best measurement capability for Shenzhen LCS Compliance Testing Laboratory Ltd. is reported:

Test	Range	Measurement Uncertainty	Notes
Radiated Emission	30~1000MHz	3.10 dB	(1)
Radiated Emission	1~18GHz	3.80 dB	(1)
Radiated Emission	18-40GHz	3.90 dB	(1)
Conducted Disturbance	0.15~30MHz	1.63 dB	(1)
Conducted Power	9KHz~18GHz	0.61 dB	(1)
Spurious RF Conducted Emission	9KHz~40GHz	1.22 dB	(1)
Band Edge Compliance of RF Emission	9KHz~40GHz	1.22 dB	(1)
Occupied Bandwidth	9KHz~40GHz	-	(1)

(1) This uncertainty represents an expanded uncertainty expressed at approximately the 95% confidence level using a coverage factor of k=1.96.





4 TEST CONDITIONS AND RESULTS

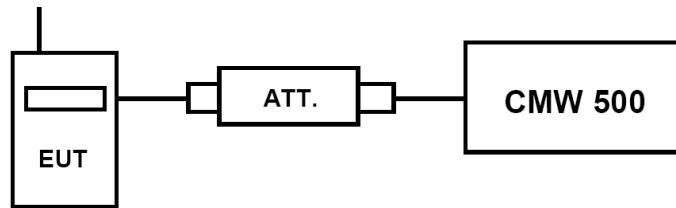
4.1 Output Power

TEST APPLICABLE

During the process of testing, the EUT was controlled via R&S Digital Radio Communication tester (CMW 500) to ensure max power transmission and proper modulation. This result contains output power and EIRP measurements for the EUT. In all cases, output power is within the specified limits.

4.1.1. Conducted Output Power

TEST CONFIGURATION



TEST PROCEDURE

Conducted Power Measurement:

- Place the EUT on a bench and set it in transmitting mode.
- Connect a low loss RF cable from the antenna port to a CMW 500 by an Att.
- EUT Communicate with CMW 500 then selects a channel for testing.
- Add a correction factor to the display CMW 500, and then test.

TEST RESULTS

Remark:

- We were tested all RB Configuration refer 3GPP TS136 521 for each Channel Bandwidth of LTE FDD Band 12, LTE FDD Band 25.*
- For E-UTRA Band 12, please refer to Appendix C: Section C.1*
- For E-UTRA Band 25, please refer to Appendix D: Section D.1*



4.1.2. Radiated Output Power

LIMIT

This is the test for the maximum radiated power from the EUT.

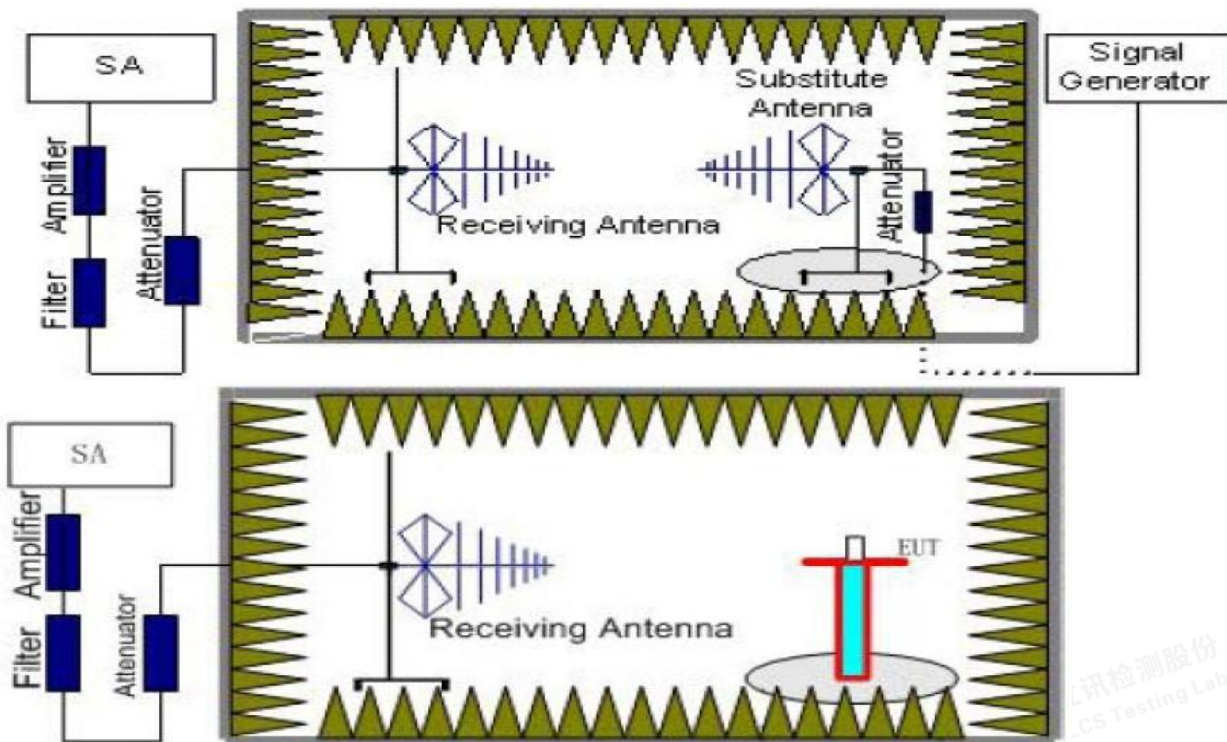
Rule Part 24.232(c) specifies, "Mobile/portable stations are limited to 2 watts e.i.r.p. Peak power" and 24.232(e) specifies that "Peak transmit power must be measured over any interval of continuous transmission using instrumentation calibrated in terms of an rms-equivalent voltage."

Per Part 27.50(d) (4) specifies, Fixed, mobile, and portable (hand-held) stations operating in the 1710-1755MHz band are limited to 1W EIRP. Fixed stations operating in this band are limited to a maximum antenna height of 10 meters above ground. Mobile and portable stations operating in this band must employ a means for limiting power to the minimum necessary for successful communications.

Per Part 27.50(c) (10) specifies, Portable stations (hand-held devices) in the 600 MHz uplink band and the 698-746 MHz band, and fixed and mobile stations in the 600 MHz uplink band are limited to 3 watts ERP.

Per Part 27.50(h) (2) specifies Mobile and other user stations. Mobile stations are limited to 2.0 watts EIRP. All user stations are limited to 2.0 watts transmitter output power

TEST CONFIGURATION



TEST PROCEDURE

1. EUT was placed on a 1.50 meter high non-conductive stand at a 3 meter test distance from the receive antenna. A receiving antenna was placed on the antenna mast 3 meters from the EUT for emission measurements. The height of receiving antenna is 1.50m. Detected emissions were maximized at each frequency by rotating the EUT through 360° and adjusting the receiving antenna polarization. The radiated emission measurements of all transmit frequencies in three channels (High, Middle, Low) were measured with peak detector.
2. A log-periodic antenna or double-ridged waveguide horn antenna shall be substituted in place of the EUT. The log-periodic antenna will be driven by a signal generator and the level will be adjusted till the same power value on the spectrum analyzer or receiver. The level of the spurious emissions can be calculated through the level of the signal generator, cable loss, the gain of the substitution antenna and the reading of the spectrum analyzer or receiver.





3. The EUT is then put into continuously transmitting mode at its maximum power level during the test. Set Test Receiver or Spectrum RBW=1MHz,VBW=3MHz, And the maximum value of the receiver should be recorded as (P_r).
4. The EUT shall be replaced by a substitution antenna. In the chamber, an substitution antenna for the frequency band of interest is placed at the reference point of the chamber. An RF Signal source for the frequency band of interest is connected to the substitution antenna with a cable that has been constructed to not interfere with the radiation pattern of the antenna. A power (P_{Mea}) is applied to the input of the substitution antenna, and adjust the level of the signal generator output until the value of the receiver reach the previously recorded (P_r). The power of signal source (P_{Mea}) is recorded. The test should be performed by rotating the test item and adjusting the receiving antenna polarization.
5. A amplifier should be connected to the Signal Source output port. And the cable should be connect between the Amplifier and the Substitution Antenna. The cable loss (P_{cl}), the Substitution Antenna Gain (G_a) and the Amplifier Gain (P_{Ag}) should be recorded after test.
The measurement results are obtained as described below:
Power(EIRP)=P_{Mea}+ P_{Ag} - P_{cl} + G_a
6. This value is EIRP since the measurement is calibrated using an antenna of known gain (2.15 dBi) and known input power.
7. ERP can be calculated from EIRP by subtracting the gain of the dipole, ERP = EIRP-2.15dBi.

TEST RESULTS

Radiated Measurement:

Remark:

1. We were tested all RB Configuration refer 3GPP TS136 521 for each Channel Bandwidth of LTE FDD Band 12, LTE FDD Band 25.
2. $EIRP = P_{Mea}(dBm) - P_{cl}(dB) + P_{Ag}(dB) + G_a(dBi)$
3. $ERP = EIRP - 2.15dBi$ as EIRP by subtracting the gain of the dipole.
4. Margin = Emission Level - Limit
5. We tested the worst-case records for H and V directions, and only the worst-case records for V direction were recorded in the report.

LTE FDD Band 12_Channel Bandwidth 1.4MHz_QPSK

Frequency (MHz)	P _{Mea} (dBm)	P _{cl} (dB)	G _a Antenna Gain (dB)	P _{Ag} (dB)	Correction (dB)	Burst Avergae ERP (dBm)	Limit (dBm)	Margin (dB)	Polarization
699.70	-14.33	3.01	8.29	33.52	2.15	21.85	34.77	-12.92	V
707.50	-14.85	3.02	8.29	33.52	2.15	21.89	34.77	-12.88	V
715.30	-14.55	3.06	8.29	33.52	2.15	22.07	34.77	-12.70	V

LTE FDD Band 12_Channel Bandwidth 3MHz_QPSK

Frequency (MHz)	P _{Mea} (dBm)	P _{cl} (dB)	G _a Antenna Gain (dB)	P _{Ag} (dB)	Correction (dB)	Burst Avergae ERP (dBm)	Limit (dBm)	Margin (dB)	Polarization
700.50	-14.99	3.01	8.29	33.52	2.15	21.66	34.77	-13.11	V
707.50	-14.55	3.02	8.29	33.52	2.15	22.09	34.77	-12.68	V
714.50	-14.78	3.06	8.29	33.52	2.15	21.82	34.77	-12.95	V

LTE FDD Band 12_Channel Bandwidth 5MHz_QPSK

Frequency (MHz)	P _{Mea} (dBm)	P _{cl} (dB)	G _a Antenna Gain (dB)	P _{Ag} (dB)	Correction (dB)	Burst Avergae ERP (dBm)	Limit (dBm)	Margin (dB)	Polarization
701.50	-15.19	3.01	8.29	33.52	2.15	21.46	34.77	-13.31	V
707.50	-15.24	3.02	8.29	33.52	2.15	21.40	34.77	-13.37	V
713.50	-14.92	3.06	8.29	33.52	2.15	21.68	34.77	-13.09	V



*LTE FDD Band 12_Channel Bandwidth 10MHz_QPSK*

Frequency (MHz)	P _{Mea} (dBm)	P _{cl} (dB)	G _a Antenna Gain (dB)	P _{Aq} (dB)	Correction (dB)	Burst Average ERP (dBm)	Limit (dBm)	Margin (dB)	Polarization
704.00	-15.78	3.01	8.29	33.52	2.15	20.87	34.77	-13.90	V
707.50	-16.04	3.02	8.29	33.52	2.15	20.60	34.77	-14.17	V
711.00	-15.90	3.06	8.29	33.52	2.15	20.70	34.77	-14.07	V

LTE FDD Band 12_Channel Bandwidth 1.4MHz_16QAM

Frequency (MHz)	P _{Mea} (dBm)	P _{cl} (dB)	G _a Antenna Gain (dB)	P _{Aq} (dB)	Correction (dB)	Burst Average ERP (dBm)	Limit (dBm)	Margin (dB)	Polarization
699.70	-14.54	3.01	8.29	33.52	2.15	22.11	34.77	-12.66	V
707.50	-14.57	3.02	8.29	33.52	2.15	22.07	34.77	-12.70	V
715.30	-14.84	3.06	8.29	33.52	2.15	21.76	34.77	-13.01	V

LTE FDD Band 12_Channel Bandwidth 3MHz_16QAM

Frequency (MHz)	P _{Mea} (dBm)	P _{cl} (dB)	G _a Antenna Gain (dB)	P _{Aq} (dB)	Correction (dB)	Burst Average ERP (dBm)	Limit (dBm)	Margin (dB)	Polarization
700.50	-15.25	3.01	8.29	33.52	2.15	21.40	34.77	-13.37	V
707.50	-15.17	3.02	8.29	33.52	2.15	21.47	34.77	-13.30	V
714.50	-15.13	3.06	8.29	33.52	2.15	21.47	34.77	-13.30	V

LTE FDD Band 12_Channel Bandwidth 5MHz_16QAM

Frequency (MHz)	P _{Mea} (dBm)	P _{cl} (dB)	G _a Antenna Gain (dB)	P _{Aq} (dB)	Correction (dB)	Burst Average ERP (dBm)	Limit (dBm)	Margin (dB)	Polarization
701.50	-16.35	3.01	8.29	33.52	2.15	20.30	34.77	-14.47	V
707.50	-15.56	3.02	8.29	33.52	2.15	21.08	34.77	-13.69	V
713.50	-15.66	3.06	8.29	33.52	2.15	20.94	34.77	-13.83	V

LTE FDD Band 12_Channel Bandwidth 10MHz_16QAM

Frequency (MHz)	P _{Mea} (dBm)	P _{cl} (dB)	G _a Antenna Gain (dB)	P _{Aq} (dB)	Correction (dB)	Burst Average ERP (dBm)	Limit (dBm)	Margin (dB)	Polarization
704.00	-16.07	3.01	8.29	33.52	2.15	20.58	34.77	-14.19	V
707.50	-16.51	3.02	8.29	33.52	2.15	20.13	34.77	-14.64	V
711.00	-16.20	3.06	8.29	33.52	2.15	20.40	34.77	-14.37	V

LTE FDD Band 25_Channel Bandwidth 1.4MHz_QPSK

Frequency (MHz)	P _{Mea} (dBm)	P _{cl} (dB)	G _a Antenna Gain (dB)	P _{Aq} (dB)	Burst Average EIRP (dBm)	Limit (dBm)	Margin (dB)	Polarization
1850.7	-19.18	4.03	8.38	35.51	20.68	33.01	-12.33	V
1882.5	-17.12	4.08	8.33	35.56	22.69	33.01	-10.32	V
1914.3	-19.88	4.14	8.26	35.63	19.87	33.01	-13.14	V



Shenzhen LCS Compliance Testing Laboratory Ltd.

Add: 101, 201 Bldg A & 301 Bldg C, Juji Industrial Park Yabianxueziwei, Shajing Street, Baoan District, Shenzhen, 518000, China

Tel: +(86) 0755-82591330 | E-mail: webmaster@lcs-cert.com | Web: www.lcs-cert.com

Scan code to check authenticity

**LTE FDD Band 25_Channel Bandwidth 3MHz_QPSK**

Frequency (MHz)	P _{Mea} (dBm)	P _{cl} (dB)	G _a Antenna Gain(dB)	P _{Aq} (dB)	Burst Average EIRP (dBm)	Limit (dBm)	Margin (dB)	Polarization
1851.5	-17.75	4.03	8.38	35.51	22.11	33.01	-10.90	V
1882.5	-18.84	4.08	8.33	35.56	20.97	33.01	-12.04	V
1913.5	-19.43	4.14	8.26	35.63	20.32	33.01	-12.69	V

LTE FDD Band 25_Channel Bandwidth 5MHz_QPSK

Frequency (MHz)	P _{Mea} (dBm)	P _{cl} (dB)	G _a Antenna Gain(dB)	P _{Aq} (dB)	Burst Average EIRP (dBm)	Limit (dBm)	Margin (dB)	Polarization
1852.5	-19.11	4.03	8.38	35.51	20.75	33.01	-12.26	V
1882.5	-19.29	4.08	8.33	35.56	20.52	33.01	-12.49	V
1912.5	-19.64	4.14	8.26	35.63	20.11	33.01	-12.90	V

LTE FDD Band 25_Channel Bandwidth 10MHz_QPSK

Frequency (MHz)	P _{Mea} (dBm)	P _{cl} (dB)	G _a Antenna Gain(dB)	P _{Aq} (dB)	Burst Average EIRP (dBm)	Limit (dBm)	Margin (dB)	Polarization
1855.0	-19.43	4.03	8.38	35.51	20.43	33.01	-12.58	V
1882.5	-18.42	4.08	8.33	35.56	21.39	33.01	-11.62	V
1910.0	-18.77	4.14	8.26	35.63	20.98	33.01	-12.03	V

LTE FDD Band 25_Channel Bandwidth 15MHz_QPSK

Frequency (MHz)	P _{Mea} (dBm)	P _{cl} (dB)	G _a Antenna Gain(dB)	P _{Aq} (dB)	Burst Average EIRP (dBm)	Limit (dBm)	Margin (dB)	Polarization
1857.5	-19.12	4.03	8.38	35.51	20.74	33.01	-12.27	V
1882.5	-18.47	4.08	8.33	35.56	21.34	33.01	-11.67	V
1907.5	-18.30	4.14	8.26	35.63	21.45	33.01	-11.56	V

LTE FDD Band 25_Channel Bandwidth 20MHz_QPSK

Frequency (MHz)	P _{Mea} (dBm)	P _{cl} (dB)	G _a Antenna Gain(dB)	P _{Aq} (dB)	Burst Average EIRP (dBm)	Limit (dBm)	Margin (dB)	Polarization
1860.0	-17.93	4.03	8.38	35.51	21.93	33.01	-11.08	V
1882.5	-19.01	4.08	8.33	35.56	20.80	33.01	-12.21	V
1905.0	-18.43	4.14	8.26	35.63	21.32	33.01	-11.69	V

LTE FDD Band 25_Channel Bandwidth 1.4MHz_16QAM

Frequency (MHz)	P _{Mea} (dBm)	P _{cl} (dB)	G _a Antenna Gain(dB)	P _{Aq} (dB)	Burst Average EIRP (dBm)	Limit (dBm)	Margin (dB)	Polarization
1850.7	-19.66	4.03	8.38	35.51	20.20	33.01	-12.81	V
1882.5	-19.02	4.08	8.33	35.56	20.79	33.01	-12.22	V
1914.3	-19.68	4.14	8.26	35.63	20.07	33.01	-12.94	V



Shenzhen LCS Compliance Testing Laboratory Ltd.

Add: 101, 201 Bldg A & 301 Bldg C, Juji Industrial Park Yabianxueziwei, Shajing Street, Baoan District, Shenzhen, 518000, China

Tel: +(86) 0755-82591330 | E-mail: webmaster@lcs-cert.com | Web: www.lcs-cert.com

Scan code to check authenticity

*LTE FDD Band 25_Channel Bandwidth 3MHz_16QAM*

Frequency (MHz)	P _{Mea} (dBm)	P _{cl} (dB)	G _a Antenna Gain(dB)	P _{Aq} (dB)	Burst Average EIRP (dBm)	Limit (dBm)	Margin (dB)	Polarization
1851.5	-18.79	4.03	8.38	35.51	21.07	33.01	-11.94	V
1882.5	-18.33	4.08	8.33	35.56	21.48	33.01	-11.53	V
1913.5	-19.36	4.14	8.26	35.63	20.39	33.01	-12.62	V

LTE FDD Band 25_Channel Bandwidth 5MHz_16QAM

Frequency (MHz)	P _{Mea} (dBm)	P _{cl} (dB)	G _a Antenna Gain(dB)	P _{Aq} (dB)	Burst Average EIRP (dBm)	Limit (dBm)	Margin (dB)	Polarization
1852.5	-18.63	4.03	8.38	35.51	21.23	33.01	-11.78	V
1882.5	-18.42	4.08	8.33	35.56	21.39	33.01	-11.62	V
1912.5	-17.95	4.14	8.26	35.63	21.80	33.01	-11.21	V

LTE FDD Band 25_Channel Bandwidth 10MHz_16QAM

Frequency (MHz)	P _{Mea} (dBm)	P _{cl} (dB)	G _a Antenna Gain(dB)	P _{Aq} (dB)	Burst Average EIRP (dBm)	Limit (dBm)	Margin (dB)	Polarization
1855.0	-17.76	4.03	8.38	35.51	22.10	33.01	-10.91	V
1882.5	-19.74	4.08	8.33	35.56	20.07	33.01	-12.94	V
1910.0	-19.03	4.14	8.26	35.63	20.72	33.01	-12.29	V

LTE FDD Band 25_Channel Bandwidth 15MHz_16QAM

Frequency (MHz)	P _{Mea} (dBm)	P _{cl} (dB)	G _a Antenna Gain(dB)	P _{Aq} (dB)	Burst Average EIRP (dBm)	Limit (dBm)	Margin (dB)	Polarization
1857.5	-17.12	4.03	8.38	35.51	22.74	33.01	-10.27	V
1882.5	-19.33	4.08	8.33	35.56	20.48	33.01	-12.53	V
1907.5	-17.05	4.14	8.26	35.63	22.70	33.01	-10.31	V

LTE FDD Band 25_Channel Bandwidth 20MHz_16QAM

Frequency (MHz)	P _{Mea} (dBm)	P _{cl} (dB)	G _a Antenna Gain(dB)	P _{Aq} (dB)	Burst Average EIRP (dBm)	Limit (dBm)	Margin (dB)	Polarization
1860.0	-18.84	4.03	8.38	35.51	21.02	33.01	-11.99	V
1882.5	-19.29	4.08	8.33	35.56	20.52	33.01	-12.49	V
1905.0	-17.05	4.14	8.26	35.63	22.70	33.01	-10.31	V



Shenzhen LCS Compliance Testing Laboratory Ltd.

Add: 101, 201 Bldg A & 301 Bldg C, Juji Industrial Park Yabianxueziwei, Shajing Street, Baoan District, Shenzhen, 518000, China

Tel: +(86) 0755-82591330 | E-mail: webmaster@lcs-cert.com | Web: www.lcs-cert.com

Scan code to check authenticity

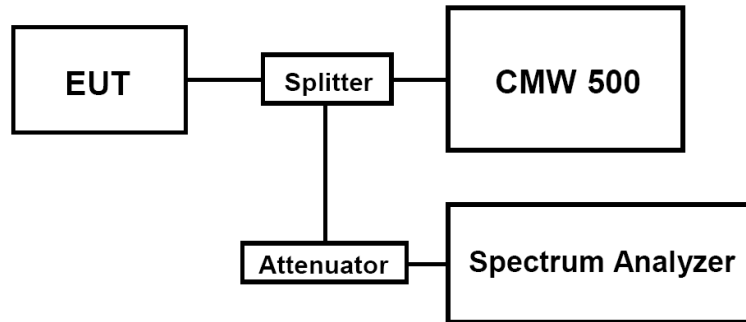


4.2 Peak-to-Average Ratio (PAR)

LIMIT

The Peak-to-Average Ratio (PAR) of the transmission may not exceed 13 dB.

TEST CONFIGURATION



TEST PROCEDURE

1. Refer to instrument's analyzer instruction manual for details on how to use the power statistics/CCDF function;
2. Set resolution/measurement bandwidth \geq signal's occupied bandwidth;
3. Set the number of counts to a value that stabilizes the measured CCDF curve;
4. Set the measurement interval as follows:
 - 1). for continuous transmissions, set to 1 ms,
 - 2). for burst transmissions, employ an external trigger that is synchronized with the EUT burst timing sequence, or use the internal burst trigger with a trigger level that allows the burst to stabilize and set the measurement interval to a time that is less than or equal to the burst duration.
5. Record the maximum PAPR level associated with a probability of 0.1%.

TEST RESULTS

Remark:

1. We were tested all RB Configuration refer 3GPP TS136 521 for each Channel Bandwidth of LTE FDD Band 12, LTE FDD Band 25.
2. For E-UTRA Band 12, please refer to Appendix C: Section C.2
3. For E-UTRA Band 25, please refer to Appendix D: Section D.2



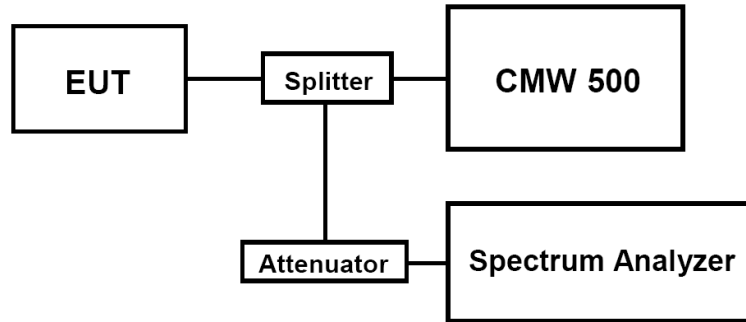


4.3 Occupied Bandwidth and Emission Bandwidth

LIMIT

N/A

TEST CONFIGURATION



TEST PROCEDURE

The transmitter output was connected to a calibrated coaxial cable and coupler, the other end of which was connected to a spectrum analyzer. The occupied bandwidth was measured with the spectrum analyzer at low, middle and high channel in each band. The -26dBc Emission bandwidth was also measured and recorded. Set RBW was set to about 1% of emission BW, VBW \geq 3 times RBW. -26dBc display line was placed on the screen (or 99% bandwidth), the occupied bandwidth is the delta frequency between the two points where the display line intersects the signal trace.

TEST RESULTS

Remark:

1. We were tested all RB Configuration refer 3GPP TS136 521 for each Channel Bandwidth of LTE FDD Band 12, LTE FDD Band.
2. For E-UTRA Band 12, please refer to Appendix C: Section C.3
3. For E-UTRA Band 25, please refer to Appendix D: Section D.3





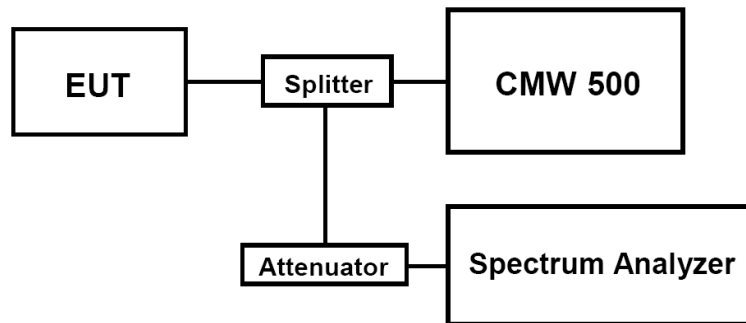
4.4 Band Edge compliance

LIMIT

For LTE FDD Band 12: Per §27.53 (g): For operations in the 698–746 MHz band, the power of any emission outside a licensee's frequency band(s) of operation shall be attenuated below the transmitter power (P) within the licensed band(s) of operation, measured in watts, by at least $43 + 10 \log(P)$ dB.

For LTE FDD Band 25: Per FCC §24.238 the power of any emission outside of the authorized operating frequency ranges must be attenuated below the transmitting power (P) by a factor of at least $43 + 10 \log(P)$ dB.

TEST CONFIGURATION



TEST PROCEDURE

1. The transmitter output port was connected to base station.
2. The RF output of EUT was connected to the power meter by RF cable and attenuator, the path loss was compensated to the results for each measurement.
3. Set EUT at maximum power through base station.
4. Select lowest and highest channels for each band and different modulation.
5. Measure Band edge using RMS (Average) detector by spectrum

TEST RESULTS

Remark:

1. We were tested all RB Configuration refer 3GPP TS136 521 for each Channel Bandwidth of LTE FDD Band 12, LTE FDD Band 25.
2. For E-UTRA Band 12, please refer to Appendix C: Section CL.4
3. For E-UTRA Band 25, please refer to Appendix D: Section D.4





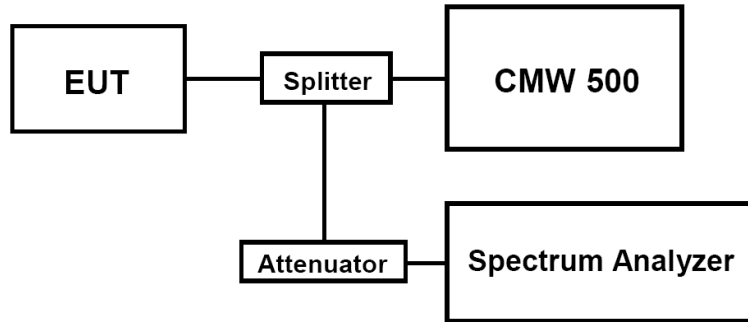
4.5 Spurious Emission on Antenna Port

LIMIT

For LTE FDD Band 12: Per §27.53 (g): For operations in the 698–746 MHz band, the power of any emission outside a licensee’s frequency band(s) of operation shall be attenuated below the transmitter power (P) within the licensed band(s) of operation, measured in watts, by at least 43 + 10 log (P) dB.

For LTE FDD Band 25: Per FCC §24.238 the power of any emission outside of the authorized operating frequency ranges must be attenuated below the transmitting power (P) by a factor of at least 43 + 10log(P) dB.

TEST CONFIGURATION



TEST PROCEDURE

The EUT was setup according to TIA-603-E

- a. Place the EUT on a bench and set it in transmitting mode.
- b. Connect a low loss RF cable from the antenna port to a spectrum analyzer and CMW 500 by a Directional Couple.
- c. EUT Communicate with CMW 500, then select a channel for testing.
- d. Add a correction factor to the display of spectrum, and then test.
- e. The resolution bandwidth of the spectrum analyzer was setsufficient scans were taken to show the out of band Emission if any up to10th harmonic.
- f. Please refer to following tables for test antenna conducted emissions.

Working Frequency	Sub range (GHz)	RBW	VBW	Sweep time (s)
LTE FDD Band 12	0.000009~0.000015	1KHz	3KHz	Auto
	0.000015~0.03	10KHz	30KHz	Auto
	0.03~10	1 MHz	3 MHz	Auto
LTE FDD Band 25	0.000009~0.000015	1KHz	3KHz	Auto
	0.000015~0.03	10KHz	30KHz	Auto
	0.03~20	1 MHz	3 MHz	Auto

TEST RESULTS

Remark:

- 1. We were tested all RB Configuration refer 3GPP TS136 521 for each Channel Bandwidth of LTE FDD Band 12, LTE FDD Band 25.
- 2. For E-UTRA Band 12, please refer to Appendix C: Section C.5
- 3. For E-UTRA Band 25, please refer to Appendix D: Section D.5



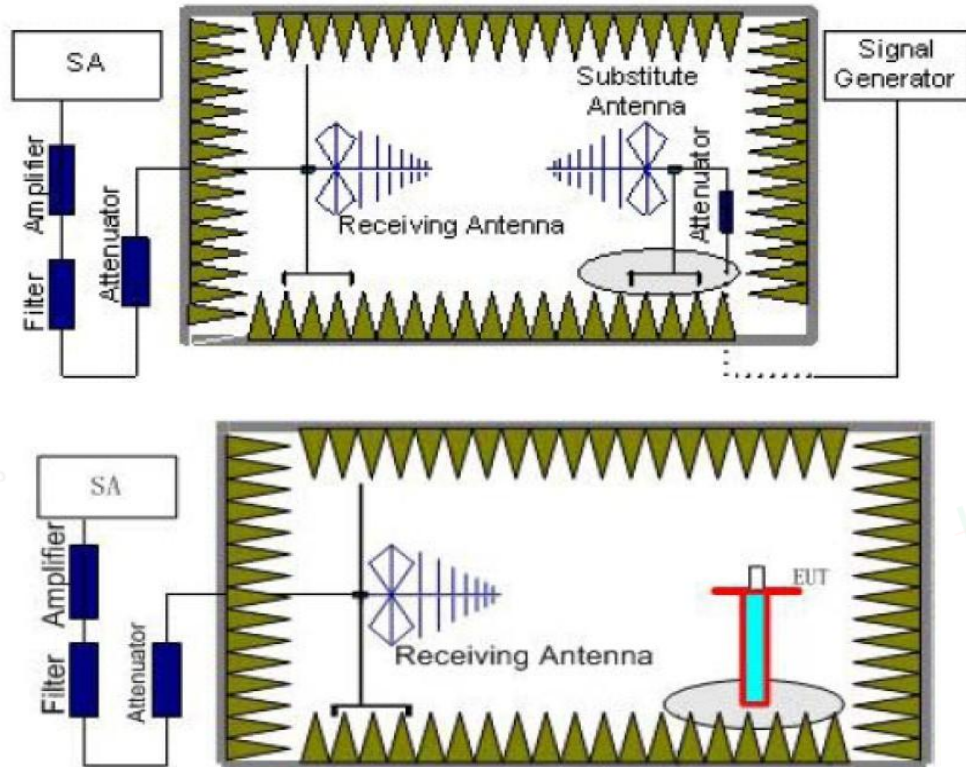
4.6 Radiated Spurious Emission

LIMIT

For LTE FDD Band 12: Per §27.53 (g): For operations in the 698–746 MHz band, the power of any emission outside a licensee's frequency band(s) of operation shall be attenuated below the transmitter power (P) within the licensed band(s) of operation, measured in watts, by at least $43 + 10 \log (P)$ dB.

For LTE FDD Band 25: Per FCC §24.238 the power of any emission outside of the authorized operating frequency ranges must be attenuated below the transmitting power (P) by a factor of at least $43 + 10 \log (P)$ dB.

TEST CONFIGURATION



TEST PROCEDURE

1. EUT was placed on a 1.50 meter high non-conductive stand at a 3 meter test distance from the receive antenna. A receiving antenna was placed on the antenna mast 3 meters from the EUT for emission measurements. The height of receiving antenna is 1.50m. Detected emissions were maximized at each frequency by rotating the EUT through 360° and adjusting the receiving antenna polarization. The radiated emission measurements of all transmit frequencies in three channels (High, Middle, Low) were measured with peak detector.
2. A log-periodic antenna or double-ridged waveguide horn antenna shall be substituted in place of the EUT. The log-periodic antenna will be driven by a signal generator and the level will be adjusted till the same power value on the spectrum analyzer or receiver. The level of the spurious emissions can be calculated through the level of the signal generator, cable loss, the gain of the substitution antenna and the reading of the spectrum analyzer or receiver.
3. The EUT is then put into continuously transmitting mode at its maximum power level during the test. Set Test Receiver or Spectrum RBW=1MHz, VBW=3MHz, And the maximum value of the receiver should be recorded as (P_r).
4. The EUT shall be replaced by a substitution antenna. In the chamber, an substitution antenna for the frequency band of interest is placed at the reference point of the chamber. An RF Signal source for the frequency band of interest is connected to the substitution antenna with a cable that has been constructed to not interfere with the radiation pattern of the antenna. A power (P_{Mea}) is applied to the input of the





substitution antenna, and adjust the level of the signal generator output until the value of the receiver reach the previously recorded (P_r). The power of signal source (P_{Mea}) is recorded. The test should be performed by rotating the test item and adjusting the receiving antenna polarization.

5. A amplifier should be connected to the Signal Source output port. And the cable should be connect between the Amplifier and the Substitution Antenna. The cable loss (P_{cl}), the Substitution Antenna Gain (G_a) and the Amplifier Gain (P_{Ag}) should be recorded after test.

The measurement results are obtained as described below:

$$\text{Power(EIRP)} = P_{Mea} + P_{Ag} - P_{cl} + G_a$$

6. This value is EIRP since the measurement is calibrated using an antenna of known gain (2.15 dBi) and known input power.
7. ERP can be calculated from EIRP by subtracting the gain of the dipole, $ERP = EIRP - 2.15\text{dBi}$.
8. In order to make sure test results more clearly, we set frequency range and sweep time for difference frequency range as follows table:

Working Frequency	Subrange (GHz)	RBW	VBW	Sweep time (s)
LTE FDD Band 12	0.00009~0.15	1KHz	3KHz	30
	0.00015~0.03	10KHz	30KHz	10
	0.03~1	100KHz	300KHz	10
	1~2	1 MHz	3 MHz	2
	2~5	1 MHz	3 MHz	3
	5~8	1 MHz	3 MHz	3
LTE FDD Band 25	0.00009~0.15	1KHz	3KHz	30
	0.00015~0.03	10KHz	30KHz	10
	0.03~1	100KHz	300KHz	10
	1~2	1 MHz	3 MHz	2
	2~5	1 MHz	3 MHz	3
	5~8	1 MHz	3 MHz	3
	8~11	1 MHz	3 MHz	3
	11~14	1 MHz	3 MHz	3
	14~18	1 MHz	3 MHz	3
	18~20	1 MHz	3 MHz	2

Frequency	Channel	Frequency Range	Verdict
LTE FDD Band 12	Low	9KHz -8GHz	PASS
	Middle	9KHz -8GHz	PASS
	High	9KHz -8GHz	PASS
LTE FDD Band 25	Low	9KHz -20GHz	PASS
	Middle	9KHz -20GHz	PASS
	High	9KHz -20GHz	PASS



Shenzhen LCS Compliance Testing Laboratory Ltd.

Add: 101, 201 Bldg A & 301 Bldg C, Juji Industrial Park Yabianxueziwei, Shajing Street, Baoan District, Shenzhen, 518000, China

Tel: +(86) 0755-82591330 | E-mail: webmaster@lcs-cert.com | Web: www.lcs-cert.com

Scan code to check authenticity

**TEST RESULTS****Remark:**

1. We were tested all RB Configuration refer 3GPP TS136 521 for each Channel Bandwidth of LTE FDD Band 12, LTE FDD Band.
3. We were not recorded other points as values lower than limits.
4. $Power(EIRP) = P_{Mea} + P_{Ag} - P_{cl} + G_a$
5. $Margin = EIRP - Limit$

LTE FDD Band 12_Channel Bandwidth 10MHz_QPSK_Low Channel

Frequency (MHz)	P _{Mea} (dBm)	P _{cl} (dB)	Diatance	G _a Antenna Gain(dB)	Peak EIRP (dBm)	Limit (dBm)	Margin (dB)	Polarization
1408.00	-38.79	3.71	3.00	9.02	-33.48	-13.00	-20.48	H
2112.00	-44.06	4.22	3.00	8.64	-39.64	-13.00	-26.64	H
1408.00	-35.69	3.71	3.00	9.02	-30.38	-13.00	-17.38	V
2112.00	-39.48	4.22	3.00	8.64	-35.06	-13.00	-22.06	V

LTE FDD Band 12_Channel Bandwidth 10MHz_QPSK_Middle Channel

Frequency (MHz)	P _{Mea} (dBm)	P _{cl} (dB)	Diatance	G _a Antenna Gain(dB)	Peak EIRP (dBm)	Limit (dBm)	Margin (dB)	Polarization
1415.00	-39.65	3.72	3.00	9.04	-34.33	-13.00	-21.33	H
2122.50	-46.59	4.23	3.00	8.60	-42.22	-13.00	-29.22	H
1415.00	-36.34	3.72	3.00	9.04	-31.02	-13.00	-18.02	V
2122.50	-37.36	4.23	3.00	8.60	-32.99	-13.00	-19.99	V

LTE FDD Band 12_Channel Bandwidth 10MHz_QPSK_High Channel

Frequency (MHz)	P _{Mea} (dBm)	P _{cl} (dB)	Diatance	G _a Antenna Gain(dB)	Peak EIRP (dBm)	Limit (dBm)	Margin (dB)	Polarization
1422.00	-40.42	4.78	3.00	8.91	-36.29	-13.00	-23.29	H
2133.00	-44.09	4.25	3.00	8.26	-40.08	-13.00	-27.08	H
1422.00	-36.39	4.78	3.00	8.91	-32.26	-13.00	-19.26	V
2133.00	-37.09	4.25	3.00	8.26	-33.08	-13.00	-20.08	V

LTE FDD Band 12_Channel Bandwidth 10MHz_16QAM_Low Channel

Frequency (MHz)	P _{Mea} (dBm)	P _{cl} (dB)	Diatance	G _a Antenna Gain(dB)	Peak EIRP (dBm)	Limit (dBm)	Margin (dB)	Polarization
1408.00	-40.61	3.71	3.00	9.02	-35.30	-13.00	-22.30	H
2112.00	-46.78	4.22	3.00	8.64	-42.36	-13.00	-29.36	H
1408.00	-33.47	3.71	3.00	9.02	-28.16	-13.00	-15.16	V
2112.00	-36.09	4.22	3.00	8.64	-31.67	-13.00	-18.67	V

LTE FDD Band 12_Channel Bandwidth 10MHz_16QAM_Middle Channel

Frequency (MHz)	P _{Mea} (dBm)	P _{cl} (dB)	Diatance	G _a Antenna Gain(dB)	Peak EIRP (dBm)	Limit (dBm)	Margin (dB)	Polarization
1415.00	-39.47	3.72	3.00	9.04	-34.15	-13.00	-21.15	H
2122.50	-47.40	4.23	3.00	8.60	-43.03	-13.00	-30.03	H
1415.00	-36.86	3.72	3.00	9.04	-31.54	-13.00	-18.54	V
2122.50	-38.67	4.23	3.00	8.60	-34.30	-13.00	-21.30	V



Shenzhen LCS Compliance Testing Laboratory Ltd.

Add: 101, 201 Bldg A & 301 Bldg C, Juji Industrial Park Yabianxueziwei, Shajing Street, Baoan District, Shenzhen, 518000, China

Tel: +(86) 0755-82591330 | E-mail: webmaster@lcs-cert.com | Web: www.lcs-cert.com

Scan code to check authenticity

*LTE FDD Band 12_Channel Bandwidth 10MHz_16QAM_High Channel*

Frequency (MHz)	P _{Mea} (dBm)	P _{cl} (dB)	Diatance	G _a Antenna Gain(dB)	Peak EIRP (dBm)	Limit (dBm)	Margin (dB)	Polarization
1422.00	-38.91	4.78	3.00	8.91	-34.78	-13.00	-21.78	H
2133.00	-44.27	4.25	3.00	8.26	-40.26	-13.00	-27.26	H
1422.00	-34.13	4.78	3.00	8.91	-30.00	-13.00	-17.00	V
2133.00	-38.20	4.25	3.00	8.26	-34.19	-13.00	-21.19	V

LTE FDD Band 25_Channel Bandwidth 20MHz_QPSK_Low Channel

Frequency (MHz)	P _{Mea} (dBm)	P _{cl} (dB)	Diatance	G _a Antenna Gain(dB)	Peak EIRP (dBm)	Limit (dBm)	Margin (dB)	Polarization
3715.0	-44.81	5.26	3.00	9.88	-40.19	-13.00	-27.19	H
5572.5	-50.20	6.11	3.00	11.36	-44.95	-13.00	-31.95	H
3715.0	-43.30	5.26	3.00	9.88	-38.68	-13.00	-25.68	V
5572.5	-51.41	6.11	3.00	11.36	-46.16	-13.00	-33.16	V

LTE FDD Band 25_Channel Bandwidth 20MHz_QPSK_Middle Channel

Frequency (MHz)	P _{Mea} (dBm)	P _{cl} (dB)	Diatance	G _a Antenna Gain(dB)	Peak EIRP (dBm)	Limit (dBm)	Margin (dB)	Polarization
3765.0	-45.10	5.32	3.00	10.03	-40.39	-13.00	-27.39	H
5647.5	-50.31	6.19	3.00	11.41	-45.09	-13.00	-32.09	H
3765.0	-44.10	5.32	3.00	10.03	-39.39	-13.00	-26.39	V
5647.5	-55.95	6.19	3.00	11.41	-50.73	-13.00	-37.73	V

LTE FDD Band 25_Channel Bandwidth 20MHz_QPSK_High Channel

Frequency (MHz)	P _{Mea} (dBm)	P _{cl} (dB)	Diatance	G _a Antenna Gain(dB)	Peak EIRP (dBm)	Limit (dBm)	Margin (dB)	Polarization
3810.0	-42.23	5.36	3.00	9.62	-37.97	-13.00	-24.97	H
5715.0	-48.87	6.24	3.00	11.46	-43.65	-13.00	-30.65	H
3810.0	-41.97	5.36	3.00	9.62	-37.71	-13.00	-24.71	V
5715.0	-53.66	6.24	3.00	11.46	-48.44	-13.00	-35.44	V

LTE FDD Band 25_Channel Bandwidth 20MHz_16QAM_Low Channel

Frequency (MHz)	P _{Mea} (dBm)	P _{cl} (dB)	Diatance	G _a Antenna Gain(dB)	Peak EIRP (dBm)	Limit (dBm)	Margin (dB)	Polarization
3715.0	-45.98	5.26	3.00	9.88	-41.36	-13.00	-28.36	H
5572.5	-48.53	6.11	3.00	11.36	-43.28	-13.00	-30.28	H
3715.0	-40.26	5.26	3.00	9.88	-35.64	-13.00	-22.64	V
5572.5	-55.19	6.11	3.00	11.36	-49.94	-13.00	-36.94	V

LTE FDD Band 25_Channel Bandwidth 20MHz_16QAM_Middle Channel

Frequency (MHz)	P _{Mea} (dBm)	P _{cl} (dB)	Diatance	G _a Antenna Gain(dB)	Peak EIRP (dBm)	Limit (dBm)	Margin (dB)	Polarization
3765.0	-43.62	5.32	3.00	10.03	-38.91	-13.00	-25.91	H
5647.5	-50.24	6.19	3.00	11.41	-45.02	-13.00	-32.02	H
3765.0	-41.09	5.32	3.00	10.03	-36.38	-13.00	-23.38	V
5647.5	-48.86	6.19	3.00	11.41	-43.64	-13.00	-30.64	V



Shenzhen LCS Compliance Testing Laboratory Ltd.

Add: 101, 201 Bldg A & 301 Bldg C, Juji Industrial Park Yabianxueziwei, Shajing Street, Baoan District, Shenzhen, 518000, China

Tel: +(86) 0755-82591330 | E-mail: webmaster@lcs-cert.com | Web: www.lcs-cert.com

Scan code to check authenticity



LTE FDD Band 25_Channel Bandwidth 20MHz_16QAM_High Channel

Frequency (MHz)	P _{Mea} (dBm)	P _{cl} (dB)	Diatance	G _a Antenna Gain(dB)	Peak EIRP (dBm)	Limit (dBm)	Margin (dB)	Polarization
3810.0	-40.75	5.36	3.00	9.62	-36.49	-13.00	-23.49	H
5715.0	-46.02	6.24	3.00	11.46	-40.80	-13.00	-27.80	H
3810.0	-43.55	5.36	3.00	9.62	-39.29	-13.00	-26.29	V
5715.0	-54.10	6.24	3.00	11.46	-48.88	-13.00	-35.88	V

Notes: All channel bandwidth were tested,the report recorded the worst data.



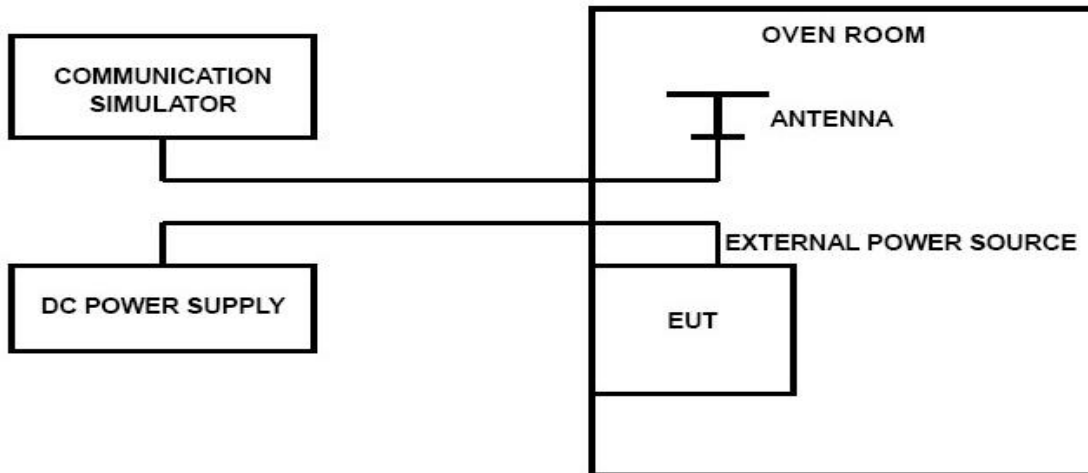


4.7 Frequency Stability under Temperature & Voltage Variations

LIMIT

According to FCC§24.235, §27.54.213 requirement, the frequency stability shall be sufficient to ensure that the fundamental emissions stay within the authorized bands of operation and should not exceed 2.5ppm.

TEST CONFIGURATION



TEST PROCEDURE

The EUT was setup according to TIA-603-E

Frequency Stability Under Temperature Variations:

In order to measure the carrier frequency under the condition of AFC lock, it is necessary to make measurements with the EUT in a “call mode”. This is accomplished with the use of R&S CMW 500 DIGITAL RADIO COMMUNICATION TESTER.

1. Measure the carrier frequency at room temperature.
2. Subject the EUT to overnight soak at -30°C.
3. With the EUT, powered via nominal voltage, connected to the LTE band 12, LTE band 25; measure the carrier frequency. These measurements should be made within 2 minutes of Powering up the EUT, to prevent significant self-warming.
4. Repeat the above measurements at 10°C increments from -30°C to +50°C. Allow at least 1.5 hours at each temperature, unpowered, before making measurements.
5. Re-measure carrier frequency at room temperature with nominal voltage. Vary supply voltage from minimum voltage to maximum voltage, in 0.1Volt increments re-measuring carrier frequency at each voltage. Pause at nominal voltage for 1.5 hours unpowered, to allow any self-heating to stabilize, before continuing.
6. Subject the EUT to overnight soak at +50°C.
7. With the EUT, powered via nominal voltage, connected to the CMW 500 and in a simulated call on the centre channel, measure the carrier frequency. These measurements should be made within 2 minutes of Powering up the EUT, to prevent significant self-warming.
8. Repeat the above measurements at 10 °C increments from +50°C to -30°C. Allow at least 1.5 hours at each temperature, unpowered, before making measurements
9. At all temperature levels hold the temperature to +/- 0.5°C during the measurement procedure.

Frequency Stability Under Voltage Variations:

Set chamber temperature to 20°C. Use a variable AC power supply / DC power source to power the EUT and set the voltage to rated voltage. Set the spectrum analyzer RBW low enough to obtain the desired frequency resolution and recorded the frequency.

Reduce the input voltage to specify extreme voltage variation (±15%) and endpoint, record the maximum frequency change.





TEST RESULTS

Remark:

We were tested all RB Configuration refer 3GPP TS136 521 for each Channel Bandwidth of LTE FDD Band 12, LTE FDD Band 25.

LTE Band 12, QPSK, 1.4MHz bandwidth (worst case of all bandwidths and modulation type)

LTE FDD Band 12					
DC Power	Temperature (°C)	Frequency error(Hz)	Frequency error(ppm)	Limit (ppm)	Verdict
VL	20	42	0.059	±2.50	PASS
VN	20	-21	-0.030	±2.50	PASS
VH	20	37	0.052	±2.50	PASS
VN	-30	-10	-0.014	±2.50	PASS
VN	-20	-27	-0.038	±2.50	PASS
VN	-10	13	0.018	±2.50	PASS
VN	0	-14	-0.020	±2.50	PASS
VN	10	-10	-0.014	±2.50	PASS
VN	20	22	0.031	±2.50	PASS
VN	30	-20	-0.028	±2.50	PASS
VN	40	-13	-0.018	±2.50	PASS
VN	50	-16	-0.023	±2.50	PASS

LTE Band 12, 16QAM, 1.4MHz bandwidth (worst case of all bandwidths and modulation type)

LTE FDD Band 12					
DC Power	Temperature (°C)	Frequency error(Hz)	Frequency error(ppm)	Limit (ppm)	Verdict
VL	20	31	0.044	±2.50	PASS
VN	20	-5	-0.007	±2.50	PASS
VH	20	0	0.000	±2.50	PASS
VN	-30	22	0.031	±2.50	PASS
VN	-20	-14	-0.020	±2.50	PASS
VN	-10	-16	-0.023	±2.50	PASS
VN	0	-49	-0.069	±2.50	PASS
VN	10	29	0.041	±2.50	PASS
VN	20	28	0.040	±2.50	PASS
VN	30	39	0.055	±2.50	PASS
VN	40	-24	-0.034	±2.50	PASS
VN	50	-42	-0.059	±2.50	PASS





LTE Band 25, 1.4MHz bandwidth, QPSK (worst case of all bandwidths)

LTE FDD Band 25					
DC Power	Temperature (°C)	Frequency error(Hz)	Frequency error(ppm)	Limit (ppm)	Verdict
VL	20	73	0.039	2.50	PASS
VN	20	70	0.037	2.50	PASS
VH	20	44	0.023	2.50	PASS
VN	-30	42	0.022	2.50	PASS
VN	-20	47	0.025	2.50	PASS
VN	-10	18	0.010	2.50	PASS
VN	0	30	0.016	2.50	PASS
VN	10	33	0.018	2.50	PASS
VN	20	56	0.030	2.50	PASS
VN	30	51	0.027	2.50	PASS
VN	40	5	0.003	2.50	PASS
VN	50	99	0.053	2.50	PASS

LTE Band 25, 1.4MHz bandwidth, 16QAM (worst case of all bandwidths)

LTE FDD Band 25					
DC Power	Temperature (°C)	Frequency error(Hz)	Frequency error(ppm)	Limit (ppm)	Verdict
VL	20	61	0.032	2.50	PASS
VN	20	64	0.034	2.50	PASS
VH	20	45	0.024	2.50	PASS
VN	-30	69	0.037	2.50	PASS
VN	-20	70	0.037	2.50	PASS
VN	-10	76	0.040	2.50	PASS
VN	0	25	0.013	2.50	PASS
VN	10	92	0.049	2.50	PASS
VN	20	74	0.039	2.50	PASS
VN	30	75	0.040	2.50	PASS
VN	40	38	0.020	2.50	PASS
VN	50	66	0.035	2.50	PASS



Shenzhen LCS Compliance Testing Laboratory Ltd.

Add: 101, 201 Bldg A & 301 Bldg C, Juji Industrial Park Yabianxueziwei, Shajing Street, Baoan District, Shenzhen, 518000, China

Tel: +(86) 0755-82591330 | E-mail: webmaster@lcs-cert.com | Web: www.lcs-cert.com

Scan code to check authenticity



5 Test Setup Photos of the EUT

Pleaserefer to separated files for Test Setup Photos of the EUT.

6 External Photos of the EUT

Pleaserefer to separated files for External Photos of the EUT.

7 Internal Photos of the EUT

Pleaserefer to separated files for Internal Photos of the EUT.

-----THE END OF REPORT-----

