

ClearClick® Mini Wireless HDMI Transmitter & Receiver Kit



User's Manual & Quick Start Guide

3 Year Warranty & USA-Based Tech Support

For tech support, email us at: support@clearclick.com

Extend your warranty to 4 years for free by registering at:

www.clearclick.com/register/



www.ClearClick.com

Extend Your Warranty for FREE!

Extend your warranty by one year for free simply by registering your product at:

www.ClearClick.com

Browse All Our Products!

If you're looking for fun, unique, and easy-to-use technology, we've got it! Please visit our website to browse all of our products:

www.ClearClick.com

Safety Precautions – Important, Please Read:

1. Do not disassemble the units.
2. Do not permit children to use or play with this device.
3. Please note that the devices may become warm during use.
4. Do not operate the unit around water or rain. Do not operate the unit around any unnecessary machines or appliances.
5. Unplug the units when not in use.
6. Use only the included accessories with the device.

FCC Warning Statement

Changes or modifications not expressly approved by the party responsible for compliance could void the user's authority to operate the equipment. This equipment has been tested and found to comply with the limits for a Class B digital device, pursuant to Part 15 of the FCC Rules. These limits are designed to provide reasonable protection against harmful interference in a residential installation. This equipment generates uses and can radiate radio frequency energy and, if not installed and used in accordance with the instructions, may cause harmful interference to radio communications. However, there is no guarantee that interference will not occur in a particular installation. If this equipment does cause harmful interference to radio or television reception, which can be determined by turning the equipment off and on, the user is encouraged to try to correct the interference by one or more of the following measures: -- Reorient or relocate the receiving antenna. -- Increase the separation between the equipment and receiver. -- Connect the equipment into an outlet on a circuit different from that to which the receiver is connected. -- Consult the dealer or an experienced radio/TV technician for help. This device complies with part 15 of the FCC Rules. Operation is subject to the following two conditions: (1) This device may not cause harmful interference, and (2) this device must accept any interference received, including interference that may cause undesired operation. RF Exposure Statement To maintain compliance with FCC's RF Exposure guidelines, This equipment should be installed and operated with minimum distance of 20cm the radiator your body. This device and its antenna(s) must not be co-located or operation in conjunction with any other antenna or transmitter.

What's In The Box?



1 Transmitter (TX)

1 Receiver (RX)



2 USB Power Cables

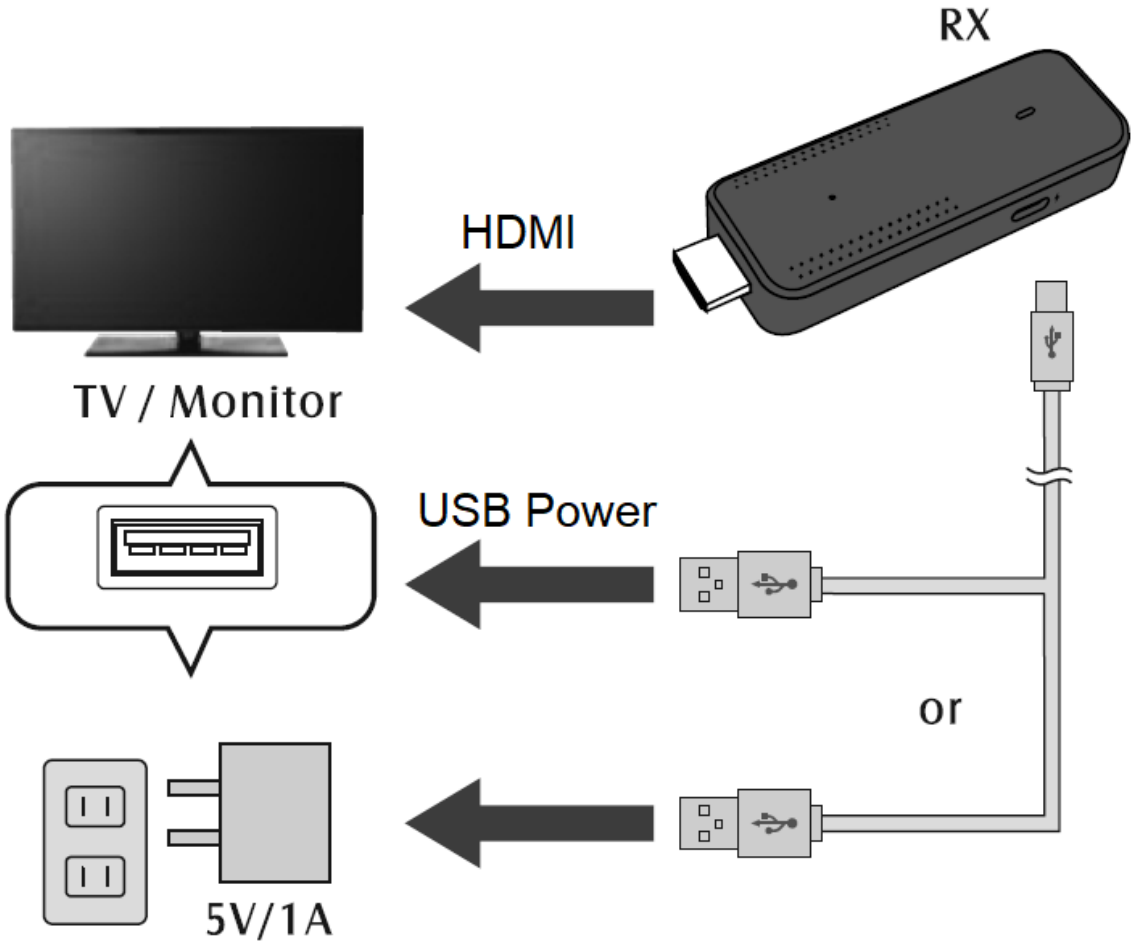


2 HDMI Extender Cables

Quick Start Guide – From HDMI Sources

- 1. Connect your receiver (**RX**) to your TV, monitor, or projector’s HDMI input port.

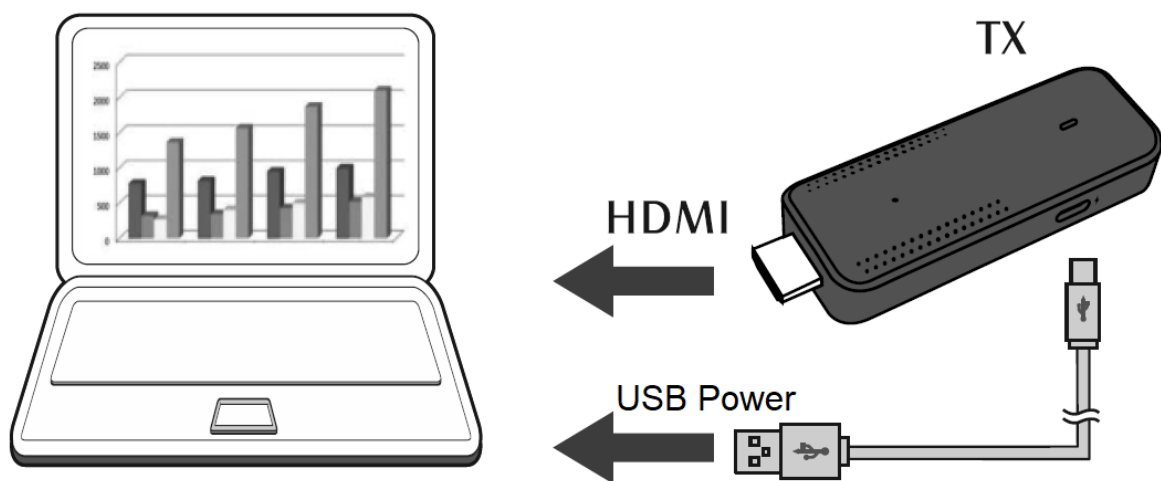
Power your receiver (**RX**) with USB power from a USB port on your TV or a USB wall adapter.



The RX part is only used on the monitor or TV set, and must be used at a distance of more than 20cm from the human body

2. Connect your transmitter (**TX**) to your video source (such as laptop, DVD player, etc.).

Power your transmitter (**TX**) with one of the included USB cables and a USB port or a USB wall adapter.

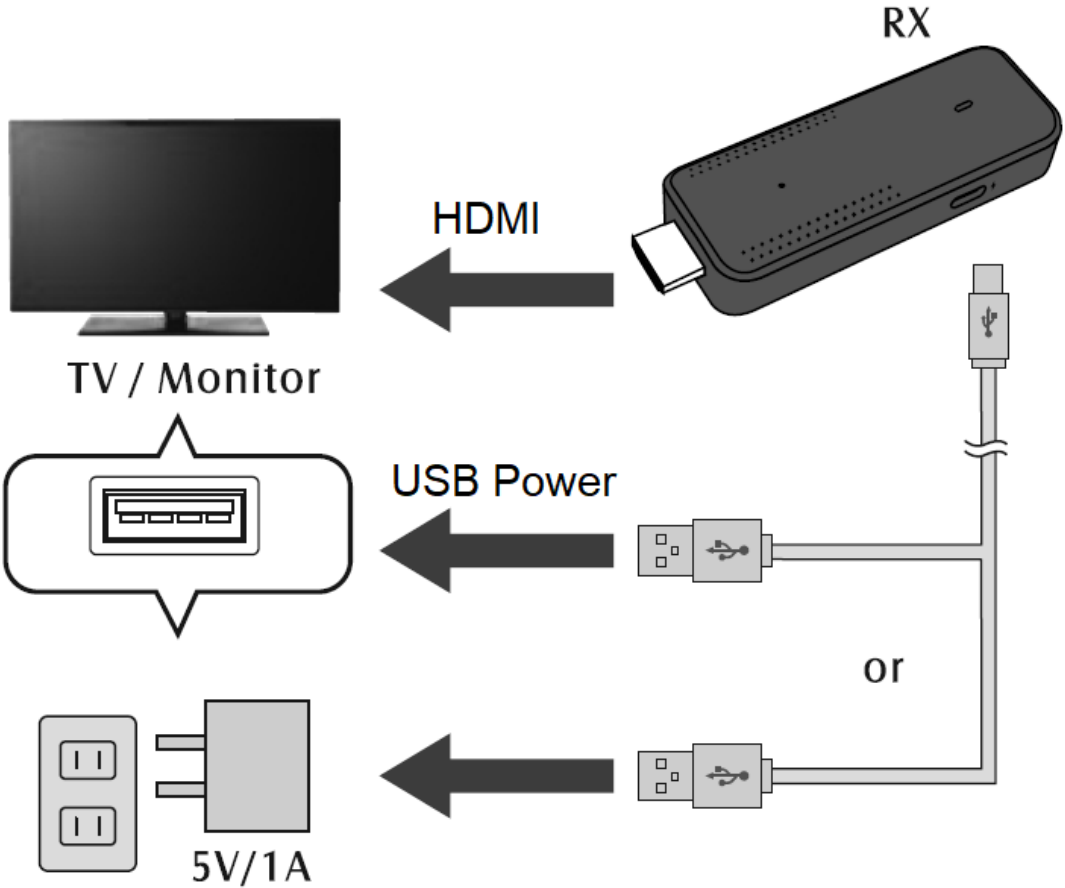


3. The receiver (RX) and transmitter (TX) will automatically connect. The LED on the transmitter (TX) will turn solid blue once the two devices are successfully connected.

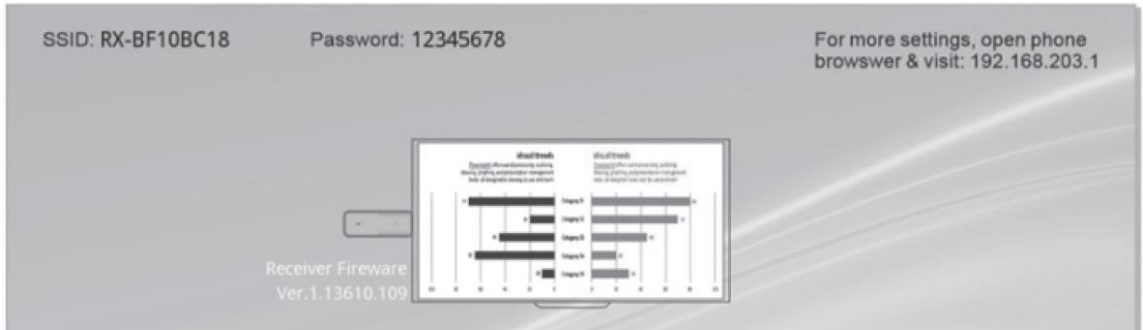
Quick Start Guide – From iPhone/iPad

1. Connect your receiver (**RX**) to your TV, monitor, or projector's HDMI input port.

Power your receiver (**RX**) with USB power from a USB port on your TV or a USB wall adapter.



2. Make sure your transmitter (**TX**) is unplugged and turned off.
3. On your TV or monitor, you should see the screen below:



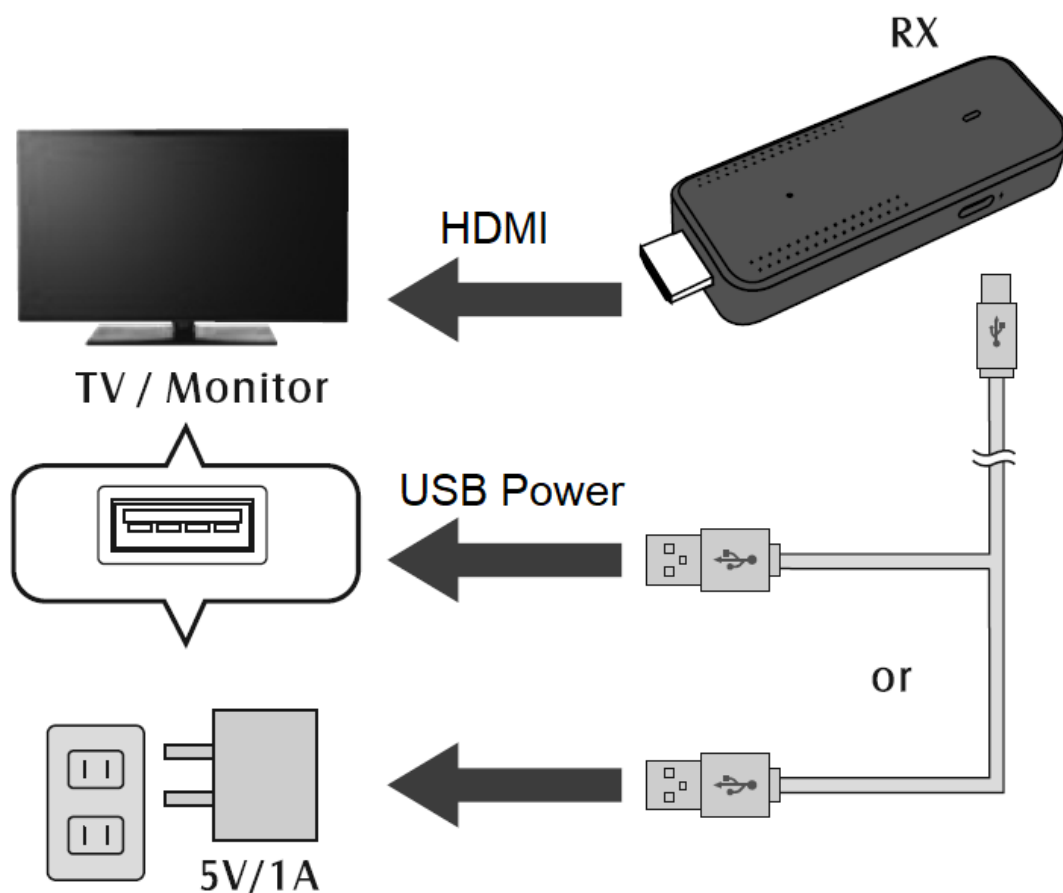
4. Connect your iPhone or iPad to the WiFi network as shown in the screen above (top left corner).
5. Open AirPlay on your iPhone or iPad to start screen mirroring / transmitting to the receiver (RX).



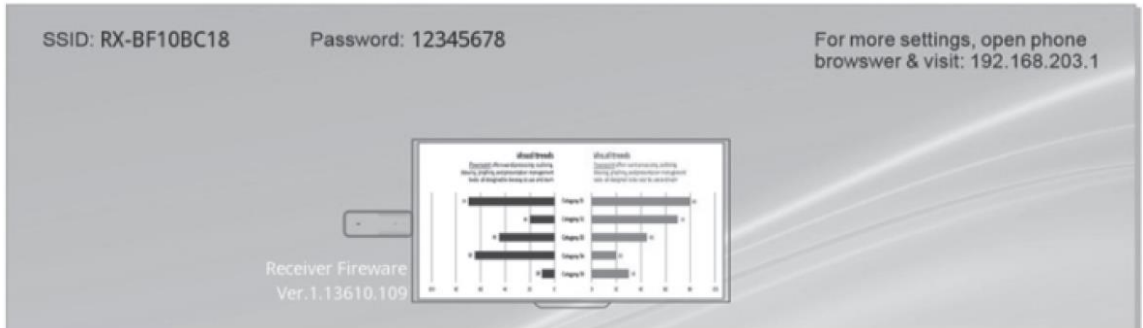
Quick Start Guide – From Android Phone or Tablet

1. Connect your receiver (**RX**) to your TV, monitor, or projector's HDMI input port.

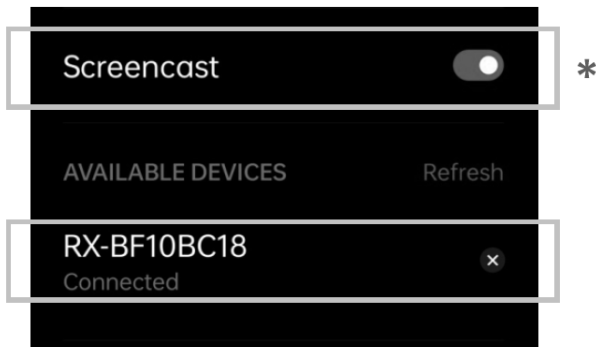
Power your receiver (**RX**) with USB power from a USB port on your TV or a USB wall adapter.



2. Make sure your transmitter (**TX**) is unplugged and turned off.
3. On your TV or monitor, you should see the screen below:



4. Turn on the “Screencast” or “Miracast” feature on your Android phone or tablet, and connect to the receiver (RX).



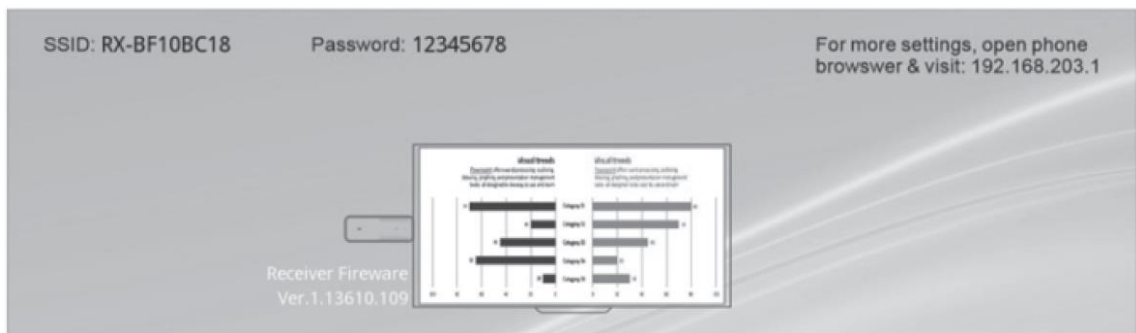
** NOTE: Phones will vary in setup. You may need to download a “Cast Screen” app and/or enable the “Enable wireless display” setting.)*

How To Put Your Receiver (RX) On Your Existing WiFi Network

You can add your receiver (RX) on your existing WiFi network so that your iPhone/iPad do not need to connect to the receiver's (RX) WiFi network.

Instead, these devices can just stay connected to your usual wireless network.

1. Plug in your receiver (**RX**) to your TV or monitor.
2. Make sure your transmitter (**TX**) is unplugged and turn off.
3. Connect your iPhone or iPad to the WiFi network as shown in the screen below (top left):



4. On your iPhone or iPad's web browser, navigate to the IP address shown in the top right corner of the screen (for example: 192.168.203.1).

5. On the screen/website, you can connect your receiver (RX) to your existing WiFi network.



Technical Specifications

Video input	Up to 1080P/60 (1080p50/30/25/24, 1080i60/50) 1280x720(720p60/50), 720x576(576p50), 720x480(480p60)
Video resolution	Up to 1080p, 720p, 576p, 480p
Audio	Stereo, quality 16bits 48KHz
Wireless Channel	IEEE 802.11ac, 5GHz, 1T1R
Latency	<120ms latency
Streaming Protocol	Airplay, Miracast, DLNA
HDMI Version	HDMI 1.4 with HDCP1.4
Authentication Protocol	WPA2 (WPAS-PSK / WPA2-Enterprise)
Security	AES 128 bit
Platform supported	Windows, iOS, Android, Any devices with HDMI jack
Distance	150 feet (clear line of sight)
Transmitter	
interface	HDMI in jack x 1, Type C x 1
LED	Blue
Switch button	x 1
Power supply	DC5V/0.45A
Power Consumption	About 2.25W
Dimension	3.8" x 1.3" x 0.7"
Weight	2 oz
Receiver	
Interface	HDMI out jack x 1, Type C x 1
LED	Blue
Power supply	DC5V/0.4A
Power Consumption	About 2W
Dimension	3.8" x 1.3" x 0.7"
Weight	2 oz



www.ClearClick.com

support@clearclick.com