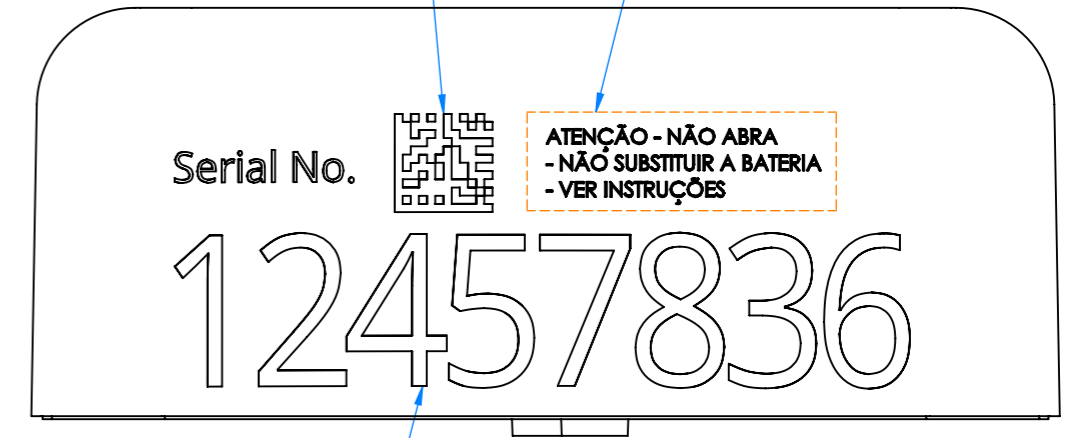


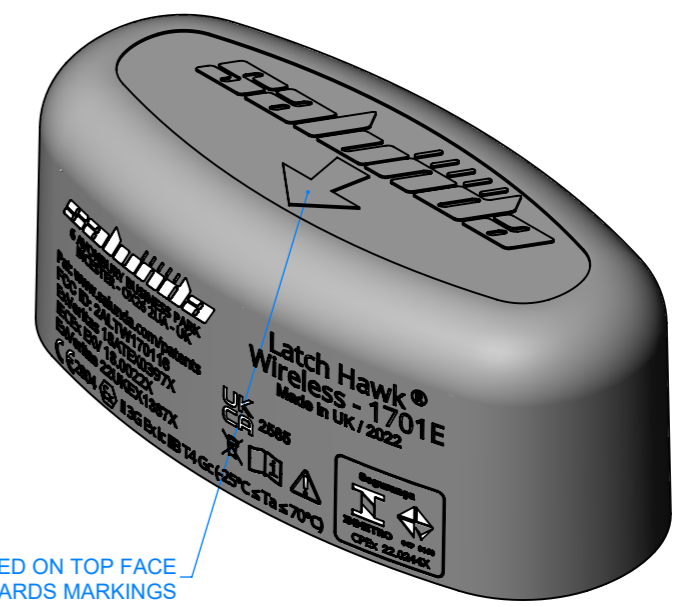
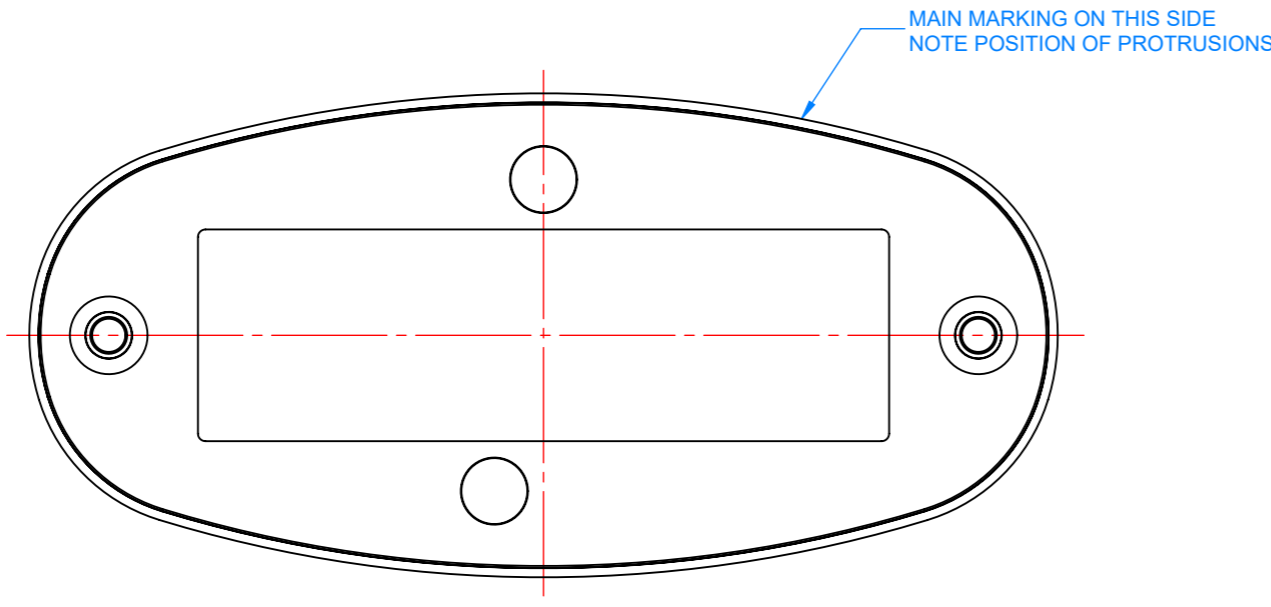
DATA MATRIX WITH SERIAL NO. AS PER PURCHASE ORDER
DATA MATRIX HEIGHT 7.0 / 6.0mm
DATA MATRIX MUST BE FILLED

CPEX WARNING TEXT
HEIGHT 1.0mm



SERIAL NUMBER AS PER PURCHASE ORDER
TEXT HEIGHT 10.0mm
COMPRESSED TO FIT FACE WIDTH

REAR VIEW OF SENSOR



- NOTES:
- LASER ETCH DETAIL ON TO ASSEMBLY NUMBER SA-06626 - CLARITY OF TEXT AND LEGIBILITY IS CRITICAL
 - ALL TEXT AS SHOWN: FONT OPEN SANS; HEIGHT 1.20mm - EXCEPT AS STATED; SIZE +/- 0.25mm
 - THE TEXT CONTAINED WITHIN THE HIGHLIGHTED BOXES IS REQUIRED FOR CERTIFICATION PURPOSES ONLY.
 - CERTIFICATION LEVEL AND MARKING REQUIREMENTS WILL BE CONFIRMED ON THE PURCHASE ORDER.
 - DO NOT LASER ETCH THE HIGHLIGHTED BOX LINES.
 - MARKING DETAIL IN HIGHLIGHTED BOX IS REQUIRED FOR ATEX / IECEx CERTIFIED PRODUCT ONLY. THIS MUST NOT BE MARKED ON NON-CERTIFIED PRODUCT
 - MARKING DETAIL IN HIGHLIGHTED BOX IS REQUIRED FOR CPEX
 - MARKING DETAIL IN HIGHLIGHTED BOX IS REQUIRED FOR INMETRO CERTIFIED PRODUCT ONLY. THIS MUST NOT BE MARKED ON NON-CERTIFIED PRODUCT
 - MARKING DETAIL IN HIGHLIGHTED BOX IS REQUIRED FOR UKEX

EX RELATED DRAWING - NO CHANGES WITHOUT THE APPROVAL OF THE DESIGN AUTHORITY / AUTHORISED PERSON

REMOVE ALL SHARP EDGES AND BURRS.	MATERIAL: N/A	DRAWN BY: MD	PART No: ExR- SA-06626	 +44(0)1865 331000 www.salunda.com CONTAINS TRADE SECRETS - CONFIDENTIAL AND PROPRIETARY INFORMATION BELONGING TO SALUNDA - REPRODUCTION, DISTRIBUTION OR DISCLOSURE IS STRICTLY PROHIBITED.
SUPPLY DEGREASED AND CLEANED.	TREATMENT: NONE	DATE: 17/06/2021	DESCRIPTION: LHW SEALED SENSOR ASSEMBLY LASER ETCHING OPERATION	
MARK WITH PART No. AND REVISION No.	ALL DIMENSIONS IN mm UNLESS OTHERWISE STATED		CHECKED BY: GN	SHEET 1 OF 1 SHEET SIZE A3
IF IN DOUBT ASK PROPORTIONAL - DO NOT SCALE	TOLERANCES: 0 = ±0.5mm SURFACE FINISH 1.6 µm Ra MAX 0.0 = ±0.25mm SQUARENESS 0.05 IN 25 MAX 0.00 = ±0.1mm PARALLELISM 0.05 IN 25 MAX ANGLES = ±0.5° RUNOUT 0.1 MAX	APPROVED BY: CW	CHANGE NOTE: 22-052 REV: L	