

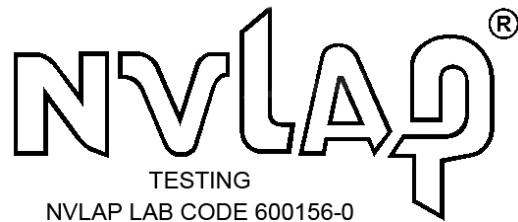


FCC Test Report

APPLICANT : Planet Avvio LLC
EQUIPMENT : Mobile phone
BRAND NAME : Mint
MODEL NAME : Mint M351
FCC ID : 2ALTAM351X
STANDARD : FCC 47 CFR FCC Part 15 Subpart B
CLASSIFICATION : Certification

The product was received on Jul. 17, 2017 and testing was completed on Jul. 29, 2017. We, Sporton International (Shenzhen) Inc., would like to declare that the tested sample has been evaluated in accordance with the test procedures given in ANSI C63.4-2014 and has been in compliance with the applicable technical standards.

The test results in this report apply exclusively to the tested model / sample. Without written approval of Sporton International (Shenzhen) Inc., the test report shall not be reproduced except in full.



Approved by: Eric Shih / Manager

Sporton International (Shenzhen) Inc.
1/F, 2/F, Bldg 5, Shiling Industrial Zone, Xinwei Village, Xili, Nanshan Shenzhen City
Guangdong Province 518055 China



TABLE OF CONTENTS

REVISION HISTORY..... 3

SUMMARY OF TEST RESULT 4

1. GENERAL DESCRIPTION 5

 1.1. Applicant..... 5

 1.2. Manufacturer 5

 1.3. Product Feature of Equipment Under Test 5

 1.4. Product Specification of Equipment Under Test 6

 1.5. Modification of EUT 6

 1.6. Test Location 7

 1.7. Applicable Standards 7

2. TEST CONFIGURATION OF EQUIPMENT UNDER TEST 8

 2.1. Test Mode 8

 2.2. Connection Diagram of Test System 9

 2.3. Support Unit used in test configuration and system 10

 2.4. EUT Operation Test Setup 11

3. TEST RESULT 12

 3.1. Test of AC Conducted Emission Measurement 12

 3.2. Test of Radiated Emission Measurement 19

4. LIST OF MEASURING EQUIPMENT 23

5. UNCERTAINTY OF EVALUATION 24

APPENDIX A. SETUP PHOTOGRAPHS



SUMMARY OF TEST RESULT

Report Section	FCC Rule	Description	Limit	Result	Remark
3.1	15.107	AC Conducted Emission	< 15.107 limits	PASS	Under limit 5.00 dB at 0.530 MHz
3.2	15.109	Radiated Emission	< 15.109 limits	PASS	Under limit 3.11 dB at 299.73 MHz for Quasi-Peak



1. General Description

1.1. Applicant

Planet Avvio LLC
9725 NW 117th Ave., Medley, FL 33178, United States

1.2. Manufacturer

Shenzhen Konka Telecommunications Technology Co., Ltd.
Overseas Chinese Town, Shenzhen Special Zone, P. R. China

1.3. Product Feature of Equipment Under Test

Product Feature	
Equipment	Mobile phone
Brand Name	Mint
Model Name	Mint M351
FCC ID	2ALTAM351X
EUT supports Radios application	GSM/GPRS/EGPRS/WCDMA/HSPA/HSPA+/LTE WLAN 2.4GHz 802.11b/g/n HT20/HT40 Bluetooth v3.0 + EDR/Bluetooth v4.0 LE
IMEI Code	Conduction: 351738090000431/351738090000449 Radiation: 351738090000456/351738090000464
HW Version	1.0
SW Version	KAAR8P_SAP_ES_EN_0.44.627
EUT Stage	Production Unit

Remark: The above EUT's information was declared by manufacturer. Please refer to the specifications or user's manual for more detailed description.



1.4. Product Specification of Equipment Under Test

Standards-related Product Specification	
Tx Frequency	GSM850: 824.2 MHz ~ 848.8 MHz GSM1900: 1850.2 MHz ~ 1909.8MHz WCDMA Band V: 826.4 MHz ~ 846.6 MHz WCDMA Band II: 1852.4 MHz ~ 1907.6 MHz LTE Band 2 : 1850.7 MHz ~ 1909.3 MHz LTE Band 4 : 1710.7 MHz ~ 1754.3 MHz LTE Band 7 : 2502.5 MHz ~ 2567.5 MHz 802.11b/g/n: 2412 MHz ~ 2462 MHz Bluetooth: 2402 MHz ~ 2480 MHz
Rx Frequency	GSM850: 869.2 MHz ~ 893.8 MHz GSM1900: 1930.2 MHz ~ 1989.8 MHz WCDMA Band V: 871.4 MHz ~ 891.6 MHz WCDMA Band II: 1932.4 MHz ~ 1987.6 MHz LTE Band 2 : 1930.7 MHz ~ 1989.3 MHz LTE Band 4 : 2110.7 MHz ~ 2154.3 MHz LTE Band 7 : 2622.5 MHz ~ 2687.5 MHz 802.11b/g/n: 2412 MHz ~ 2462 MHz Bluetooth: 2402 MHz ~ 2480 MHz GPS : 1.57542 GHz FM : 87.5 MHz ~ 108 MHz
Antenna Type	WWAN : PCB Antenna WLAN : PIFA Antenna Bluetooth : PIFA Antenna GPS : PIFA Antenna FM : External Headset Antenna
Type of Modulation	GSM: GMSK GPRS: GMSK EDGE(MCS 0-4): GMSK / (MCS 5-9): 8PSK WCDMA : BPSK (Uplink) HSDPA : QPSK (Uplink) HSUPA : QPSK (Uplink) HSPA+ : 16QAM LTE: QPSK / 16QAM 802.11b : DSSS (DBPSK / DQPSK / CCK) 802.11g/n : OFDM (BPSK / QPSK / 16QAM / 64QAM) Bluetooth LE : GFSK Bluetooth (1Mbps) : GFSK Bluetooth (2Mbps) : $\pi/4$ -DQPSK Bluetooth (3Mbps) : 8-DPSK GPS : BPSK FM

1.5. Modification of EUT

No modifications are made to the EUT during all test items.



1.6. Test Location

Sporton Lab is accredited to ISO 17025 by National Voluntary Laboratory Accreditation Program (NVLAP code: 600156-0) and the FCC designation No are CN5018 and CN5019.

Test Site	Sporton International (Shenzhen) Inc.	
Test Site Location	1/F, 2/F, Bldg 5, Shiling Industrial Zone, Xinwei Village, Xili, Nanshan Shenzhen City Guangdong Province 518055 China TEL: +86-755-8637-9589 FAX: +86-755-8637-9595	
Test Site No.	Sporton Site No.	FCC Test Firm Registration No.
	CO01-SZ	251365

Test Site	Sporton International (Shenzhen) Inc.	
Test Site Location	No. 3 Bldg the third floor of south, Shahe River west, Fengzeyuan Warehouse, Nanshan District Shenzhen City Guangdong Province 518055 China TEL: +86-755-3320-2398	
Test Site No.	Sporton Site No.	FCC Test Firm Registration No.
	03CH01-SZ	577730

Note: The test site complies with ANSI C63.4 2014 requirement.

1.7. Applicable Standards

According to the specifications of the manufacturer, the EUT must comply with the requirements of the following standards:

- FCC 47 CFR FCC Part 15 Subpart B
- ANSI C63.4-2014

Remark: All test items were verified and recorded according to the standards and without any deviation during the test.

2. Test Configuration of Equipment Under Test

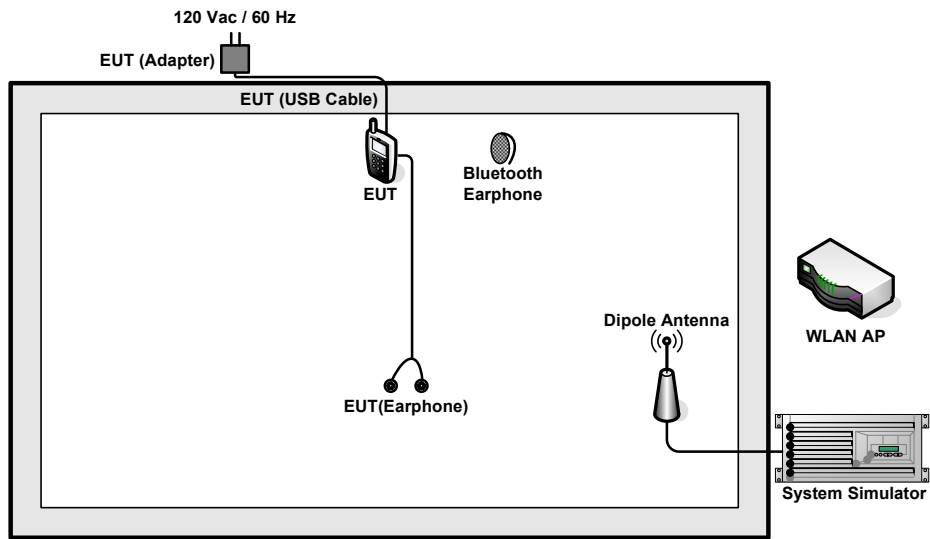
2.1. Test Mode

The EUT has been associated with peripherals pursuant to ANSI C63.4-2014 and configuration operated in a manner tended to maximize its emission characteristics in a typical application.

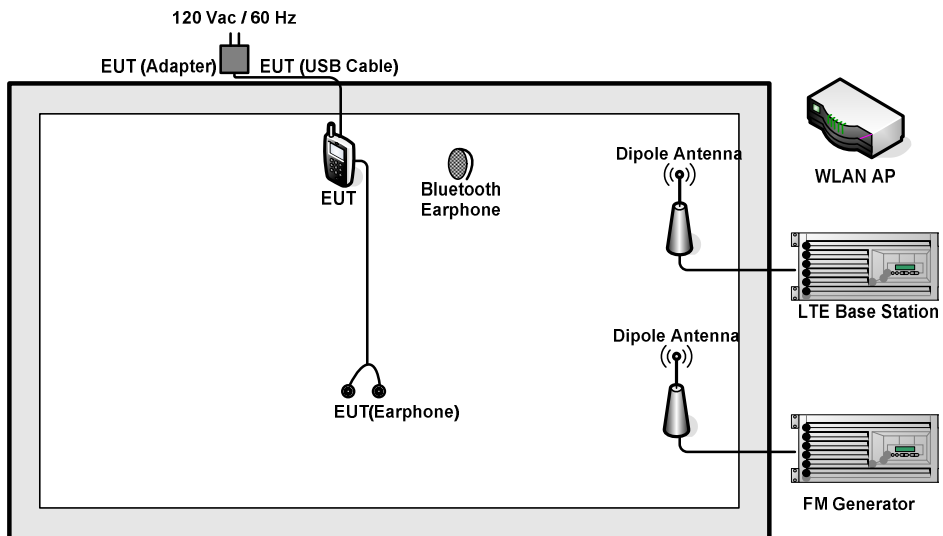
Frequency range investigated: conduction (150 kHz to 30 MHz), radiation (30MHz to the 5th harmonic of the highest fundamental frequency or to 40 GHz, whichever is lower).

Test Items	Function Type
AC Conducted Emission	Mode 1: GSM850 Idle + Bluetooth Idle + WLAN Idle(2.4G) + USB Cable (Charging from Adapter) + Earphone + Camera(Rear) with SIM1<Fig.1>
	Mode 2: GSM1900 Idle + Bluetooth Idle + WLAN Idle(2.4G) + USB Cable (Charging from Adapter) + Earphone + Camera(Front) with SIM2<Fig.1>
	Mode 3: WCDMA Band V Idle + Bluetooth Idle + WLAN Idle(2.4G) + USB Cable (Charging from Adapter) + Earphone + MPEG4 with SIM1<Fig.1>
	Mode 4: LTE Band 2 Idle + Bluetooth Idle + WLAN Idle(2.4G) + USB Cable (Charging from Adapter) + Earphone + FM RX with SIM2<Fig.2>
	Mode 5: LTE Band 7 Idle + Bluetooth Idle + WLAN Idle(2.4G) + USB Cable (Data Link with Notebook) + Earphone + GPS RX with SIM1<Fig.3>
Radiated Emissions < 1GHz	Mode 1: GSM850 Idle + Bluetooth Idle + WLAN Idle(2.4G) + USB Cable (Charging from Adapter) + Earphone + Camera(Rear) with SIM1<Fig.1>
	Mode 2: GSM1900 Idle + Bluetooth Idle + WLAN Idle(2.4G) + USB Cable (Charging from Adapter) + Earphone + Camera(Front) with SIM2<Fig.1>
	Mode 3: WCDMA Band V Idle + Bluetooth Idle + WLAN Idle(2.4G) + USB Cable (Charging from Adapter) + Earphone + MPEG4 with SIM1<Fig.1>
	Mode 4: LTE Band 2 Idle + Bluetooth Idle + WLAN Idle(2.4G) + USB Cable (Charging from Adapter) + Earphone + FM RX with SIM2<Fig.2>
	Mode 5: LTE Band 7 Idle + Bluetooth Idle + WLAN Idle(2.4G) + USB Cable (Data Link with Notebook) + Earphone + GPS RX with SIM1<Fig.3>
Radiated Emissions ≥ 1GHz	Mode 1: LTE Band 7 Idle + Bluetooth Idle + WLAN Idle(2.4G) + USB Cable (Data Link with Notebook) + GPS RX with SIM1<Fig.3>
Remark:	
<ol style="list-style-type: none"> The worst case of AC is mode 4; and the USB Link mode is mode 5, the test data of this mode was reported. The worst case of RE < 1G is mode 5; and the USB Link mode is mode 5, the test data of this mode was reported. Data Link with Notebook means data application transferred mode between EUT and Notebook. 	

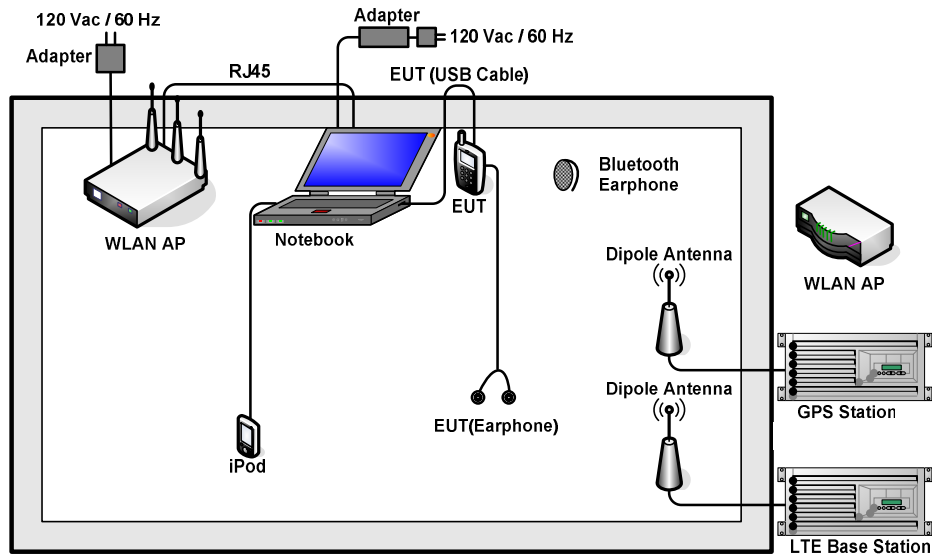
2.2. Connection Diagram of Test System



<Fig.1>



<Fig.2>



<Fig.3>

2.3. Support Unit used in test configuration and system

Item	Equipment	Trade Name	Model Name	FCC ID	Data Cable	Power Cord
1.	System Simulator	R&S	CMU 200	N/A	N/A	Unshielded, 1.8 m
2.	LTE Base Station	Anritsu	MT8820C	N/A	N/A	Unshielded, 1.8 m
3.	GPS Station	ADIVIC	MP9000	N/A	N/A	Unshielded, 1.8 m
4.	WLAN AP	D-Link	DIR-820L	KA2IR820LA1	N/A	Unshielded, 1.8m
5.	WLAN AP	ASUS	RT-AC66U	MSQ-RTAC66U	N/A	Unshielded, 1.8m
6.	Bluetooth Earphone	Nokia	BH-108	PYAHS-107W	N/A	N/A
7.	Bluetooth Earphone	Samsung	HS3000	A3LHS3000	N/A	N/A
8.	Notebook	Lenovo	E450	FCC DoC	N/A	AC I/P : Unshielded, 1.2m DC O/P : Shielded, 1.8m
9.	iPod nano 8GB	Apple	MC690ZP/A	FCC DoC	Shielded, 1.2m	N/A
10.	iPod	Apple	MC525 ZP/A	DoC	Shielded, 1.0m	N/A
11.	SD Card	N/A	MicroSD HC	FCC DoC	N/A	N/A
12.	SD Card	Kingston	MicroSD HC	FCC DoC	N/A	N/A



2.4. EUT Operation Test Setup

The EUT was in GSM or WCDMA or LTE idle mode during the testing. The EUT was synchronized to the BCCH, and is in continuous receiving mode by setting system simulator's paging reorganization.

At the same time, the EUT was attached to the Bluetooth earphone or WLAN AP, and the following programs installed in the EUT were programmed during the test.

1. Data application is transferred between Notebook and EUT via USB cable.
2. Turn on GPS function to make the EUT receive continuous signals from GPS station.
3. Execute "Video player" to play MPEG4 files.
4. Turn on camera to capture images.



3. Test Result

3.1. Test of AC Conducted Emission Measurement

3.1.1 Limits of AC Conducted Emission

For equipment that is designed to be connected to the public utility (AC) power line, the radio frequency voltage that is conducted back onto the AC power line on any frequency or frequencies within the band 150 kHz to 30 MHz shall not exceed the limits in the following table.

Frequency of emission (MHz)	Conducted limit (dBuV)	
	Quasi-peak	Average
0.15-0.5	66 to 56*	56 to 46*
0.5-5	56	46
5-30	60	50

*Decreases with the logarithm of the frequency.

3.1.2 Measuring Instruments

The measuring equipment is listed in the section 4 of this test report.

3.1.3 Test Procedure

1. The EUT was placed 0.4 meter from the conducting wall of the shielding room was kept at least 80 centimeters from any other grounded conducting surface.
2. Connect EUT to the power mains through a line impedance stabilization network (LISN).
3. All the support units are connecting to the other LISN.
4. The LISN provides 50 ohm coupling impedance for the measuring instrument.
5. The FCC states that a 50 ohm, 50 microhenry LISN should be used.
6. Both sides of AC line were checked for maximum conducted interference.
7. The frequency range from 150 kHz to 30 MHz was searched.
8. Set the test-receiver system to Peak Detect Function and specified bandwidth (IF Bandwidth = 9kHz) with Maximum Hold Mode. Then measurement is also conducted by Average Detector and Quasi-Peak Detector Function respectively.

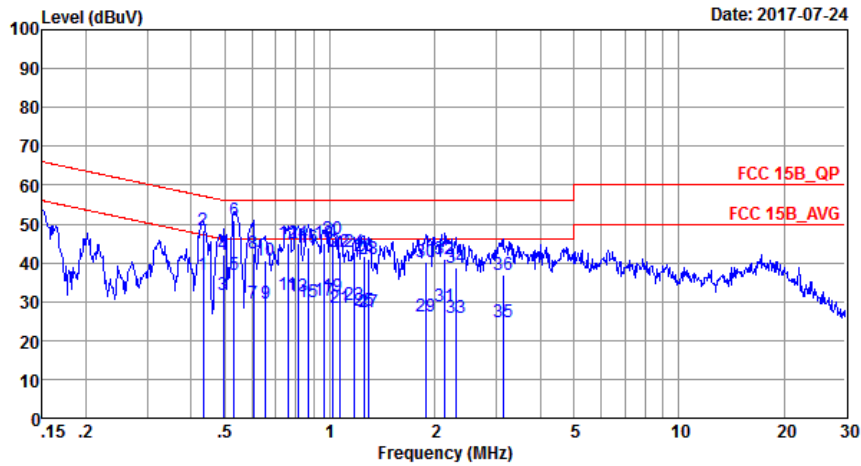
3.1.4 Test Setup





3.1.5 Test Result of AC Conducted Emission

Test Mode :	Mode 4	Temperature :	22~25°C
Test Engineer :	HaoHai YE	Relative Humidity :	50~55%
Test Voltage :	120Vac / 60Hz	Phase :	Line
Function Type :	LTE Band 2 Idle + Bluetooth Idle + WLAN Idle(2.4G) + USB Cable (Charging from Adapter) + Earphone + FM RX with SIM2		



Site : C001-SZ
 Condition: FCC 15B QP LISN_20170301_L LINE

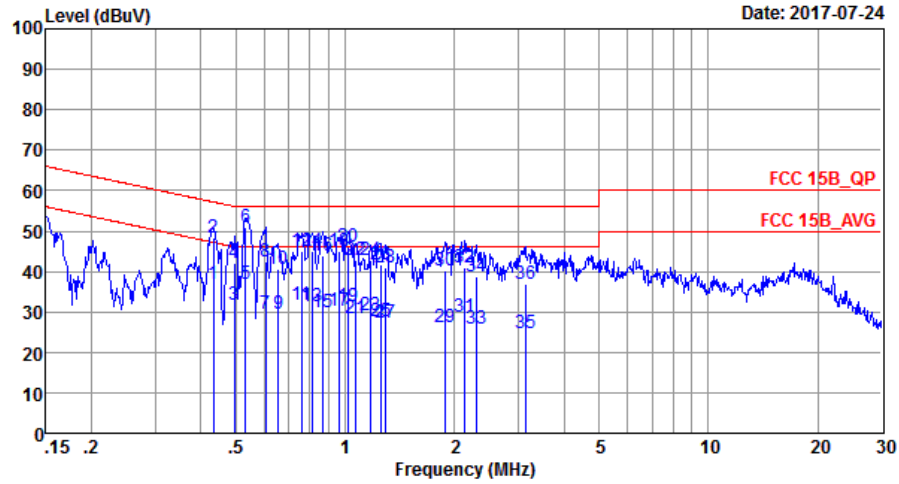
Mode : Mode 4
 IMEI : 351738090000431/351738090000449

	Freq	Level	Over Limit	Limit	Read	LISN	Cable	Remark
	MHz	dBuV	dB	dBuV	dBuV	dB	dB	
1	0.43	37.01	-10.19	47.20	26.79	0.03	10.19	Average
2	0.43	48.41	-8.79	57.20	38.19	0.03	10.19	QP
3	0.49	31.70	-14.40	46.10	21.50	0.02	10.18	Average
4	0.49	42.20	-13.90	56.10	32.00	0.02	10.18	QP
5	0.53	36.90	-9.10	46.00	26.70	0.02	10.18	Average
6 *	0.53	51.00	-5.00	56.00	40.80	0.02	10.18	QP
7	0.60	29.49	-16.51	46.00	19.30	0.02	10.17	Average
8	0.60	42.39	-13.61	56.00	32.20	0.02	10.17	QP
9	0.65	29.59	-16.41	46.00	19.40	0.02	10.17	Average
10	0.65	40.69	-15.31	56.00	30.50	0.02	10.17	QP
11	0.76	31.59	-14.41	46.00	21.40	0.03	10.16	Average
12	0.76	44.89	-11.11	56.00	34.70	0.03	10.16	QP
13	0.81	31.40	-14.60	46.00	21.20	0.04	10.16	Average
14	0.81	45.10	-10.90	56.00	34.90	0.04	10.16	QP
15	0.87	29.91	-16.09	46.00	19.70	0.05	10.16	Average
16	0.87	43.81	-12.19	56.00	33.60	0.05	10.16	QP
17	0.96	30.22	-15.78	46.00	20.01	0.06	10.15	Average
18	0.96	44.92	-11.08	56.00	34.71	0.06	10.15	QP
19	1.02	31.42	-14.58	46.00	21.20	0.07	10.15	Average
20	1.02	46.22	-9.78	56.00	36.00	0.07	10.15	QP
21	1.07	28.52	-17.48	46.00	18.30	0.07	10.15	Average
22	1.07	42.62	-13.38	56.00	32.40	0.07	10.15	QP
23	1.18	29.13	-16.87	46.00	18.90	0.08	10.15	Average
24	1.18	42.93	-13.07	56.00	32.70	0.08	10.15	QP
25	1.25	27.64	-18.36	46.00	17.41	0.08	10.15	Average
26	1.25	41.84	-14.16	56.00	31.61	0.08	10.15	QP
27	1.30	27.34	-18.66	46.00	17.10	0.09	10.15	Average
28	1.30	41.14	-14.86	56.00	30.90	0.09	10.15	QP
29	1.89	26.17	-19.83	46.00	15.90	0.11	10.16	Average



Data: 7

Date: 2017-07-24



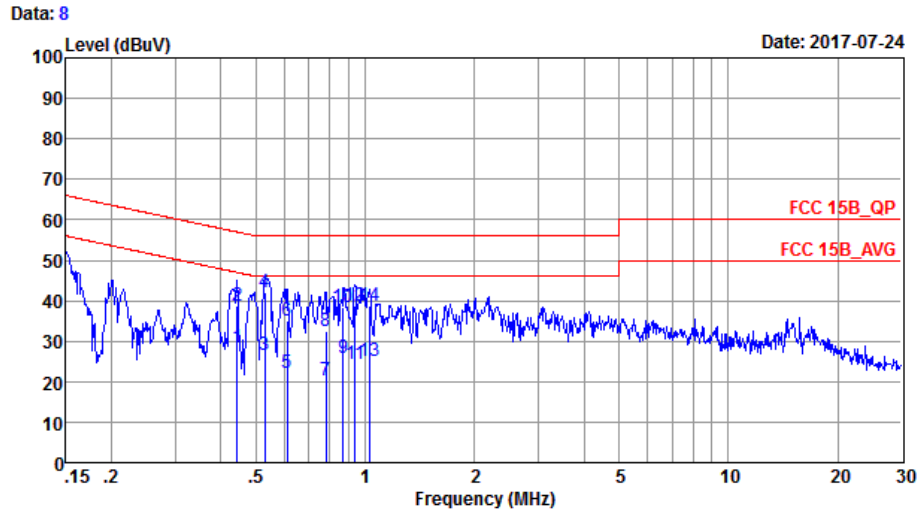
Site : CO01-SZ
 Condition: FCC 15B_QP LISN_20170301_L LINE

Mode : Mode 4
 IMEI : 351738090000431/351738090000449

	Freq	Level	Over Limit	Limit Line	Read Level	LISN Factor	Cable Loss	Remark
	MHz	dBuV	dB	dBuV	dBuV	dB	dB	
30	1.89	40.07	-15.93	56.00	29.80	0.11	10.16	QP
31	2.13	28.69	-17.31	46.00	18.40	0.12	10.17	Average
32	2.13	41.09	-14.91	56.00	30.80	0.12	10.17	QP
33	2.31	26.01	-19.99	46.00	15.70	0.13	10.18	Average
34	2.31	38.91	-17.09	56.00	28.60	0.13	10.18	QP
35	3.14	24.68	-21.32	46.00	14.30	0.16	10.22	Average
36	3.14	36.98	-19.02	56.00	26.60	0.16	10.22	QP



Test Mode :	Mode 4	Temperature :	22~25°C
Test Engineer :	HaoHai YE	Relative Humidity :	50~55%
Test Voltage :	120Vac / 60Hz	Phase :	Neutral
Function Type :	LTE Band 2 Idle + Bluetooth Idle + WLAN Idle(2.4G) + USB Cable (Charging from Adapter) + Earphone + FM RX with SIM2		



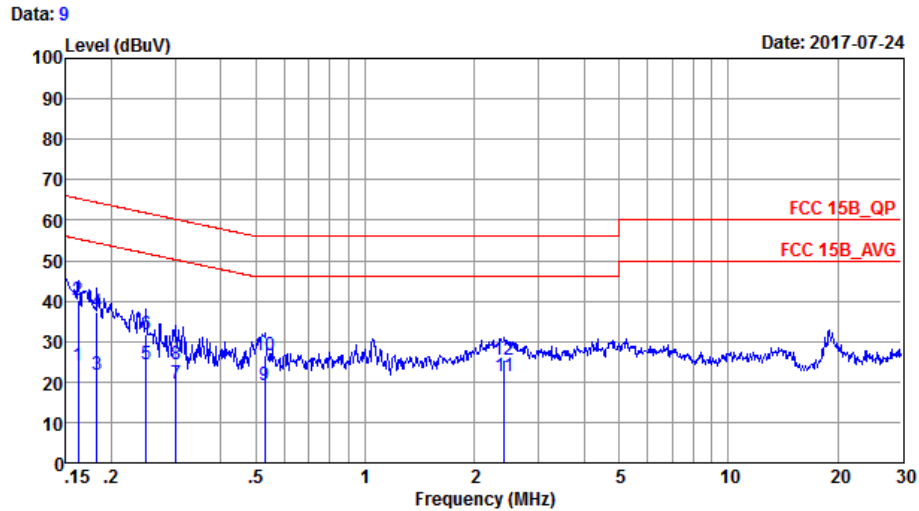
Site : C001-SZ
 Condition: FCC 15B_QP LISN_20170301_N NEUTRAL

Mode : Mode 4
 IMEI : 351738090000431/351738090000449

	Freq	Level	Over Limit	Limit Line	Read Level	LISN Factor	Cable Loss	Remark
	MHz	dBuV	dB	dBuV	dBuV	dB	dB	
1	0.44	28.31	-18.67	46.98	18.10	0.02	10.19	Average
2	0.44	38.91	-18.07	56.98	28.70	0.02	10.19	QP
3	0.53	26.60	-19.40	46.00	16.40	0.02	10.18	Average
4 *	0.53	42.20	-13.80	56.00	32.00	0.02	10.18	QP
5	0.61	21.99	-24.01	46.00	11.80	0.02	10.17	Average
6	0.61	35.09	-20.91	56.00	24.90	0.02	10.17	QP
7	0.78	20.39	-25.61	46.00	10.20	0.03	10.16	Average
8	0.78	32.59	-23.41	56.00	22.40	0.03	10.16	QP
9	0.87	25.89	-20.11	46.00	15.69	0.04	10.16	Average
10	0.87	38.29	-17.71	56.00	28.09	0.04	10.16	QP
11	0.94	24.20	-21.80	46.00	14.01	0.04	10.15	Average
12	0.94	38.80	-17.20	56.00	28.61	0.04	10.15	QP
13	1.03	25.10	-20.90	46.00	14.90	0.05	10.15	Average
14	1.03	38.60	-17.40	56.00	28.40	0.05	10.15	QP



Test Mode :	Mode 5	Temperature :	22~25°C
Test Engineer :	HaoHai YE	Relative Humidity :	50~55%
Test Voltage :	120Vac / 60Hz	Phase :	Line
Function Type :	LTE Band 7 Idle + Bluetooth Idle + WLAN Idle(2.4G) + USB Cable (Data Link with Notebook) + Earphone + GPS RX with SIM1		



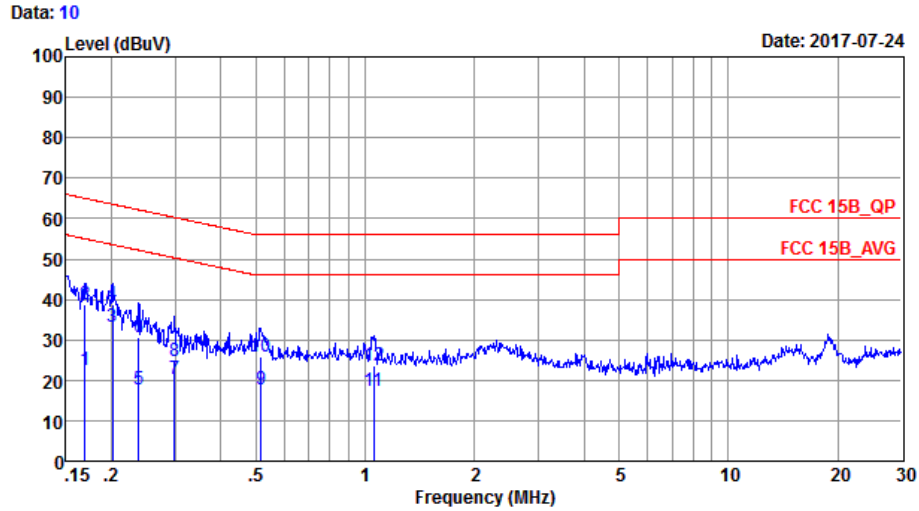
Site : CO01-SZ
Condition: FCC 15B_QP LISN_20170301_L LINE

Mode : Mode 5
IMEI : 351738090000431/351738090000449

	Freq	Level	Over Limit	Limit Line	Read Level	LISN Factor	Cable Loss	Remark
	MHz	dBuV	dB	dBuV	dBuV	dB	dB	
1	0.16	23.89	-31.45	55.34	13.50	0.03	10.36	Average
2	0.16	40.09	-25.25	65.34	29.70	0.03	10.36	QP
3	0.18	21.71	-32.66	54.37	11.40	0.03	10.28	Average
4	0.18	37.21	-27.16	64.37	26.90	0.03	10.28	QP
5	0.25	24.35	-27.43	51.78	14.10	0.03	10.22	Average
6	0.25	31.55	-30.23	61.78	21.30	0.03	10.22	QP
7	0.30	19.45	-30.74	50.19	9.20	0.03	10.22	Average
8	0.30	24.35	-35.84	60.19	14.10	0.03	10.22	QP
9	0.53	19.20	-26.80	46.00	9.00	0.02	10.18	Average
10	0.53	26.70	-29.30	56.00	16.50	0.02	10.18	QP
11 *	2.42	21.32	-24.68	46.00	11.01	0.13	10.18	Average
12	2.42	25.32	-30.68	56.00	15.01	0.13	10.18	QP



Test Mode :	Mode 5	Temperature :	22~25°C
Test Engineer :	HaoHai YE	Relative Humidity :	50~55%
Test Voltage :	120Vac / 60Hz	Phase :	Neutral
Function Type :	LTE Band 7 Idle + Bluetooth Idle + WLAN Idle(2.4G) + USB Cable (Data Link with Notebook) + Earphone + GPS RX with SIM1		



Site : CO01-SZ
 Condition: FCC 15B_QP LISN_20170301_N NEUTRAL

Mode : Mode 5
 IMEI : 351738090000431/351738090000449

	Freq	Level	Over Limit	Limit	Read	LISN	Cable	
	MHz	dBuV	dB	dBuV	dBuV	dB	dB	Remark
1	0.17	22.47	-32.52	54.99	12.11	0.03	10.33	Average
2	0.17	38.86	-26.13	64.99	28.50	0.03	10.33	QP
3 *	0.20	33.15	-20.39	53.54	22.90	0.03	10.22	Average
4	0.20	38.65	-24.89	63.54	28.40	0.03	10.22	QP
5	0.24	17.65	-34.52	52.17	7.40	0.03	10.22	Average
6	0.24	30.65	-31.52	62.17	20.40	0.03	10.22	QP
7	0.30	20.35	-29.93	50.28	10.10	0.03	10.22	Average
8	0.30	24.75	-35.53	60.28	14.50	0.03	10.22	QP
9	0.52	17.70	-28.30	46.00	7.50	0.02	10.18	Average
10	0.52	26.00	-30.00	56.00	15.80	0.02	10.18	QP
11	1.05	17.30	-28.70	46.00	7.10	0.05	10.15	Average
12	1.05	23.70	-32.30	56.00	13.50	0.05	10.15	QP



3.2. Test of Radiated Emission Measurement

3.2.1. Limit of Radiated Emission

The emissions from an unintentional radiator shall not exceed the field strength levels specified in the following table:

Frequency (MHz)	Field Strength (microvolts/meter)	Measurement Distance (meters)
30 – 88	100	3
88 – 216	150	3
216 - 960	200	3
Above 960	500	3

3.2.2. Measuring Instruments

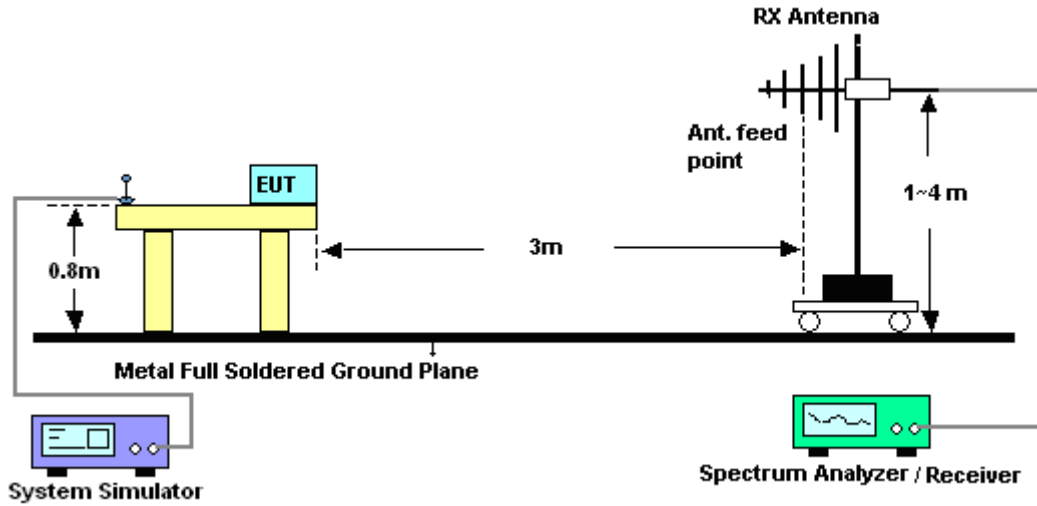
The measuring equipment is listed in the section 4 of this test report.

3.2.3. Test Procedures

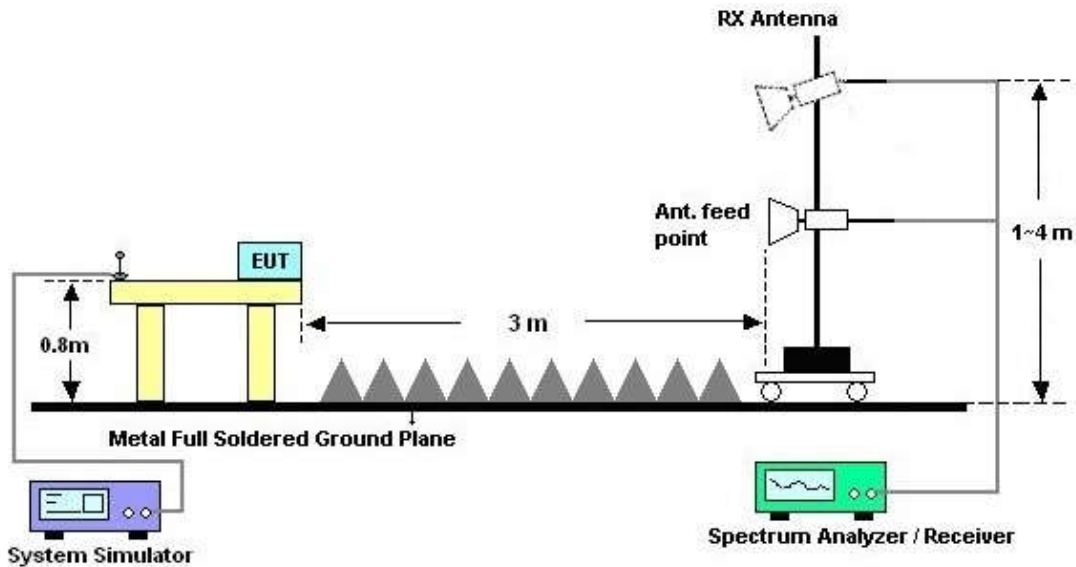
1. The EUT was placed on a turntable with 0.8 meter above ground.
2. The EUT was set 3 meters from the interference receiving antenna, which was mounted on the top of a variable height antenna tower.
3. The table was rotated 360 degrees to determine the position of the highest radiation.
4. The antenna is a Bi-Log antenna and its height is adjusted between one to four meters above ground to find the maximum value of the field strength for both horizontal polarization and vertical polarization of the antenna.
5. For each suspected emission, the EUT was arranged to its worst case and then tune the antenna tower (from 1 m to 4 m) and turntable (from 0 degree to 360 degrees) to find the maximum reading.
6. Set the test-receiver system to Peak Detect Function and specified bandwidth with Maximum Hold Mode (RBW=120kHz/VBW=300kHz for frequency below 1GHz; RBW=1MHz VBW=3MHz (Peak), RBW=1MHz/VBW=10Hz (Average) for frequency above 1GHz).
7. If the emission level of the EUT in peak mode was 3 dB lower than the limit specified, peak values of EUT will be reported. Otherwise, the emission will be repeated by using the quasi-peak method and reported.
8. Emission level (dBµV/m) = 20 log Emission level (µV/m)
9. Corrected Reading: Antenna Factor + Cable Loss + Read Level - Preamp Factor = Level

3.2.4. Test Setup of Radiated Emission

For radiated emissions from 30MHz to 1GHz



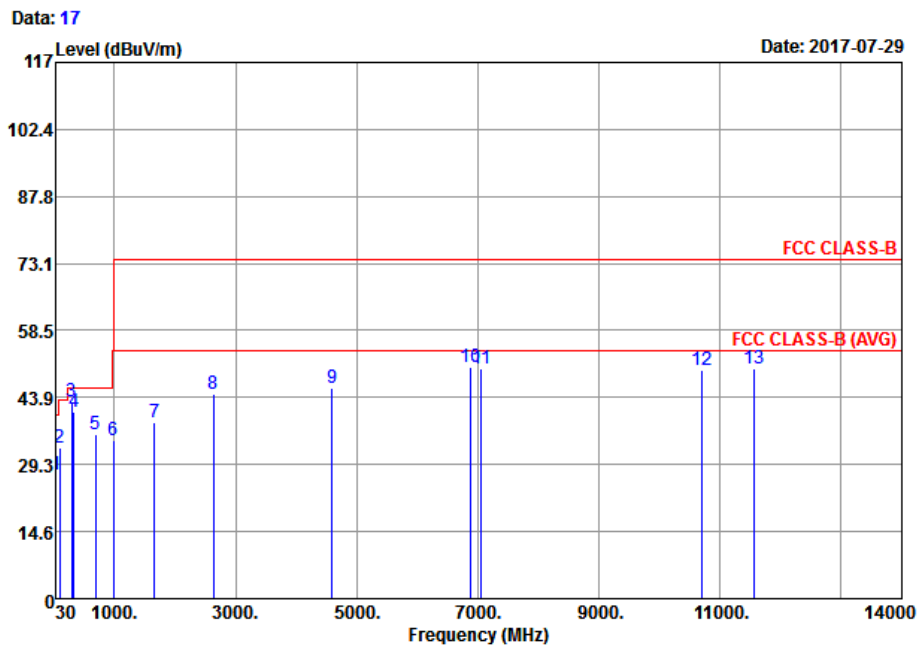
For radiated emissions above 1GHz





3.2.5. Test Result of Radiated Emission

Test Mode :	Mode 5	Temperature :	24~25°C
Test Engineer :	Liu lun	Relative Humidity :	48~49%
Test Distance :	3m	Polarization :	Horizontal
Function Type :	LTE Band 7 Idle + Bluetooth Idle + WLAN Idle(2.4G) + USB Cable (Data Link with Notebook) + GPS RX with SIM1		
Remark :	#8 is system simulator signal which can be ignored.		

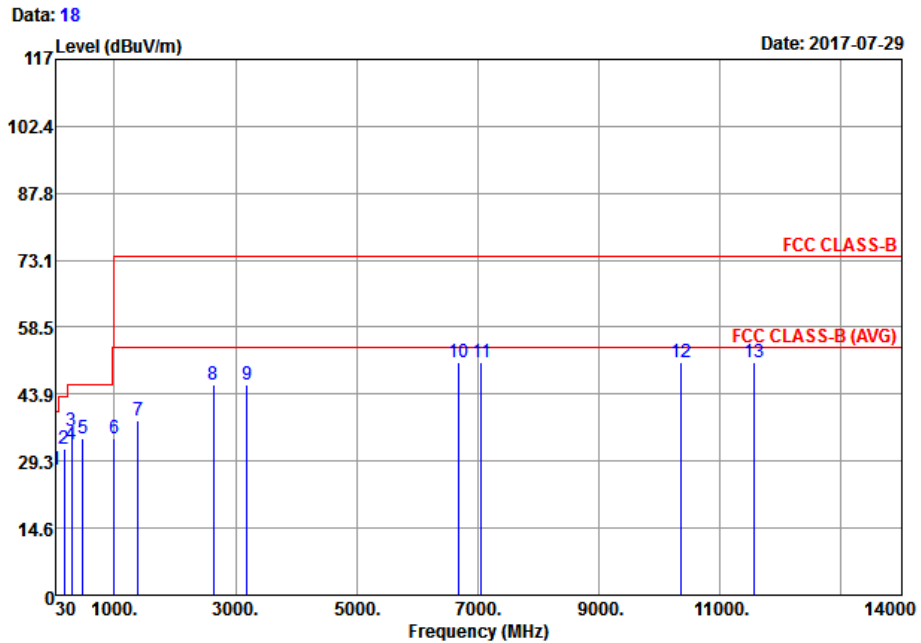


Site : 03CH01-SZ
 Condition : FCC CLASS-B 3m LF_ANT(35407)_6 HORIZONTAL
 Mode : Mode 5
 IMEI : 351738090000456/351738090000464

	Freq	Level	Over	Limit	ReadAntenna	Cable	Preamp	A/Pos	T/Pos	Remark
	MHz	dBuV/m	dB	dBuV/m	dBuV	dB	dB	cm	deg	
1	31.62	27.07	-12.93	40.00	32.45	26.00	0.27	31.65	---	Peak
2	99.93	32.98	-10.52	43.50	44.43	19.30	0.85	31.60	---	Peak
3	299.73	42.89	-3.11	46.00	53.65	18.50	2.04	31.30	102	0 QP
4	335.00	40.81	-5.19	46.00	50.13	19.82	2.16	31.30	155	62 QP
5	685.70	35.99	-10.01	46.00	37.80	26.45	3.24	31.50	---	Peak
6	986.00	34.64	-19.36	54.00	32.01	29.99	4.14	31.50	---	Peak
7	1664.00	38.57	-35.43	74.00	65.33	25.33	5.36	57.45	---	Peak
8	2640.00	44.61			66.39	27.79	7.15	56.72	---	Peak
9	4590.00	46.09	-27.91	74.00	61.14	31.49	10.64	57.18	---	Peak
10	6876.00	50.66	-23.34	74.00	58.40	34.79	15.33	57.86	150	20 Peak
11	7062.00	50.05	-23.95	74.00	58.53	35.22	14.36	58.06	---	Peak
12	10696.00	50.00	-24.00	74.00	51.56	39.94	14.70	56.20	---	Peak
13	11554.00	50.20	-23.80	74.00	51.21	40.18	14.90	56.09	---	Peak



Test Mode :	Mode 5	Temperature :	24~25°C
Test Engineer :	Liu lun	Relative Humidity :	48~49%
Test Distance :	3m	Polarization :	Vertical
Function Type :	LTE Band 7 Idle + Bluetooth Idle + WLAN Idle(2.4G) + USB Cable (Data Link with Notebook) + GPS RX with SIM1		
Remark :	#8 is system simulator signal which can be ignored.		



Site : 03CH01-SZ
 Condition : FCC CLASS-B 3m LF_ANT(35407)_6 VERTICAL
 Mode : Mode 5
 IMEI : 351738090000456/351738090000464

	Freq	Level	Over Limit	Limit Line	ReadAntenna Level	Antenna Factor	Cable Loss	Preamp Factor	A/Pos	T/Pos	Remark
	MHz	dBuV/m	dB	dBuV/m	dBuV	dB/m	dB	dB	cm	deg	
1	30.54	27.48	-12.52	40.00	32.63	26.30	0.25	31.70	---	---	Peak
2	166.35	31.91	-11.59	43.50	44.40	17.43	1.41	31.33	---	---	Peak
3	298.65	35.72	-10.28	46.00	46.49	18.48	2.04	31.29	180	350	Peak
4	300.00	32.83	-13.17	46.00	43.59	18.50	2.04	31.30	---	---	Peak
5	479.90	34.31	-11.69	46.00	39.35	23.67	2.65	31.36	---	---	Peak
6	997.90	34.38	-19.62	54.00	31.60	30.08	4.20	31.50	---	---	Peak
7	1394.00	38.24	-35.76	74.00	66.38	24.69	4.90	57.73	---	---	Peak
8	2636.00	45.80			67.58	27.79	7.15	56.72	---	---	Peak
9	3190.00	46.01	-27.99	74.00	65.46	28.52	9.04	57.01	---	---	Peak
10	6684.00	50.95	-23.05	74.00	58.54	34.25	15.69	57.53	---	---	Peak
11	7056.00	50.77	-23.23	74.00	59.28	35.19	14.36	58.06	---	---	Peak
12	10364.00	50.98	-23.02	74.00	53.21	39.61	14.61	56.45	130	200	Peak
13	11562.00	50.77	-23.23	74.00	51.78	40.18	14.90	56.09	---	---	Peak



4. List of Measuring Equipment

Instrument	Manufacturer	Model No.	Serial No.	Characteristics	Calibration Date	Test Date	Due Date	Remark
EMI Receiver	R&S	ESR7	101630	9kHz~7GHz;	Jan. 06, 2017	Jul. 24, 2017	Jan. 05, 2018	Conduction (CO01-SZ)
AC LISN	EMCO	3816/2SH	00103892	9kHz~30MHz	Jan. 05, 2017	Jul. 24, 2017	Jan. 04, 2018	Conduction (CO01-SZ)
AC LISN (for auxiliary equipment)	MessTec	3816/2SH	00103912	9kHz~30MHz	Jan. 05, 2017	Jul. 24, 2017	Jan. 04, 2018	Conduction (CO01-SZ)
AC Power Source	Chroma	61601	616010001985	N/A	NCR	Jul. 24, 2017	NCR	Conduction (CO01-SZ)
Pulse Limiter	COM-POWER	LIT-153 Transient Limiter	53139	150kHz~30MHz	Oct. 11, 2016	Jul. 24, 2017	Oct. 10, 2017	Conduction (CO01-SZ)
RF Cable	Woken	B0720#0001	CO01SZ0007	150kHz~30MHz	Oct. 08, 2016	Jul. 24, 2017	Oct. 07, 2017	Conduction (CO01-SZ)
EMI Test Receiver&SA	Agilent	N9038A	MY52260185	20Hz~26.5GHz	Apr. 20, 2017	Jul. 29, 2017	Apr. 19, 2018	Radiation (03CH01-SZ)
HF Amplifier	KEYSIGHT	83017A	MY53270104	0.5GHz~26.5GHz	Oct. 11, 2016	Jul. 29, 2017	Oct. 10, 2017	Radiation (03CH01-SZ)
Bilog Antenna	TeseQ	CBL6112D	23188	30MHz~2GHz	Feb. 25, 2017	Jul. 29, 2017	Feb. 24, 2018	Radiation (03CH01-SZ)
LF Amplifier	Burgeon	BPA-530	102209	0.01~3000Mhz	Apr. 20, 2017	Jul. 29, 2017	Apr. 19, 2018	Radiation (03CH01-SZ)
Double Ridge Horn Antenna	SCHWARZBECK	BBHA9120D	9120D-1355	1GHz~18GHz	Jul. 09, 2017	Jul. 29, 2017	Jul. 08, 2018	Radiation (03CH01-SZ)
AC Power Source	Chroma	61601	616010001985	N/A	NCR	Jul. 29, 2017	NCR	Radiation (03CH01-SZ)
Turn Table	EM	EM1000	N/A	0~360 degree	NCR	Jul. 29, 2017	NCR	Radiation (03CH01-SZ)
Antenna Mast	EM	EM1000	N/A	1 m~4 m	NCR	Jul. 29, 2017	NCR	Radiation (03CH01-SZ)

NCR: No Calibration Required



5. Uncertainty of Evaluation

Uncertainty of Conducted Emission Measurement (150 kHz ~ 30 MHz)

Measuring Uncertainty for a Level of Confidence of 95% ($U = 2Uc(y)$)	2.5 dB
---	--------

Uncertainty of Radiated Emission Measurement (30 MHz ~ 1000 MHz)

Measuring Uncertainty for a Level of Confidence of 95% ($U = 2Uc(y)$)	5.1 dB
---	--------

Uncertainty of Radiated Emission Measurement (1GHz ~ 18GHz)

Measuring Uncertainty for a Level of Confidence of 95% ($U = 2Uc(y)$)	5.2 dB
---	--------