

Technical Description

The Equipment Under Test (EUT) is a Shower Speaker. The EUT operates at frequency range of 2402MHz to 2480MHz. There are total 79 channels with 1MHz channel spacing. The EUT can play wireless audio signal when paired with a Bluetooth device. The audio signal is then amplified and driving internal loudspeaker. The EUT is powered by a 3.7V internal rechargeable battery which can be charged via USB port. The applicant declared that Bluetooth 4.0 BLE is not used in the product. The USB port is for charging only.

2.4GHz Bluetooth Module:

Modulation Type: GFSK

Antenna Type: Integral, Internal (PCB Trace)

Frequency Range: 2402MHz - 2480MHz, 1MHz channel spacing, 79 channels

EIRP range is -4dBm to 4dBm

Antenna gain is 2dBi

The main components are described below:

1. RDA5856E is the 2.4GHz Bluetooth RF radio core
2. X1 26MHz crystal is master clock for RDA5856E
3. 8002 is audio amplifier
4. TVS is Transient Voltage Suppressor for battery charger

Bluetooth 3.0

CH. NO.	FRE.	Hex Value		CH. NO.	FRE.	Hex Value		CH. NO	FRE.	Hex Value		CH. NO	FRE.	Hex Value
CH0	2402MHz	0		CH26	2428MHz	1A		CH52	2454MHz	34		CH78	2480MHz	4E
CH1	2403MHz	1		CH27	2429MHz	1B		CH53	2455MHz	35				
CH2	2404MHz	2		CH28	2430MHz	1C		CH54	2456MHz	36				
CH3	2405MHz	3		CH29	2431MHz	1D		CH55	2457MHz	37				
CH4	2406MHz	4		CH30	2432MHz	1E		CH56	2458MHz	38				
CH5	2407MHz	5		CH31	2433MHz	1F		CH57	2459MHz	39				
CH6	2408MHz	6		CH32	2434MHz	20		CH58	2460MHz	3A				
CH7	2409MHz	7		CH33	2435MHz	21		CH59	2461MHz	3B				
CH8	2410MHz	8		CH34	2436MHz	22		CH60	2462MHz	3C				
CH9	2411MHz	9		CH35	2437MHz	23		CH61	2463MHz	3D				
CH10	2412MHz	A		CH36	2438MHz	24		CH62	2464MHz	3E				
CH11	2413MHz	B		CH37	2439MHz	25		CH63	2465MHz	3F				
CH12	2414MHz	C		CH38	2440MHz	26		CH64	2466MHz	40				
CH13	2415MHz	D		CH39	2441MHz	27		CH65	2467MHz	41				
CH14	2416MHz	E		CH40	2442MHz	28		CH66	2468MHz	42				
CH15	2417MHz	F		CH41	2443MHz	29		CH67	2469MHz	43				
CH16	2418MHz	10		CH42	2444MHz	2A		CH68	2470MHz	44				
CH17	2419MHz	11		CH43	2445MHz	2B		CH69	2471MHz	45				
CH18	2420MHz	12		CH44	2446MHz	2C		CH70	2472MHz	46				
CH19	2421MHz	13		CH45	2447MHz	2D		CH71	2473MHz	47				
CH20	2422MHz	14		CH46	2448MHz	2E		CH72	2474MHz	48				
CH21	2423MHz	15		CH47	2449MHz	2F		CH73	2475MHz	49				
CH22	2424MHz	16		CH48	2450MHz	30		CH74	2476MHz	4A				
CH23	2425MHz	17		CH49	2451MHz	31		CH75	2477MHz	4B				
CH24	2426MHz	18		CH50	2452MHz	32		CH76	2478MHz	4C				
CH25	2427MHz	19		CH51	2453MHz	33		CH77	2479MHz	4D				

Features

- Bluetooth v4.2 specification compliant, supports BR/EDR
- Bluetooth radio includes integrated balun
- Support A2DP 1.2, HFP 1.5 and AVRCP1.5
- 104MHz RISC MCU and 104MHz Voice Co-Processor(VoC) DSP core
- Internal MCU ROM and RAM, VoC memory and in-package serial flash memory.
- Various serial interfaces: USB OTG 2.0 HS, UART, I2C Master and SD Card Interface
- Support analog key
- Up to 4 PWM output
- Independent powered Real-Time Clock
- One channel 16 bits voice ADC and 16 bits stereo DAC
- Audio interfaces: analog stereo line in
- Support MP3/SBC/WMA/ACC decoder
- Support audio playback from SD/USB card
- Integrated broadcast FM tuner which can be tuned word-wide frequency band
- Debug host interface allowing non-intrusive in depth investigation GDB debugger
- Internal 32K OSC for standby, shutoff and sleep state
- Integrated LDO

General Description

RDA5856TE is a high performance, highly integrated multi-media system-on-chip solution with Bluetooth connectivity, which specialized in music and audio applications.

Integrating all essential electronic components, including baseband, bluetooth transceiver, power management, FM receiver onto a single system on chip, RDA5856TE offers best in class bill of material, space requirement and cost/feature ratio for bluetooth music and audio application.

RDA5856TE

High performance, highly integrated multi-media system-on-chip solution with bluetooth connectivity

Applications

- Bluetooth speakers
- Bluetooth music box
- Bluetooth headset or headphone

The 104MHz Voice Co-Processor supports various audio applications. The integrated audio codec supports two channels DAC and one channel ADC. Playback form SD card and USB card are also supported.

Table of Contents

Table of Contents	2
1. Product Details	3
2. Package and Pinout	4
2.1. Pin Assignment	4
2.2. Pin Description	4
2.3. Package Dimensions	5
3. Function Block Diagram	6
4. Clock and reset	6
5. MCU	6
6. USB	7
7. VoC	7
8. Flash Controller	7
9. DMA	8
10. AIF	8
11. SDMMC Controller	8
12. Timer	8
13. GPIO	8
14. UART	9
15. Debug Host	9
16. I2C Master	9
17. Calendar	10
18. PWM	10
19. Audio Codec	10
20. Power Management	10
20.1. Power on/off control	11
20.2. Power Mode	11
21. Bluetooth Transceiver	11
22. FM	12
23. Electrical Characteristics	13
23.1. BT RF Specifications	13
23.2. FM RF Specifications	15
23.3. Audio Characteristics	15
23.4. Recommended Operating Conditions	15
24. Software	16
25. Revision History	17

1. Product Details

Bluetooth Radio

- Fully compliant with Bluetooth radio specification 4.2 including basic rate and EDR.
- On-chip Balun which combines the balanced outputs of the PA on transmit and produces the balanced input signals for the LNA.

- Low power mode supported

Package Options

- TSSOP24-EP

Microcontrollers

- RDA in house developed 16/32 bit processor
- Reduced Instruction Set Architecture
- Efficient 6-stage instruction pipeline

Voice Co-Processor

- RDA Internal designed Voice DSP core
- Two 16x16 -> 32 Multipliers
- Bi-MAC (two accumulations on the same register per cycle)
- Eight 16 bit general purpose registers and four 32 bit general purpose registers

Audio Interface

- Audio codec with 16 bits stereo DAC and one channel 16 bits ADC
- Support sample rate of 8, 11.025, 12, 16, 22.05, 32, 44.1 and 48 KHz.

Peripheral and Interfaces

- Debug host for debug and normal UART
- UART interface
- USB 2.0 OTG high speed interface, support USB audio
- SDMMC controller for SD card
- I2C master for internal and external modules access
- Up to 8 GPIOs

Integrated Power Management

- Multiple LDOs

2. Package and Pinout

2.1. Pin Assignment

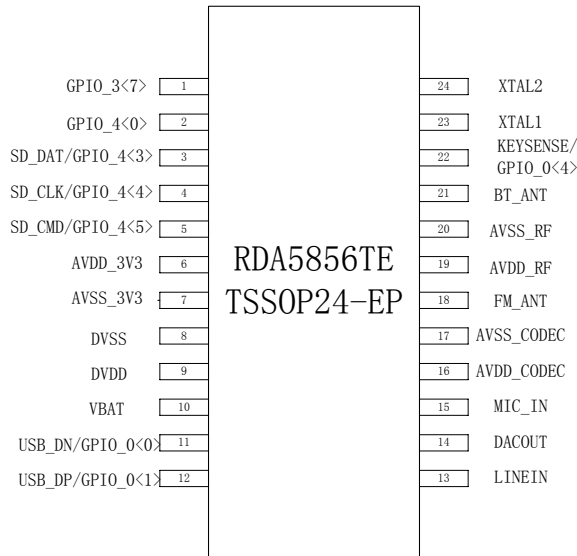


Figure 1 Pin Assignment

2.2. Pin Description

Table 1 Pin Types

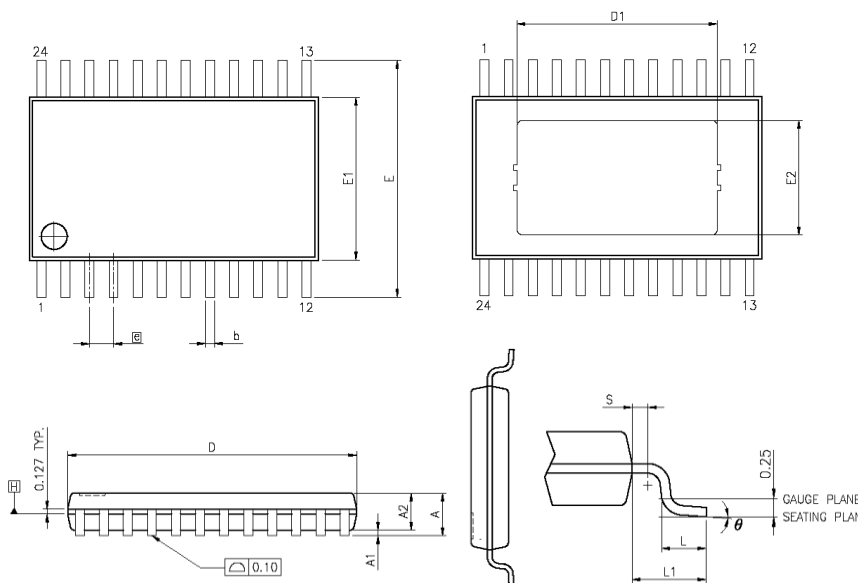
Pin Type	Description
I/O	Digital input/output
I	Digital input
O	Digital output
A, I	Analog input
A, O	Analog output
A, I/O	Analog input/output
PWR	Power
GND	Ground

Table 2 pin description

PIN NO	NAME	TYPE	DESCRIPTION
1	GPIO_3<7>	I/O	Multiple functions configured by p37_cfg. 0: General purpose input/output 1: PWM output0 2: UART TXD 4: Debug Host TXD 7: GPIO interrupt input 6
2	GPIO_4<0>	I/O	Multiple functions configured by p40_cfg. 0: General purpose input/output 1: PWM output 1 4: Debug Host RXD 7: GPIO interrupt input 5
3	SD_DAT/GPIO_4<3>	I/O	Multiple functions configured by p43_cfg. 0: Debug Host Clock 3: General purpose input/output 5: SD data 7: GPIO interrupt input 2
4	SD_CLK/GPIO_4<4>	I/O	Multiple functions configured by p44_cfg. 0: Debug Host RXD 3: General purpose input/output 5: SD clock 7: GPIO interrupt input 1
5	SD_CMD/GPIO_4<5>	I/O	Multiple functions configured by p45_cfg. 0: Debug Host TXD 3: General purpose input/output 5: SD command 7: GPIO interrupt input 0
6	AVDD_3V3	PWR	Power of analogue 3.3V

7	AVSS_3V3	GND	Ground of analogue 3.3V
8	DVSS	GND	Ground of digital core
9	DVDD	PWR	Power of digital code
10	VBAT	PWR	Battery power supply
11	USB_DN/GPIO_0<0>	A, I/O Or I/O	Multiple functions configured by p00_cfg. 0: General purpose input/output 2: UART RXD 6: USB negative input 7: USB detect negative input
12	USB_DP/GPIO_0<1>	A, I/O Or I/O	Multiple functions configured by p01_cfg. 0: General purpose input/output 2: UART TXD 6: USB positive input 7: USB detect positive input
13	LINEIN	A, I	Line input
14	DACOUT	A, O	DAC output
15	MIC_IN	A, I	Microphone input
16	AVDD_CODEC	PWR	Analogue power supply of headphone
17	AVSS_CODEC	GND	Analogue ground of headphone
18	FM_ANT	A, I	FM receiver input
19	AVDD_RF	PWR	Analogue power supply of bluetooth RF
20	AVSS_RF	GND	Analogue ground of bluetooth RF
21	BT_ANT	A/I/O	Bluetooth transmitter output/receiver input
22	KEYSENSE/GPIO_0<4>	A, I or I/O	Multiple functions configured by p04_cfg. 0: General purpose input/output 4: Debug Host RXD 5: Key input
23	XTAL1	A, I	XTAL input
24	XTAL2	A, O	XTAL output

2.3. Package Dimensions



VARIATIONS (ALL DIMENSIONS SHOWN IN MM)

SYMBOLS	MIN.	NOM.	MAX.
A	—	—	1.20
A1	0.00	—	0.15
A2	0.80	1.00	1.05
b	0.19	—	0.30
D	7.70	7.80	7.90
E1	4.30	4.40	4.50
E	6.40 BSC		
e	0.65 BSC		
L1	1.00 REF		
L	0.45	0.60	0.75
S	0.20	—	—
theta	0°	—	8°

THERMALLY ENHANCED DIMENSIONS(SHOWN IN MM)

PAD SIZE	E2		D1	
	MIN.	MAX.	MIN.	MAX.
74X18*	1.50	2.03	3.70	4.77
112X18*	2.28	3.00	3.70	4.75
126X21*	2.80	3.20	5.00	5.50

NOTES:

- JEDEC OUTLINE :
STANDARD : MO-153 AD REV.F
THERMALLY ENHANCED : MO-153 ADT REV.F
- DIMENSION 'D' DOES NOT INCLUDE MOLD FLASH, PROTRUSIONS OR GATE BURRS. MOLD FLASH, PROTRUSIONS OR GATE BURRS SHALL NOT EXCEED 0.15 PER SIDE.
- DIMENSION 'E1' DOES NOT INCLUDE INTERLEAD FLASH OR PROTRUSION. INTERLEAD FLASH OR PROTRUSION SHALL NOT EXCEED 0.25 PER SIDE.
- DIMENSION 'b' DOES NOT INCLUDE DAMBAR PROTRUSION. ALLOWABLE DAMBAR PROTRUSION SHALL BE 0.08 MM TOTAL IN EXCESS OF THE 'b' DIMENSION AT MAXIMUM MATERIAL CONDITION. DAMBAR CANNOT BE LOCATED ON THE LOWER RADIUS OF THE FOOT. MINIMUM SPACE BETWEEN PROTRUSION AND ADJACENT LEAD IS 0.07 MM.
- DIMENSIONS 'D' AND 'E1' TO BE DETERMINED AT DATUM PLANE \square .

3. Function Block Diagram

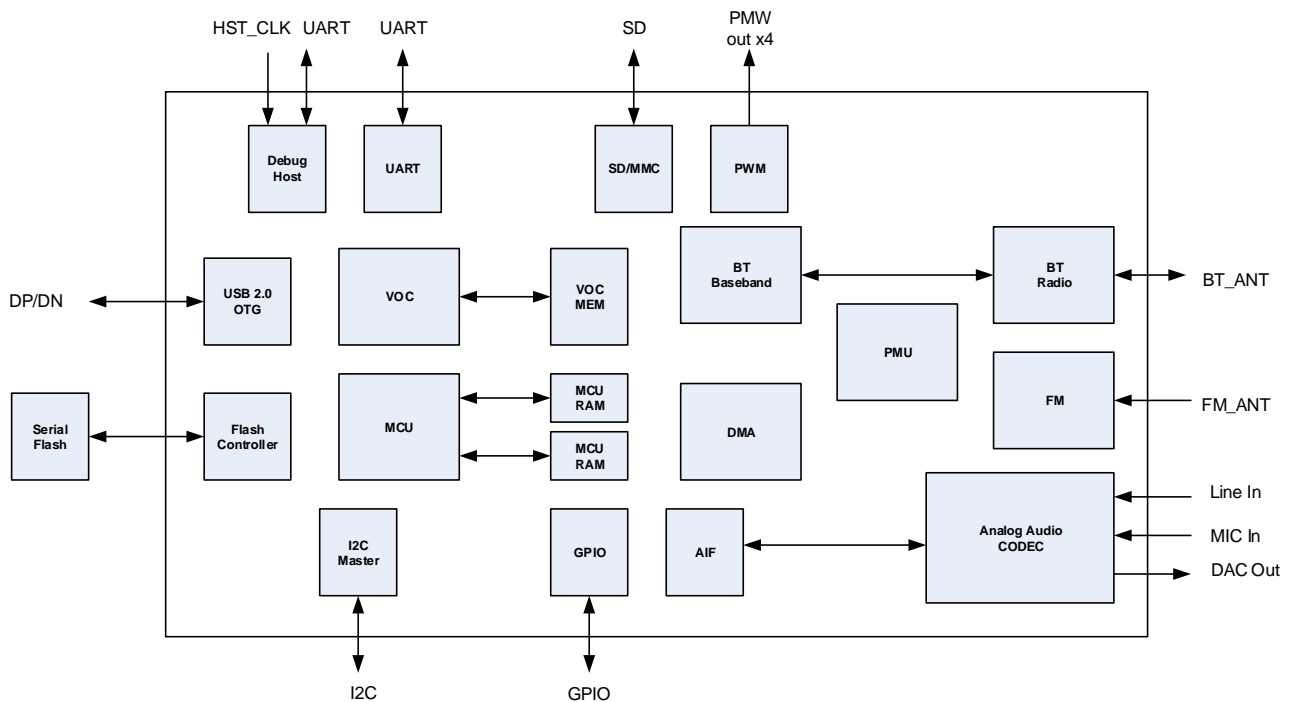


Figure 2 RDA5856TE Block Diagram

4. Clock and reset

RDA5856TE has a reference clock input from either a crystal or an external clock source. There are two internal PLL which use XTAL clock as reference. They are used for system and audio applications.

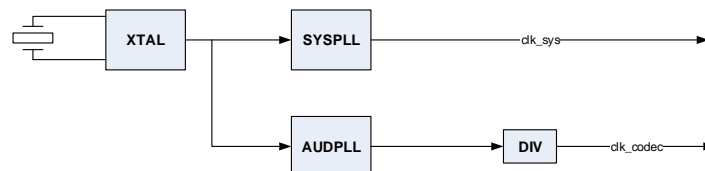


Figure 3 Clock Structure

RDA5856TE has several reset sources, as following:

- POR
Entire SoC is reset after power supply ramping from 0v to VBAT.
- External Pin Reset
Entire SoC is reset except PMU.
- Warm Reset
 - ✓ Global soft reset
DBB can be reset by set soft reset register in system control register map.
 - ✓ Watch Dog Reset
DBB will be reset when watch dog timer expired.

5. MCU

RDA RISC is a 16/32-bits processor which using a Reduced Instruction Set Architecture, an efficient 6-stage instruction pipeline, it provides high performance to the system.

- RDA RISC Core.
 - ✓ 32x32-bit Multiplier.

- ✓ 32x32-bit -> 64-bit Multiplier Accumulator (MAC) in 2 cycles (pipelined).
- ✓ Read / Write Buffer.
- ✓ 16/32 bit instruction set.
- 32 interrupt sources.
- TCM interface for ROM and flash code read

6. USB

RDA5856TE has a high-speed USB OTG interface for communicating with other devices, such as PC or USB card. Both the USB PHY and Link layer is integrated. It supports both host and device. USB role detection is included to support USB Type A.

- Operates either as the host/peripheral in point-to-point communications with another USB function or as a function controller for a USB peripheral
- Complies with the USB 2.0 standard for high-speed (480 Mbps) functions
- Supports point-to-point communications with one high-, full- or low-speed device
- Integrated USB PHY with ESD protection circuits
- Supports Control, Interrupt, Bulk and Isochronous transfer
- 5 Endpoint with FIFOs
 - ✓ One Bi-directional Control Endpoint (EP0)
 - ✓ Four soft configurable Bi-directional Endpoints
- Certified compliant with the On-The-Go supplement
- Supports Session Request Protocol (SRP) and Host Negotiation Protocol (HNP)

7. VoC

The VoC is designed to process different vocoders. It is developed as a target-specific DSP core, including basic function-call support. It executes the code with very little control intervention from the MCU. It is controlled and configured by the CPU through the AMBA bus.

- Bi-MAC, single test/logic Computational Unit with two 16x16 -> 32-bit multipliers
- Eight 16-bit general purpose registers that can be combined in four 32-bit general purpose registers.
- All 16-bit registers can be used as pointers; four of them are incremental (for easy array addressing).
- Four 32-bit general purpose registers.
- Double stack with random access: for 32-bit & 16-bit values (push, pop).
- Functions call support (jal, return).
- Two zero-cycle loop counters.
- Pointer & Direct addressing modes.
- DMA sub-module for block transfers between external memory and VoC memories.

8. Flash Controller

The Flash controller provides instruction/data management on serial Flash devices. A command poll is used to support variable commands for variable flash devices. Up to one 512/256Mb Flash or two 128Mb (16MB) Flash devices are supported using Standard, or Dual or Quad SPI. Besides the normal Flash read mode using register address through RX FIFO, the Flash controller provides an XIP mode, in which CPU can read Flash address range as RAMs.

- Flash size up to 512Mb x 1, or 256Mb x 1, or 128Mb x 2
- Standard, Dual, Quad SPI.

- Up to 52MHz SPI clock.
- Command poll to support variable Flash commands, including advanced read commands.
- Normal Read & XIP mode.

9. DMA

RDA5856TE support various DMA functions. It supports memory to memory, memory to peripheral, peripheral to memory transfers. For transfers between memory and peripheral, hardware handshake is supported and multiple DMA channels shared with peripherals.

- Support for linear memory transfers.
- Multiple DMA channels
- Support for word, half-word and byte aligned addresses.
- Burst transfer supported
- Interrupt generation at completion of the transaction.
- Can fill a part of the memory with a 32-bit pattern.
- Frame Check Sequence computation

10. AIF

The Audio Interface (AIF) module is the audio interface between the system and internal audio codec.

- All common DTMF and Comfort Tones can be generated and gained from -15 dB to 0 dB
- Side Tone fully configurable: Mute or amplification from -36 dB to +6 dB
- Loop back capabilities for test purposes.
- 16-bit mono samples from ADC.
- 16-bit stereo samples to stereo DAC.
- Separate TX and RX strobe lines for synchronization.

11. SDMMC Controller

This module connects inner bus and outer SD or MMC card. It receives the inner command and data, transfers it to outer SD or MMC card, and transfer response or data back.

- SD Card Specification Version 2.0
- SDIO Version 1.10
- MMC specification Version 3.1
- Hot insertion and removal of media cards will be considered by GPIO module

12. Timer

There are three different timers.

- 1 24-bit decremental timer for OS, ticks of 16384Hz.
- 1 32-bit incremental hardware delay timer, ticks of 16384Hz.
- 1 24-bit decremental watchdog timer, ticks of 32768Hz.
- Multiple IRQ sources: timers wrap, interval arrives.

13. GPIO

GPIO module has configurable number of General Purpose Input or Output ports (GPIO).

- Up to 8 GPIOs configurable as input or output.
- Up to 5 GPIOs can generate interrupt.
- Various interrupt triggered mode.

- ✓ Rising/Falling edge.
- ✓ High/Low level.

14. UART

RDA5856TE includes UART which can be used as a serial interface or as an IrDA interface.

- Smooth stop feature (the UART stops after the end of the current word transfer).
- Break generation and detection.
- Supports low speed IrDA 1.0 SIR mode by adding external hardware.
- DMA capabilities to allow fully automated data transfers.
- Wide selection of programmable interrupts to allow interrupt driven data transfer management.
- Loop Back capabilities for test purposes.

15. Debug Host

Debug Host module contains 1 normal Universal Asynchronous Receiver Transmitter channels (UART) and 1 Debug UART. The two UARTs share the same TX/RX engines, which sends and receives byte data from serial interface. Each UART has its own control sub-module and own APB interface. Debug Host module parses the incoming data from serial interface to switch between the normal UART and the Debug UART.

■ Normal UART

The normal UART can be used for traces and other purposes. For APB interface, it is exactly the same to the other UARTs in the system. However, if Debug UART is enabled, it should have the same serial interface configuration as the Debug UART. Some of its configuration options will be masked in this case. To adapt different clock frequency, the normal UART uses asynchronous FIFO, which uses gray code to represent the read and write pointer positions.

■ Debug UART

The Debug UART is specially designed for communicating debug information with a PC host. The serial interface of Debug UART is a simplified version of the normal UART and is less configurable. Each sample is sent serially, has 1 start bit (always zero), 8 data bits, and 1 stop bits (always one). Breaks (data line held low) can be generated and detected allowing resynchronizing the two devices.

16. I2C Master

RDA5856TE has I2C master which supports 100Kbps and 400Kbps.

- Compatible with Philips I2C standard
- Multi Master Operation
- Software programmable clock frequency
- Clock stretching and wait state generation
- Software programmable acknowledge bit
- Interrupt or bit-polling driven byte-by-byte data-transfers
- Arbitration lost interrupt, with automatic transfer cancellation
- Start/Stop/Repeated Start/Acknowledge generation
- Start/Stop/Repeated Start detection
- Bus busy detection
- Supports 7 and 10bit addressing mode
- Operates from a wide range of input clock frequencies

17. Calendar

The calendar module provides date and time information. It works on the 32.768 KHz oscillator with independent power supply. In addition to provide timing data, alarm interrupt is generated and it is also used to power-up the baseband core by sending wakeup signal.

- Independent power supply.
- Counters for second, minute, hour, day, month, year and day of week.
- Maxim day of each month stored in module, leap year supported.
- Alarm generate, wakeup triggered by alarm. Alarm IRQ.
- Periodical IRQ for certain intervals.

18. PWM

The PWM module generates 4 independent PWM outputs, utilizing 3 specialized modulation schemes. All PWM outputs can be configured to PWL, PWT and LGP mode.

- Pulse Width Tone (PWT)
 - ✓ Generates square wave output capable of driving piezo electric speaker
 - ✓ Variable frequency between 349Hz and 5276Hz with 12 half-tone frequencies per octave
 - ✓ Volume control
- Light Pulse Generation (LPG)
 - ✓ Adjustable PWM frequency is from 0.01Hz ~ 6.5MHz
 - ✓ Adjustable on-time/off-time is from 0.77us to 50s.
 - ✓ Customized output mode for square wave
- Pulse Width Light (PWL)
 - ✓ Pseudo random bit sequence with output on-time proportional to a programmed threshold value
 - ✓ Minimizes flicker

19. Audio Codec

The audio codec has one channel voice ADC and audio DAC, which supports mono voice input and stereo audio output. It also has flexible mixing and loopback paths to support variable scenario requirements, such as side tone, FM recording, etc.

- One channel 16 bits ADC and 16 bits stereo DAC
- Mono input for voice and audio band, input resistance is typically 4K Ω .
- Integrated mic bias which don't need external load capacitor with configurable output voltage
- Stereo outputs are supported, could drive 16 Ω /32 Ω headphone, or act as line-out.
- Support sample rate of 8, 11.025, 12, 16, 22.05, 32, 44.1 and 48 KHz.
- Configurable gain for audio input and output path, gains control is implemented in both digital and analog.
- Stereo FM playback.
- Flexible audio/voice path mixing/loopback.

20. Power Management

PMU integrated multiple LDOs.

20.1. Power on/off control

PMU performs a POR once battery is connected which resets all components in chip. PMU can be configured to support either hard mode power on or soft mode power on.

- Hard mode

No power key implementation is needed. System is powered on once battery is connected.

- Soft mode

An extra key press (i.e. Power on key pressed) is needed to power on the system.

20.2. Power Mode

The PMU implements multiple power mode defining the LDOs activation in various modes.

- Power Off Mode
Used when the system is off (system has been shut-off or first time battery is plugged...). In this case only V_RTC is provided.
- Power On Mode
After Power Up sequence, all LDOs that have “reset state ON” are activated.
- Active Power Mode
Used once system has booted and decides to switch from “Power On Mode”. This mode is programmable.
- Low Power Mode
Used when the system goes to low-power mode. This mode is programmable.

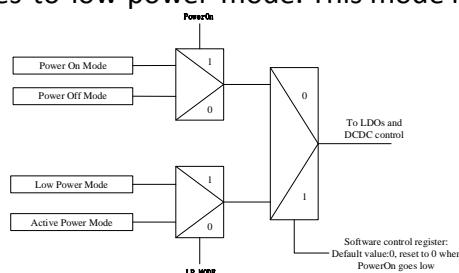


Figure 4 Principle schematic for Power-profile usage

21. Bluetooth Transceiver

RDA5856TE integrated bluetooth baseband and radio which has been designed to provide low power, low cost and robust communications for Bluetooth application. It is fully compliant with Bluetooth radio specification 4.2 including basic rate, EDR to 3MHz. RDA5856TE contains an on-chip Balun which combines the balanced outputs of the PA on transmit and produces the balanced input signals for the LNA.

- Baseband
The BT baseband core handles packet and bit stream processing including packing/unpacking for different packet types, error checking, whitening/de-whitening, error correction, and encryption/decryption and so on.
 - ✓ Compliant with Bluetooth 4.2 + EDR specification
 - Support BR, EDR 2M/3M
 - Support SCO/eSCO
 - ✓ Bluetooth Piconet and Scatternet support
 - ✓ Low power support and optimization
 - Support AFH
 - Sniff Subrating
 - Enhance Inquiry Response

- Sleep on 32.768KHz clock
- ✓ Test Mode support
 - BR/EDR Transmitter test and Loopback test
 - Fixed pattern, PRBS-9, PRBS-15 or user defined pattern
- RF Receiver

The receiver features a low-IF architecture that enables the channel select filters to be integrated onto the die. The down converted signal is digitalized by a sigma-delta AD and further processed by a digital demodulator. The receiver path provides a low noise figure, a high degree of linearity and an extended dynamic range.
- RF Transmitter

The transmitter features a direct IQ modulator to minimize frequency drift during a packet, which results in a well-controlled modulation index. The digital modulator performs the data modulation and filtering required for the Bluetooth signal. The internal PA has a programmable output power that meets Class 2 and class3 Bluetooth radio requirements without an external RF PA.
- RF Synthesizer

The radio synthesizer is fully integrated onto the die with no requirement for external LC resonators or loop filter. The synthesizer provides fast frequency locking and low phase noise to meet Bluetooth specification.

22.FM

RDA5856TE integrates a broadcast FM stereo radio tuner with fully integrated synthesizer and MPX decoder. The tuner requires the least external component. It has a powerful low-IF digital audio processor, this make it has optimum sound quality with varying reception conditions. It can be tuned to the worldwide frequency band.

- Low Power Consumption
- Support worldwide frequency band
 - ✓ 65-108MHz
- Digital low-IF tuner
 - ✓ Image-reject down-converter
 - ✓ High performance A/D converter
- Fully integrated digital frequency synthesizer
 - ✓ Fully integrated on-chip RF and IF VCO
 - ✓ Fully integrated on-chip loop filter
- Autonomous search tuning
- Auto gain control (AGC)
- Digital adaptive noise cancellation
 - ✓ Mono/stereo switch
 - ✓ Soft mute
 - ✓ Soft blending
- Programmable de-emphasis (50/75 us)
- Receive signal strength indicator (RSSI)
- Bass boost
- Volume control
- 32.768 KHz Reference Clock
- I2C control bus interface
- Directly support 32Ω resistance loading

23. Electrical Characteristics

23.1. BT RF Specifications

Receiver Characteristics --- Basic Data Rate (VBAT = 4.0 V, TA = +27°C, unless otherwise specified)

SYMBOL	PARAMETER	CONDITION	MIN	TYP.	MAX	UNIT
General Specification						
	Sensitivity @ 0.1% BER		/	-93	/	dBm
	Maximum input @ 0.1% BER		0	/	/	dBm
	C/I co-channel		/	/	9	dB
Adjacent channel selectivity C/I		F = F0 + 1 MHz	/	/	-12	dB
		F = F0 - 1 MHz	/	/	-10	dB
		F = F0 + 2 MHz	/	/	-40	dB
		F = F0 - 2 MHz	/	/	-40	dB
		F = F0 + 3 MHz	/	/	-45	dB
		F = F0 - 3 MHz	/	/	-45	dB
		F = F_image	/	/	-10	dB
Out-of-band blocking		30MHz-2000MHz	-10	/	/	dBm
		2000MHz-2400MHz	-20	/	/	dBm
		2500MHz-3000MHz	-20	/	/	dBm
		3000MHz-12.5GHz	-10	/	/	dBm
	Inter-modulation		-34	/	/	dBm

Transmitter Characteristics --- Basic Data Rate (VBAT = 4.0 V, TA = +27°C, unless otherwise specified)

SYMBOL	PARAMETER	CONDITION	MIN	TYP.	MAX	UNIT
General Specification						
	Max RF output power		/	8	/	dBm
	Power control step		/	3	/	dB
	20dB bandwidth		/	0.92	/	MHz
Adjacent channel transmitter power		M - N = 2 MHz	/	/	-52	dBm
		M - N >= 3 MHz	/	/	-55	dBm
	Δ f1avg Maximum modulation		/	152	/	kHz
	Δ f2avg/Δ f1avg		/	0.97	/	/
	ICFT		/	/	10	kHz
	Drift (1 slot packet)		/	10	/	kHz
	Drift (5 slot packet)		/	10	/	kHz

Receiver Characteristics --- Enhanced Data Rate (VBAT = 4.0 V, TA = +27°C, unless otherwise specified)

SYMBOL	PARAMETER	CONDITION	MIN	TYP.	MAX	UNIT
π/4 DQPSK						
	Sensitivity @0.01% BER		/	-92.5	/	dBm
	Maximum input @ 0.1% BER		-3	/	/	dBm
	C/I co-channel		/	/	10	dB
Adjacent channel selectivity C/I		F = F0 + 1 MHz	/	/	-10	dB
		F = F0 - 1 MHz	/	/	-8	dB

	F = F0 + 2 MHz	/	/	-39	dB
	F = F0 – 2 MHz	/	/	-39	dB
	F = F0 + 3 MHz	/	/	-45	dB
	F = F0 – 3 MHz	/	/	-45	dB
	F = F_image	/	/	-8	dB
8DPSK					
Sensitivity @0.01% BER		/	-82.5	/	dBm
Maximum input @ 0.1% BER		-5	/	/	dBm
C/I co-channel		/	/	20	dB
Adjacent channel selectivity C/I	F = F0 + 1 MHz	/	/	-2	dB
	F = F0 – 1 MHz	/	/	0	dB
	F = F0 + 2 MHz	/	/	-28	dB
	F = F0 – 2 MHz	/	/	-28	dB
	F = F0 + 3 MHz	/	/	-38	dB
	F = F0 – 3 MHz	/	/	-38	dB
	F = F_image	/	/	0	dB

Transmitter Characteristics --- Enhanced Data Rate (VBAT = 4.0 V, TA = +27°C, unless otherwise specified)

SYMBOL	PARAMETER	CONDITION	MIN	TYP.	MAX	UNIT
General Specification						
	Max RF output power		/	4	/	dBm
	Relative transmit power		/	-1.5	/	dB
	$\pi/4$ DQPSK max w0		/	-5	/	kHz
	$\pi/4$ DQPSK max wi		/	20	/	kHz
	$\pi/4$ DQPSK max wi + w0		/	17	/	kHz
	8DPSK max w0		/	-2	/	kHz
	8DPSK max wi		/	17	/	kHz
	8DPSK max wi + w0		/	17	/	kHz
$\pi/4$ DQPSK Modulation Accuracy	RMS DEVM		/	10	/	%
	DEVM < 30%		/	100	/	%
	Peak DEVM		/	/	24	%
8DPSK Modulation Accuracy	RMS DEVM		/	10	/	%
	DEVM < 30%		/	99.8	/	%
	Peak DEVM		/	/	22	%
$\pi/4$ DQPSK In-band spurious emissions	M – N =1 MHz		/	/	-38	dBc
	M – N =2 MHz		/	/	-36	dBm
	M – N >= 3 MHz		/	/	-41	dBm
8DPSK In-band spurious emissions	M – N =1 MHz		/	/	-37	dBc
	M – N =2 MHz		/	/	-36	dBm
	M – N >= 3 MHz		/	/	-40	dBm
EDR Differential Phase Coding		/	100	/	%	

23.2. FM RF Specifications

(VDD = 2,7 to 5,5V, TA = -25°C to 85 °C, unless otherwise specified)

SYMBOL	PARAMETER	CONDITIONS	MIN	TYP	MAX	UNIT
General Parameters						
F _{in}	FM Input Frequency	BAND=00	87		108	MHz
		BAND=01	76		91	MHz
		BAND=02	76		106	MHz
		BAND=03	65		76	MHz
V _{rf}	Sensitivity ^{1,2,3}	(S+N)/N=26dB		2		μV EMF
R _{in}	LNA Input Resistance ⁷			150		Ω
C _{in}	LNA Input Capacitance ⁷		2	4	6	pF
(S+N)/N	Maximum Signal Plus Noise to Noise Ratio ^{1,2}		55	60	-	dB
THD	Audio Total Harmonic Distortion ^{1,3,6}			0.15	0.2	%
RL	Audio Output Loading Resistance	Single-ended		32		Ω
Pins L_{NAN}, L_{NAP}						
V _{com_rfin}	Pins L _{NAN} and L _{NAP} Input Common Mode Voltage			0		V
V _{com}	Audio Output Common Mode Voltage		0.95	1	1.05	V

Notes:

- F_{in}=65 to 115MHz; F_{mod}=1KHz; de-emphasis=75 μs; MONO=1; L=R unless noted otherwise;
- f=22.5KHz; 3. B_{AF} = 300Hz to 15KHz, RBW <=10Hz; 4. |f₂-f₁|>1MHz, f₀=2xf₁-f₂, AGC disable, F_{in}=76 to 108MHz;
- P_{RF}=60dBuV; 6. F=75KHz, f_{pilot}=10%
7. Measured at V_{EMF} = 1 mV, f_{RF} = 65 to 108MHz
8. At L_{OUT} and R_{OUT} pins
9. Adjustable

23.3. Audio Characteristics

Parameter	Min	Typ	Max	Unit
SNR	-	92.5	-	dB
THD	-	-80	-	dB
Output Voltage	-	590	-	mV rms

23.4. Recommended Operating Conditions

Operating Condition	Min	Typ	Max	Unit
Operating Temperature Range	-20	20	65	°C
V _{BAT}	3.4	3.8	4.35	V
AVDDHP	2.22	2.48	2.76	V
AVDD33	2.88	3.25	3.3	V
DVDD	1.02	1.2	1.44	V
AVDD_RF	2.23	2.37	2.53	V

24. Software

The software development of RDA5856TE is support by RDA R-IOT SDK.

R-IoT is the IOT development platform of RDA, it composed of SDK, Eclipse IDE and some other auxiliary tools for debugging and audio calibration, etc. The SDK provides all the necessary components and standard APIs for the platform. The SDK is based on Eclipse which includes the cross-compile tools, connector to deploy and debug your software on the chip, basic library and sample code needed for embedded software development.

RDA has a variety of IoT chips for different requirements and scenarios. It has single bluetooth, WIFI chip; also it has SoC combined with bluetooth, WIFI and GSM for wireless network connection, and GPIO, I2C and etc. pins to connect sensor and peripheral device. What’s more, RDA IoT chip supports co-exist technology which allows bluetooth and WIFI work simultaneously. Via HAL (hardware abstract layer) R-IoT provides the support of all RDA IoT chips.

Meanwhile, R-IoT offers “micro-services” style architecture to facilitate software development and maintenance. IoT applications are based on these “micro-services”, for instance, if we build a bluetooth music player, we need to program with “BT micro-services”. In most cases, these “micro-services” running in its own COS task and communicating with other services by sending or receiving COS event. The COS (Common OS) is an OS wrapper over C interface, it provides developers unified API so that developers could program with such interface without having to consider the native OS details.

Below is the diagram of R-IoT software architecture:

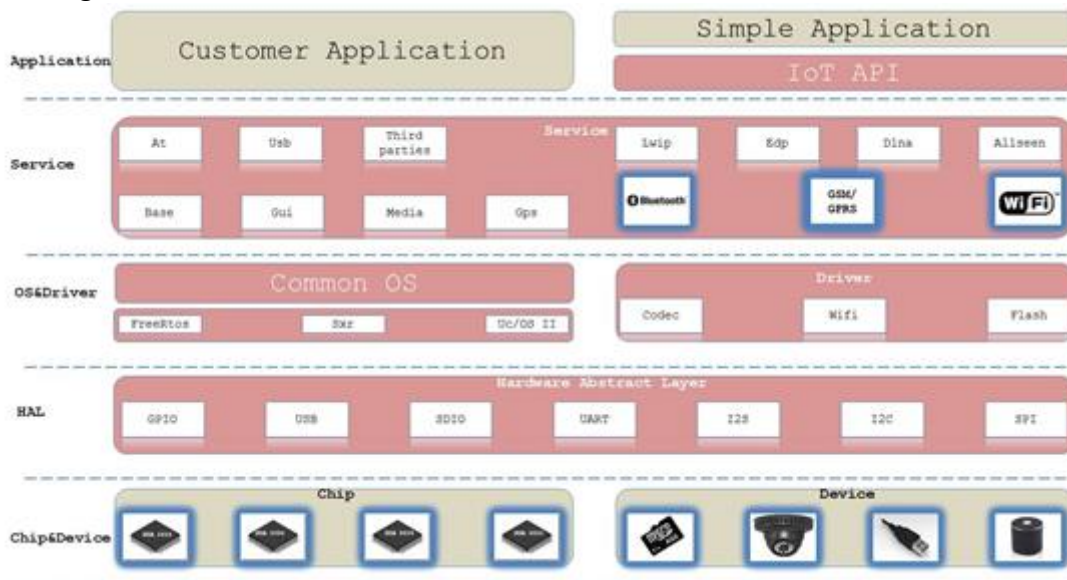


Figure 5 R-IoT Software Architecture

There are 5 layers:

- Chip and Device Layer
- HAL Layer
- OS and Driver Layer

HAL is the module to configure chip and device; it tries to be common for all chips and devices, so the configuration must be very similar.

R-IoT tries to support more Oses like RT-Thread, etc. without jeopardizing high layer service and application by introducing Common OS wrapper. Drivers are all external chip driver as opposed to chip drivers.

- Service Layer

These services are small building blocks, highly decoupled and provide user interface to application layer.

- Application Layer

In conclusion, R-IoT is almost a “turn-key” platform for IoT application development. The original SDK already had rich features for many mainstream IoT applications including home appliances and automation, asset tracking systems and consumer electronics devices, this enables the customer to rapid delivery its unique product to the market. Beyond that, its modularized and scalable software architecture makes it easier to support more Oses, chip, micro-services and cloud vendors, all these bring not only technical advantages but cost advantages as well.

For more information, please refer to RDA IOT SDK Development Manual and RDA IOT BT Development Manual.

25. Revision History

Revision	Date	Description
0.01	2016/05/13	Initial draft
0.02	2016/07/12	Add “Recommended Operation Conditions”
0.03	2016/08/04	1. Update “Package and Pinout” 2. Update “Audio Characteristics”