

## **WD-BU-MB1 Service Transmitter**

---

### **Operation Manual**

The WD-BU-MB1 Service transmitter is designed to directly page the nurses or health care persons with a single Button depressing. No need to dial any telephone to get the urgent helps. And the installation is simple without any wiring connections. Also, the operation is easy to access every quick emergency aids. Calling Nurse for helps? You can simply just by pressing the button



#### **Main Features**

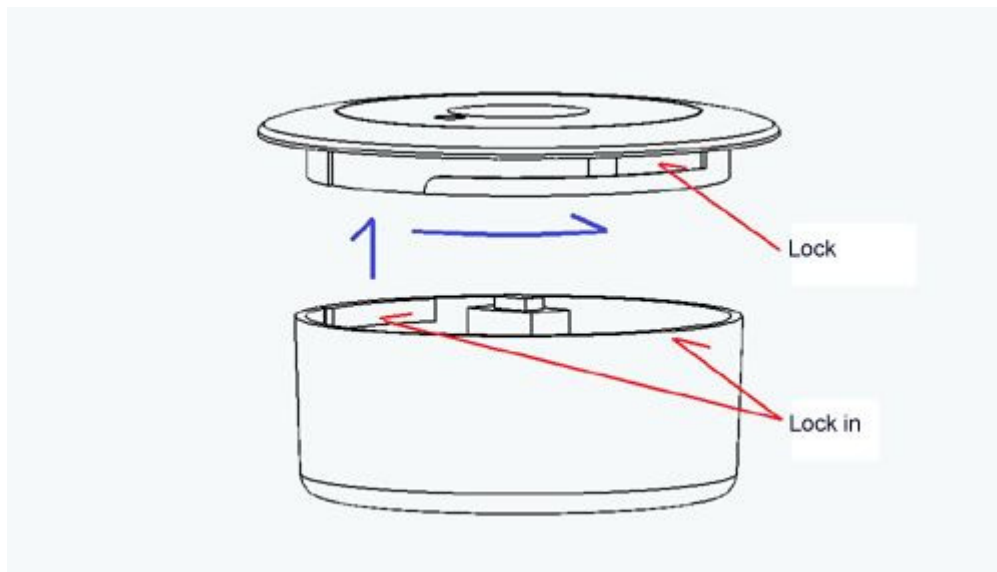
- A. Small size.**
- B. Long Battery life.**
- C. Programming by micro USB port.**
- D. UHF Band 433.920MHz**
- G. TX LED indicate and Battery low flashing**

## WD-BU-MB1 Specifications

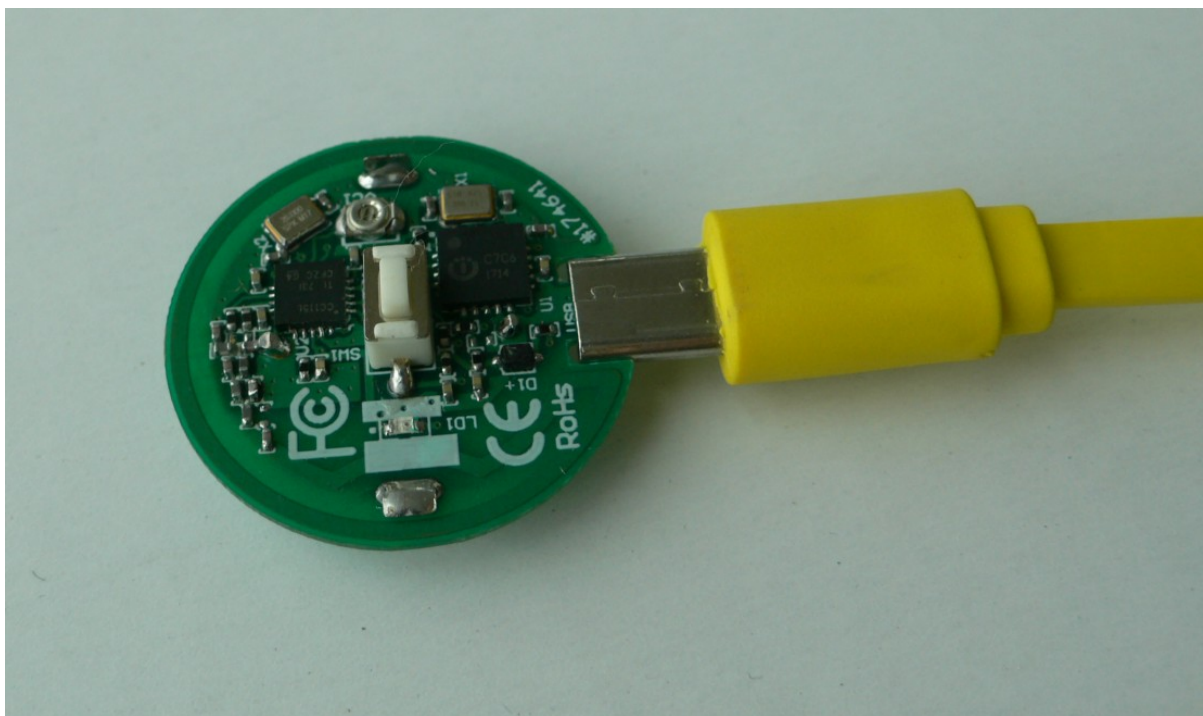
Mode No.	WD-BU-MB1
Paging format:	POCSAG
Frequency::	433.920MHz Synthesized
Baud rate:	512bps / 1200bps / 2400bps.
Message:	Numeric and Alphanumeric (Max 40 Character).
Message data:	Numeric or Alphanumeric.
RF output	10 mW.
Modulation:	FSK ,NRZ.
Deviation:	4.5Khz.
Stability:	±10 ppm.
Pager Capacity:	1 Button and 1 Battery alarm auto trig.
Battery:	CR2032 Lithium battery x 1 PCs.
Battery life	about 1 year. ( 10 Time per day).
Programming I/O:	via Micro USB with P/C.
Size:	35mm X 14mm.
Housing Color:	ABS Black.
Model Weight:	12gs (with batteries).

## A. How to program the WD-BU-MB1

1). Open the Top case battery cover



2). Insert the Micro USB programming cable into the J1 (Micro USB)



3). Connect the USB cable to the P/C or N/B computer USB Port

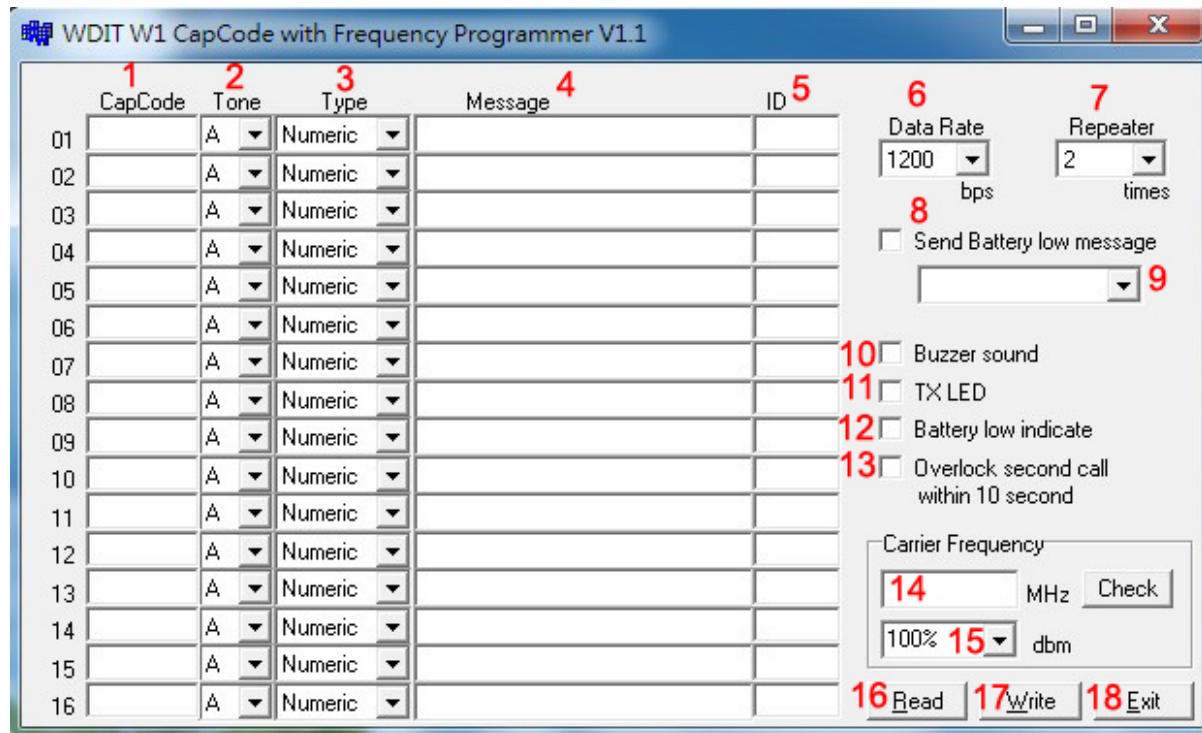
## Tips to set up the programming parameters

1. Install the WDIT W1 programming AP execution file



2. Click W1 and then run the programming software.
3. Connect the USB plug into the your device and the PC USB port .

## Example Programming Screen as Below:



1. Capcode : 01-16 POCSAG address range 0000008-2097151 for POCSAG encoder option.
2. Tone A,B,C,D : For pager alert tone for POCSAG encoder option.
3. Type : For pager numeric or alphanumeric type selection.
4. Message : Pre-programming the encoder messages for pager contents
5. ID : For the ID call system such as each specific nurse ID set-up.
6. Data Rate : POCSAG data speed and baud rate in 512bps or 1200bps or 2400bps types.
7. Repeater : Each paging to be calling repeated times.
8. Send Battery Low Message : ✓ Sending the battery low alarm message by wireless
9. Activate the battery low alarm by any capcode 01-16 selection.
10. Buzzer sound : ✓ for the transmission beep sound.
11. TXLED Transmitter LED : ✓ for the transmission LED indication.
12. Battery Low Indicate : ✓ for the battery LED indication.
13. Overlock second call within 10 second : ✓ Prohibited Duplicate calling within 10 seconds.
14. Carrier Frequency: For the Radio Frequency set-up (simply key-in your own frequency).

15. dBm : RF carrier output power set-up.
16. Read : Reading the programmed contents from your devices.
17. Write : Write the programming contents into your devices.
18. Exit : Exiting the programming screen.

#### **Factory Default Set-up**

**The Key button (Red key) push 1 time for Capcope 1 sending with TX LED flashing 1 time.**

#### **Customers Option Set-up by Order Request**

**The Key button (Red key) in a continuous 2 times depressing each for Capcope 2 sending with TX LED flashing 2 times.**

**The Key button (Red key) in a continuous 3 times depressing each for Capcope 3 sending with TX LED flashing 3 times.**

**The Key button (Red key) in a continuous 4 times depressing each for Capcope 4 sending with TX LED flashing 4 times**

Dec.12.2017



Wireless Devices Inc. Taiwan [www.wirelessdevices.com.tw](http://www.wirelessdevices.com.tw)

## Warning statements

### 15.19:

THIS DEVICE COMPLIES WITH PART 15 OF THE FCC RULES. OPERATION IS SUBJECT TO THE FOLLOWING TWO CONDITIONS: (1) THIS DEVICE MAY NOT CAUSE HARMFUL INTERFERENCE, AND (2) THIS DEVICE MUST ACCEPT ANY INTERFERENCE RECEIVED, INCLUDING INTERFERENCE THAT MAY CAUSE UNDESIRE OPERATION.

### 15.21:

The user manual for an intentional or unintentional radiator shall caution the user that changes or modifications not expressly approved by the party responsible for compliance could void the user's authority to operate the equipment.

NOTE: THE GRANTEE IS NOT RESPONSIBLE FOR ANY CHANGES OR MODIFICATIONS NOT EXPRESSLY APPROVED BY THE PARTY RESPONSIBLE FOR COMPLIANCE. SUCH MODIFICATIONS COULD VOID THE USER'S AUTHORITY TO OPERATE THE EQUIPMENT.

### 15.105(b):

NOTE: This equipment has been tested and found to comply with the limits for a Class B digital device, pursuant to part 15 of the FCC Rules. These limits are designed to provide reasonable protection against harmful interference in a residential installation. This equipment generates uses and can radiate radio frequency energy and, if not installed and used in accordance with the instructions, may cause harmful interference to radio communications. However, there is no guarantee that interference will not occur in a particular installation. If this equipment does cause harmful interference to radio or television reception, which can be determined by turning the equipment off and on, the user is encouraged to try to correct the interference by one or more of the following measures:

- Reorient or relocate the receiving antenna.
- Increase the separation between the equipment and receiver.
- Connect the equipment into an outlet on a circuit different from that to which the receiver is connected.
- Consult the dealer or an experienced radio/TV technician for help.

## The user notifications

### English:

This device complies with Industry Canada's license-exempt RSSs. Operation is subject to the following two conditions:

- (1) This device may not cause interference; and
- (2) This device must accept any interference, including interference that may cause undesired operation of the device.

### French:

Le présent appareil est conforme aux CNR d'Industrie Canada applicables aux appareils radio exempts de licence. L'exploitation est autorisée aux deux conditions suivantes : (1) l'appareil ne doit pas produire de brouillage, et (2) l'utilisateur de l'appareil doit accepter tout brouillage radioélectrique subi, même si le brouillage est susceptible d'en compromettre le fonctionnement.