

# MAGNAVOX

## STEREO PORTABLE SPEAKER

*OWNER'S MANUAL*

PLEASE READ BEFORE OPERATING THIS EQUIPMENT.

**MODEL: MMA3778**

**FCC NOTICE:**

This equipment has been tested and found to comply with the limits for a Class B digital device, pursuant to Part 15 of the FCC Rules. These limits are designed to provide reasonable protection against harmful interference in a residential installation. This equipment generates, uses and can radiate radio frequency energy and, if not installed and used in accordance with the instructions, may cause harmful interference to radio communications. However, there is no guarantee that interference will not occur in a particular installation. If this equipment does cause harmful interference to radio or television reception, which can be determined by turning the equipment off and on, the user is encouraged to try to correct the interference by one or more of the following measures:

- Reorient or relocate the receiving antenna.
- Increase the separation between the equipment and receiver.
- Connect the equipment into an outlet on a circuit different from that to which the receiver is connected.
- Consult the dealer or an experienced radio/TV technician for help.

**FCC STATEMENT:**

This device complies with part 15 of the FCC Rules. Operation is subject to the following two conditions:

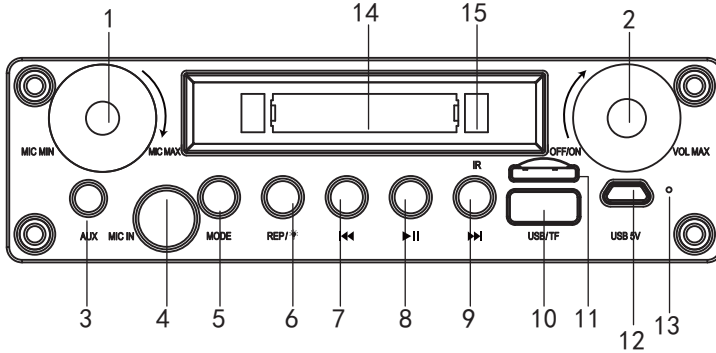
- (1) This device may not cause harmful interference, and
- (2) This device must accept any interference received, including interference that may cause undesired operation. The antenna(s) used for this transmitter must be installed to provide a separation distance of at least 20 cm from all persons and must not be co-located or operating in conjunction with any other antenna or transmitter.

**FCC WARNING:**

To assure continued operation, follow the attached installation instructions and use only shield cables when connecting to other devices. Changes or modifications not expressly approved by the party responsible for compliance could void the user's authority to operate the equipment.

# LOCATION OF CONTROL

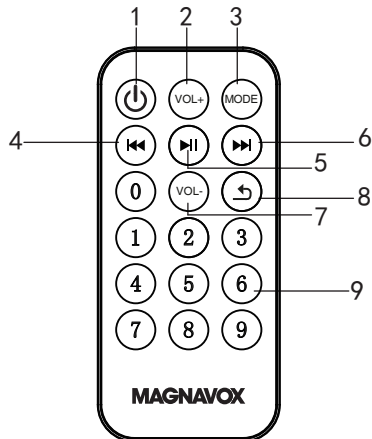
## Main Unit:



1. MIC (Microphone) Volume Control Knob
2. Power On-Off/Volume Control Knob
3. AUX (In) Jack
4. MIC IN ( Microphone In) Jack
5. MODE Button
6. REP/ (Repeat/Light On-Off) Button
7. ⏮ Button
8. ▶⏪ Button
9. ⏩ Button
10. USB Port
11. TF (Micro SD Card) Slot
12. USB 5V (Micro USB) Port (For charging only)
13. Indicators
14. LED Display
15. Remote Sensor


## Remote Control:

1. ⏻ (Standby) Button
2. VOL+ (Volume Up) Button
3. MODE Button
4. ⏮ Button
5. ▶⏪ Button
6. ⏩ Button
7. VOL- (Volume Down) Button
8. ↺ (Repeat) Button
9. Numeric Buttons

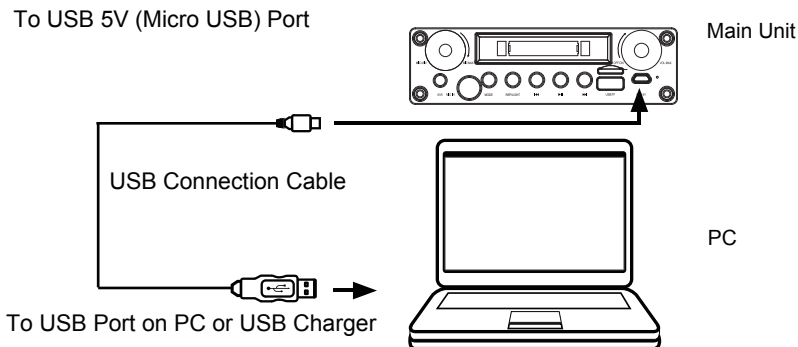


## POWER SOURCE:

### Main Unit:

The unit has a built-in Li-ion rechargeable battery, charge it before first time use or when it is drained (or the red indicator “” appears on the display and blink) as follows:

1. Connect the small plug from the supplied USB Connection Cable to the USB 5V (Micro USB) Port on the front of unit.
2. Connect the full size USB Plug from the supplied USB Connection Cable to the USB Port on the Personal Computer or USB Charger (Computer and USB Charger not included).
3. When charging, the Red Indicator on the front of unit will illuminate. When charging is complete, it will turn off.

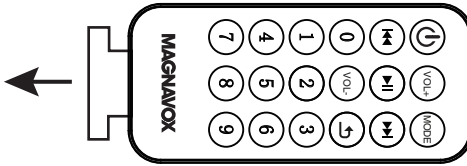


### NOTES:

1. When charging, you can also play and listening music at the same time.
2. Your battery will last longer if you following these simple guidelines for caring and storing:
  - A. Before first time use, recharge the unit approximately 12 hours until the unit is fully charged.
  - B. Charge and store the unit within the temperature range of 5°C - 35°C (40°F - 95°F).
  - C. Do not overcharge (longer than 24 hours). Excessive charging or running the unit until completely flat will damage battery. Battery life will be extended if you keep the battery fully charged.
  - D. Battery life naturally shortens slowly over time.
  - E. The rechargeable battery incorporated in this product is not user replaceable.

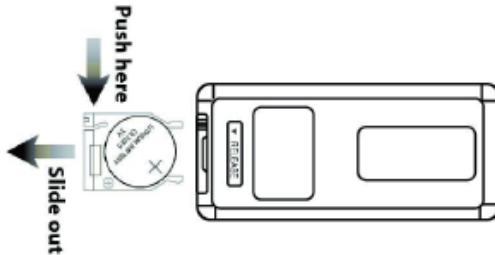
## **Remote Control:**

1. For first time use, remove and discard the insulation film as illustrated below:



2. Replacing the button cell when it is drained as follows:

- Push and slide out the button cell as shown below.



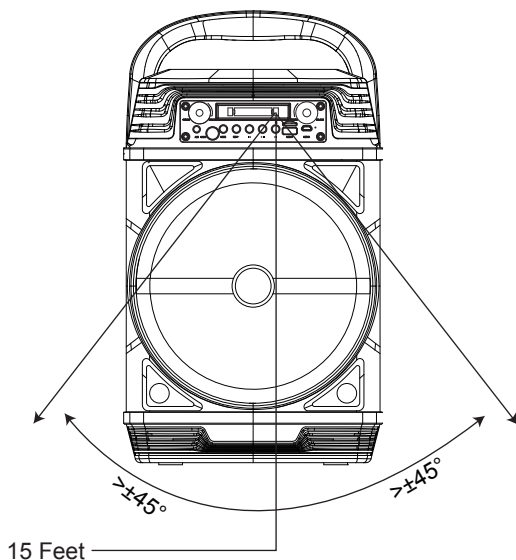
- Replace the button cell with new CR2025 button cell with the polarity markings on the rear of the Remote Control.
- Close the button cell holder.

## **BATTERY PRECAUTIONS:**

Follow these Battery Precaution when using a battery in this device:

1. Use only the size and type of battery specified.
2. Be sure to follow the correct polarity when installing the battery as indicated in the battery compartment. A reversed battery may cause damage to the device.
3. Do not mix different types of batteries together (e.g. Alkaline and Carbon-zinc) or old batteries with fresh ones.
4. If the batteries in the device are consumed or the device is not to be used for a long period of time, remove the batteries to prevent damage or injury from possible battery leakage.
5. Do not try to recharge the battery not intended to be recharged; it can overheat and rupture. (Follow battery manufacturer's instructions.)
6. Do not dispose of battery in fire. Battery may explodes or leak.
7. Clean the battery contacts and also those of the device prior to battery installation.
8. ⚠ This product contains a coin/button cell battery. If the coin/button cell battery is swallowed, it can cause severe internal burn in just 2 hours and can lead to death. Keep new and used batteries away from children. If the battery compartment does not close securely, stop using the product and keep it away from children. If you think batteries might have been swallowed or placed inside any part of the body, seek immediate medical attention.

# EFFECTIVE DISTANCE OF REMOTE CONTROL



1. When there is an obstacle between the unit and the transmitter, the transmitter may not operate.
2. When direct sunlight, an incandescent lamp, fluorescent lamp or any other strong shines on the remote control of the unit, the remote operation may be unstable.

## OPERATION:

### General Operation:

1. Recharge the built-in Li-ion battery as previously instructed.
2. Turn the Power On-Off/Volume Control Knob on the front of unit clockwise to power on the unit. The LED Display will illuminate.
3. Press the MODE Button on the unit or Remote Control repeatedly to switch to desired playback mode. The unit will illuminate the indicators and a sound will prompt you with a selection (see list below):

<b>Playback Modes:</b>	<b>Voice Prompt:</b>	<b>Indicators:</b>
BT (Bluetooth)	Bluetooth ready for connection	"bLUE" will appear on the display (and blink)
USB	USB	Indicator "U/TF" on display will illuminate
TF (Micro SD) Card	Memory Card	Indicator "U/TF" on display will illuminate
FM Radio	Radio	Radio frequency "875 - 1080" (87.5-108.0 MHz) will appear on the display
AUX (In)	AUX In	"AUX" will appear on the display

**Note:**

**If the Audio Connection Cable; Micro SD Card and/or USB Device had NOT inserted into the unit, the correspondence selection will not be available.**

4. During playback:

- Turn the Power On-Off/Volume Control Knob on the unit (Or, press the VOL (Volume) +/- buttons on the Remote Control) to adjust the volume level as desired.
- Press the ►|| Button on the unit or Remote Control to pause; press again to resume to normal playback.  
(In AUX mode, press it to mute the sound, press again to turn the sound back on .)  
In BT, USB, TF (Micro USB) Card playback modes, press the ◀◀ or ▶▶ buttons on the unit or Remote Control repeatedly to skip tracks.
- Press REP/🔊 Button twice to turn off the Decorative Lights, press twice again to turn it on.
- In USB, TF (Micro USB) Card playback modes, press the REP/🔊 Button on the unit or 🔁 Button on the Remote Control to set or reset the repeat mode as the list below.  
To cancel the repeat playback mode, turn the Power On-Off/Volume Control Knob on the unit counterclockwise until “Click” sound is heard to shut off the unit.

Repeat Modes:	Showing on LED Display:	Function:
Repeat one	🔁 + ONE	Correct track will be playback repeatedly
Repeat folder	FoLd	All the tracks in the same folder will be playback repeatedly
Random playback	rAn	All tracks will be playback randomly
Repeat All	ALL	All the tracks will be playback repeatedly

5. When finished listening, press the ⏻ Button on the Remote Control to turn the unit to Standby mode. Press again to turn on the unit on from Standby mode.
6. Or, turn the Power On-Off/Volume Control Knob on the unit counterclockwise until “Click” sound is heard to shut off the unit.

**NOTE: Remote Control will not functioning in power off mode. Turn the Power On-Off/Volume Control Knob on the front of unit clockwise to power on the unit before use Remote Control.**

## **BT Mode:**

### **BT (Bluetooth) pairing:**

For first time use or re-pairing the unit to a new BT Device, pair as follows:

1. Power on the unit and enter to BT mode as previously instructed. You will hear an audible prompt say "Bluetooth ready for connection" and indicator "bLUE" will appear on the display and blink.
2. Power on the external BT Device and enter to BT searching mode. Start pairing following the on screen instructions from the external BT Device. When paired, the unit will sound a prompt "Bluetooth connected" and indicator "bLUE" on display will stop blinking.
3. If pairing is complete you may now play music with your external BT Device.

### **Notes:**

- When the external BT Device searched the unit, our model number "MMA3778" will appear on the display of external BT Device.
- If while pairing you are asked for a code please try "0000" or "1234".

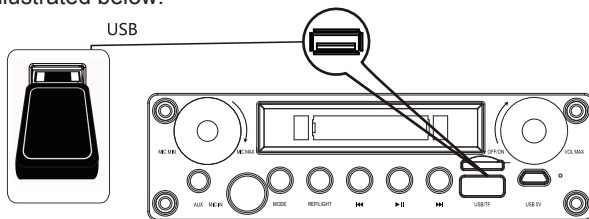
### **Normal operation after pairing:**

1. Power on the external BT Device and enter to BT playback mode.
2. Power on the unit and enter to BT mode as previously instructed. You will hear an audible prompt say "Bluetooth ready for connection" and indicator "bLUE" will appear on the display and blink.
3. Wait a few seconds until the unit is automatically paired to the external BT Device. When paired, the unit will sound a prompt "Bluetooth connected" and indicator "bLUE" on display will stop blinking.
4. After pairing is complete you may now play music with your external BT Device.

## **USB:**

To play the music in external USB Device:

1. In power off mode, connect the USB Device into the USB Port on the front of unit as illustrated below:



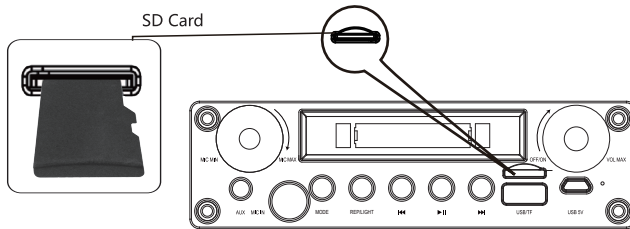
2. Power on the unit and enter to USB mode as previously instructed:
  - You will hear an audible prompt say "USB".
  - Indicator "U/TF" on display will illuminate.
  - Music on USB Device will be automatically played back.
3. During playback:
  - Turn the Power On-Off/Volume Control Knob on the unit (Or, press the VOL (Volume) +/- buttons on the Remote Control) to adjust the volume level as desired.
  - Press the ►|| Button on the unit or Remote Control to pause; press again to resume to normal playback.
  - Press the ◀◀ or ▶▶ buttons on the unit or Remote Control repeatedly to skip tracks. Or, press the numeric buttons on the Remote Control to enter the track number of the desired track to play it directly.



## TF (Micro SD Card):

To play the music in TF (Micro SD) Card:

1. In power off mode, insert the TF (Micro SD) Card (not included) into the TF (Micro SD) Card Slot on the front of unit with contacts facing down as illustrated below:



2. Power on the unit and enter to TF (Micro SD) Card playback mode as previously instructed:

- You will hear an audible prompt say “Memory Card”.
- Indicator “U/TF” on display will illuminate.
- Music on TF (Micro USB) Card will be automatically played back.

3. During playback:

- Turn the Power On-Off/Volume Control Knob on the unit (Or, press the VOL (Volume) +/- buttons on the Remote Control) to adjust the volume level as desired.
- Press the ►|| Button on the unit or Remote Control to pause; press again to resume to normal playback.
- Press the ◀◀ or ▶▶ buttons on the unit or Remote Control repeatedly to skip tracks. Or, press the numeric buttons on the Remote control to enter the track number of the desired track to play it directly.

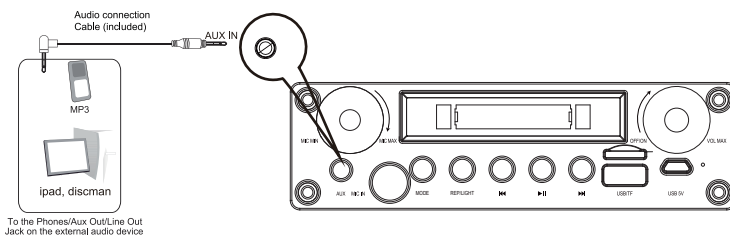
## Notes:

- Up to 32 GB TF (Micro SD) Card /USB Device the unit supports to play.
- When inserting the TF (Micro SD) Card /USB Device, make sure the direction you selected is correct. Never insert violently to avoid damaging the TF (Micro SD) Card /USB Device or the unit. If it doesn't work, please check if the direction is correct.
- Before replacing TF (Micro SD)/USB Device, make sure the unit has been powered off.
- You also need to download the desired music in MP3 format into the TF (Micro SD) Card /USB Device before insert into the unit.

## AUX IN:

To listen from an external Audio Player such as MP3 Player, Discman ... etc.

1. In power off mode, connect one end of supplied Audio Connection Cable to the AUX Out/Line Out/Phone Jack on the external Audio Player.
2. Connect the other end to the AUX IN Jack on the front of unit as illustrated below:



3. Power on the unit and enter to AUX IN mode as previously instructed:
  - You will hear an audible prompt say “Aux in”.
  - “AUX” will appear on the display.
4. Play the music on the connected Player as usual. (Make sure the volume level of the connected Audio Player is turned to high level.)
5. During playback:
  - Turn the Power On-Off/Volume Control Knob on the unit (Or, press the VOL (Volume) +/- buttons on the Remote Control) to adjust the volume level as desired.

### **FM RADIO:**

To listen FM Radio:

1. Power on the unit and enter to AUX IN mode as previously instructed:
  - You will hear an audible prompt say “Radio”.
  - FM radio frequency “875-1080” (87.5-108.0 MHz) will appear on the display.
2. To store the available FM stations into the unit (up to 30 stations) at first time use (or relocate the unit to a new location):
  - Press and hold the ►|| Button on the unit or Remote Control approximately 2 seconds until FM frequency on the display will start running.
  - Wait a few minutes, the unit will automatically store all the available FM stations into the memory then playback the first station.
  - Press the ◀◀ or ▶▶ buttons on the unit or Remote Control repeatedly to select and play the stored FM station as desired.

If you know the frequency of desired FM station, you can use the numeric buttons on the Remote Control to enter the frequency then play it direct. For example, if you want received FM station 106.5 MHz. You can press the numeric buttons on the Remote Control “1” + “0” + “6” + “0”.

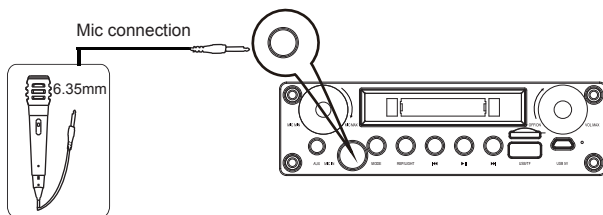
### **Antennas:**

This unit has a built-in FM antenna which provides adequate reception. If reception is weak, reassemble the other direction/location of the unit to improve the reception.

### **MICROPHONE:**

To sing along with the music playing:

1. Connect the plug from Microphone (not included) to the MIC IN Jack on the front of unit as illustrated below:



2. Power on the unit and play the music as usual.
3. Speak or sing into the microphone.
4. Turn the Power On-Off/Volume Control Knob to adjust the sound level of microphone and music.

### **Note:**

If feedback noise (high audio frequency noise) is hearing from the speaker, turn the Power On-Off/Volume Control Knob counterclockwise to reduce the microphone/music level or moving the Microphone away From the speaker.

## OPERATION:

Check the following before requesting service:

SYMPTOM	POSSIBLE CAUSE	POSSIBLE SOLUTION
Can't power on	Built-in battery drained	Recharge the battery as page 4
	The unit in power off mode	Turn the Power On-Off/Volume Control Knob to power on the unit
No sound or sound weak	Volume of the unit was set to minimum position	Increase the volume level by turn the Power On-Off/Volume Control Knob clockwise
	Volume level of paired/connected device is in low level	Rise the volume level of the paired/connected device
Sound distortion  AUX (In)	Volume level too high	Reduce the volume level by turn the Power On-Off/Volume Control Knob counterclockwise
	Volume level of the paired/connected device too high	Reduce the volume level of the paired/connected device
BT not functioning  AUX (In)	The external BT device had NOT paired to the unit	Pair the external BT device to the unit as page 8
	The external BT device too far from the unit	Place the external BT device close to the unit

## GENERAL SPECIFICATIONS:

**Power Source:** Built-in DC  $\approx$  3.7V, 2400mAh (8.88WH) rechargeable Li-ion Battery; recharge by DC  $\approx$  5V through the USB 5V (Micro USB) Port

**Impedance of Speakers:** 15W;  $3\Omega$   
**Audio Power:** 5W (RMS)  
**BT Version:** 4.2  
**BT Operation Distance:** Up to 32 Feet in open area

## PACKAGE INCLUDES:

1 x Owner's Manual  
1 x Remote Control (Uses 1 x CR2025 button cell, included)  
1 x Connection Cable (For Charging Only)  
1 x Audio Connection Cable with 3.5 mm Stereo Plugs

**SPECIFICATIONS AND ACCESSORIES ARE SUBJECT TO CHANGE WITHOUT NOTICE**

## LIMITED WARRANTY

Craig Electronics warrants this product to be free from manufacturing defects in material and workmanship under normal use for a period of 180 days from date of purchase. If service is required, please return the product to the store where it was purchased for exchange; or, pack the unit in the original packing material with all accessories if applicable, a copy of your sales receipt and a Cashier's check or Money Order for \$10 (to cover shipping and handling costs) payable to Craig Electronics Inc. For consumers in Canada, please make sure that the cashier check or money order is redeemable through a U.S. bank. Ship your product freight pre-paid. Your unit will be repaired, replaced or if the unit cannot be repaired or replaced, a refund will be forwarded to you within four weeks of receipt of your unit. Please ship your unit to:

Craig Electronics Inc.  
1160 NW 163 Drive  
Miami, FL 33169

This warranty is void if the product has been: a) Used in a commercial application or rental. b) Damaged through misuse, negligence, or abuse. c) Modified or repaired by anyone other than an authorized Craig service center. d) Damaged because it is improperly connected to any other equipment.

Note: This warranty does not cover: a) Ordinary adjustments as outlined in the Owner's Manual which can be performed by the customer. b) Damage to equipment not properly connected to the product. c) Any cost incurred in shipping the product for repair. d) Damage to the product not used in the USA.

This warranty is not transferable and only applies to the original purchase. Any implied warranties, including the warranty of merchantability, are limited in duration to the period of this expressed warranty and no warranty whether expressed or implied shall apply to the product thereafter.

Under no circumstance shall Craig be liable for any loss or consequential damage arising out of the use of this product. This warranty gives specific legal rights. However, you may have other rights which may vary from state to state. Some states do not allow limitations on implied warranties or exclusion of consequential damage. Therefore, these restrictions may not apply to you.

This product has been manufactured by and is sold under the responsibility of Craig Electronics Inc, and Craig Electronics Inc is the warrantor in relation to this product. MAGNAVOX and SMART. VERY SMART are registered trademarks of Koninklijke Philips N.V. and are used under license from Koninklijke Philips N.V.

To Obtain Service on your Product  
email: [magnavox@craigelectronics.com](mailto:magnavox@craigelectronics.com)