

BODYFRIEND  
MASSAGE CHAIR

**HUGCHAIR**

HUGCHAIR 2.0  
USER GUIDE MANUAL

**MARVEL**

© MARVEL

 **BODYFRIEND**

---

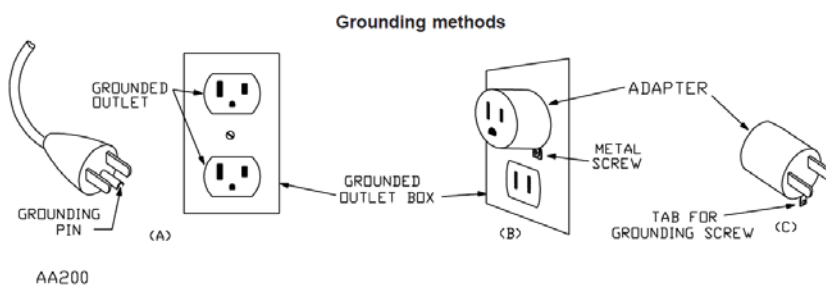
## GROUNDING INSTRUCTIONS

This product must be grounded. If it should malfunction or breakdown, grounding provides a path of least resistance for electric current to reduce the risk of electric shock. This product is equipped with a cord having an equipment-grounding conductor and a grounding plug. The plug must be plugged into an appropriate outlet that is properly installed and grounded in accordance with all local codes and ordinances.

### **⚠ DANGER**

Improper connection of the equipment-grounding conductor can result in a risk of electric shock. Check with a qualified electrician or serviceman if you are in doubt as to whether the product is properly grounded. Do not modify the plug provided with the product – if it will not fit the outlet, have a proper outlet installed by a qualified electrician.

This product is for use on a nominal 120-V circuit and has a grounding plug that looks like the plug illustrated in sketch A in following figure. Make sure that the product is connected to an outlet having the same configuration as the plug. No adapter should be used with this product.



### **Earthing**

This massage chair belongs to Level One electrical appliance, make sure to use three-core power supply socket and to guarantee the ground wire connected to the power supply socket has obtained good ground connection to avoid electric leakage, electric shock and some other negative effect during use.

※ This product is designed for personal in-home use. Commercial use will void warranty.

---

## IMPORTANT SAFETY INSTRUCTIONS

Read all instructions before using (this appliance).

### **⚠ DANGER** – To reduce the risk of electric shock :

- 1) Always unplug this appliance from the electrical outlet immediately after using and before cleaning.

### **⚠ WARNING** – To reduce the risk of burns, fire, electric shock, or injury to persons :

- 1) An appliance should never be left unattended when plugged in. Unplug from outlet when not in use, and before putting on or taking off parts.
- 2) Do not operate under blanket or pillow. Excessive heating can occur and cause fire, electric shock, or injury to persons.
- 3) Close supervision is necessary when this appliance is used by, on, or near children, invalids, or disabled persons. Keep children away from extended foot support.
- 4) Use this appliance only for its intended use as described in this manual. Do not use attachments not recommended by the manufacturer.
- 5) Never operate this appliance if it has a damaged cord or plug, if it is not working properly, if it has been dropped or damaged, or dropped into water. Return the appliance to a service center for examination and repair.
- 6) Do not carry this appliance by supply cord or use cord as a handle.
- 7) Keep the cord away from heated surfaces.
- 8) Never operate the appliance with the air openings blocked. Keep the air openings free of lint, hair, and the like.
- 9) Never drop or insert any object into any opening.
- 10) Do not use outdoors.
- 11) Do not operate where aerosol (spray) products are being used or where oxygen is being administered.
- 12) To disconnect, turn all controls to the off position, then remove plug from outlet.
- 13) Connect this appliance to a properly grounded outlet only. See Grounding Instructions.
- 14) Do not use massager in close proximity to loose clothing or jewelry.
- 15) Keep long hair away from massager while in use.

\* SAVE THESE INSTRUCTIONS

## Introduction

Thank you for purchasing BODYFRIEND Massage Chair. Before using our product, please read through the safety precautions and operation instructions carefully. We kindly ask users to understand that there may be slight differences in image and content descriptions presented throughout this manual due to product quality improvements. Thank you.

## Product Features



Space Efficient



Energy Efficient



Easy Controls



Adjustable Massage System



Auto Timer (15min)



Neck/Shoulders Ball Massage



Back/Waist Ball Massage



Hips Air Massage



USB Charging Port



Reclining

### Space Efficient

Compact size chair blends into any home décor.

### Energy Efficient

HUG CHAIR conserves energy compared to other massage chairs.

### Hips Air Massage

Circular rotating ball and airbag massage units provide powerful hips air massage.

### Adjustable Massage System

Users can adjust the location of massage balls from the neck down to the lower back for a comprehensive, full body massage.

**CAUTION! Do not install massage chair under direct sunlight or where high temperature fluctuations can occur.**

※ Product image or content descriptions may slightly differ due to product quality improvements.

---

# Table of Contents

<b>Before Use Instructions</b>	Product Features	02
	Safety Precautions	04
	Important Safety Instructions	06
	Components and Descriptions	07
<hr/>		
<b>Installation Information</b>	Installation	08
<hr/>		
<b>Controller Information</b>	Controller Button Descriptions	10
	Controller Function Descriptions	11
<hr/>		
<b>Product Specifications</b>	Product Specifications	12
<hr/>		
<b>Troubleshooting</b>	Troubleshooting	13

---

## Before Use: Safety Precautions

Before using, please carefully read the “Safety Precautions” section for proper installation and operation.

---

### WARNING -



**Please do not try to install or repair the massage chairs without the assistance of BODYFRIEND technicians.**



BODYFRIEND is not responsible for replacement cost if the product is damaged or breaks due to self- troubleshooting.



**CAUTION – Please do not install in a non-residential settings.**



This product is for non-commercial, residential use only. Warranty is subject to cancellation if the product is used for commercial purposes.

---

### Prohibited

#### To reduce injury and risk of fire:

- 01 Do not install in bathrooms or areas with high humidity levels. Could result in electric shock.
- 02 Avoid using in areas with excessive amounts of dust or areas prone to rust.
- 03 Do not operate this device in settings with temperatures exceeding 104°F.
- 04 Do not use outdoors.
- 05 Do not use near heaters or anything radiating heat.
- 06 Install and use only when properly grounded on flat surfaces.
- 07 Use in areas with ample space and good air circulation.
- 08 Do not use after disassembling parts. Can result in product malfunctions.
- 09 Do not use concurrently with other electronic or medical devices.
- 10 Do not use aerosol (spray) products.
- 11 Do not place heavy objects on top of this product.
- 12 Please take precautionary measures to ensure toddlers, pets, and small beings do not crawl under the body of the chair, legrest, and etc. to prevent any injuries or damage.
- 13 Do not allow more than one person to operate the machine at a time.
- 14 If the power cord or power plug becomes damaged in any way, disconnect from the main supply immediately and consult an authorized service engineer for repair or replacement.
- 15 Do not damage, excessively bend, pull, twist, or knot any device cords.
- 16 Do not stand on the legrest before, after, or while the device is sliding forward or back to its original resting position.

---

# Important Safety Instructions

**Users with the following are not advised to use this device or should consult a medical professional before using this device.**

---

## **Do not use if**

- 01** Suffering from thrombosis, embolism, a serious or an acute form of varicose veins, or a healthcare professional does not advise the use of this device.
- 02** Within the first trimester or the beginning of the third pregnancy trimester.
- 03** Suffering from acute organ diseases or chronic heart illnesses.
- 04** Probable to experience seizure, stroke, or have any sensory illnesses or disorders.
- 05** Diagnosed with peripheral neuropathy due to diabetes.
- 06** Suffering from osteomyelitis or have concerns regarding osteomyelitis.

## **Please consult a medical professional before using if**

- 01** User is pregnant or has probability of experiencing negative side effects after using device.
- 02** User shows signs of inflammation and experiences higher than normal body temperatures.
- 03** User suffers from skin disease, malignant tumors, or any skin related illnesses.
- 04** User is experiencing muscle loss due to various reasons.
- 05** User is currently being treated by a doctor or needs stable environment conditions.
- 06** Suffering from cervical sprains, herniated cervical discs, or any form of acute whiplash.
- 07** Suffering from severe osteoporosis.
- 08** Using a pacemaker or any implantable medical device.
- 09** Experiencing difficulty expressing or moving parts of the body.
- 10** User is experiencing any other health concerns.

※ Health concerns may occur if the precautions listed above are not followed.

## **Heating Function Usage Reminders**

---

- 01** Skin irritation might occur if device is used repeatedly without rest.
- 02** Do not let areas of the device that heat up come in direct contact with the skin.
- 03** Do not fall asleep with the heating function on.
- 04** Please supervise young children, seniors, and medical patients when they are using this device.

## **Side Effects**

---

### **Be aware of the following side effects which may occur during use.**

- 01** Minor bruising, abrasions, scrapes, and etc.
- 02** Soreness, tired muscles, and discomfort may occur due to overuse.
- 03** Skin diseases or burns.
- 04** Fractures, dislocated joints, and etc.

---

# Important Safety Instructions

## Before Use

---

- 01** Consult a doctor before using if suffering from a medical condition listed under the “not advised to use” section or if medical condition worsens after using device.
- 02** Refer to operation guide and review situations of negative side effects of using device.
- 03** Start massage at a low intensity and build up for safe operation practices.
- 04** Locate the “Pause” and “End” button in case of emergencies.
- 05** Check the time setting for each massage cycle.
- 06** Check for any damaged areas or tears in the cover where loose clothing, hair, or accessories may get caught and cause serious injury.
- 07** Do not connect or disconnect the power cord with wet hands.
- 08** Do not use the device if the body is still wet.
- 09** Check the power status of the device before using.

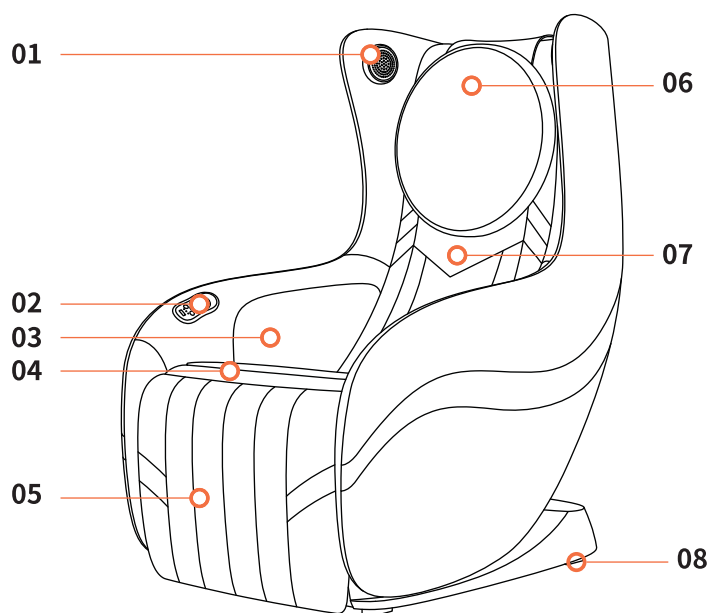
## During Use

---

- 01** Stop using immediately if you experience any pain or discomfort and consult a doctor.
- 02** Do not let the heating unit or motor come in direct contact with bare skin.
- 03** Be aware of the time remaining for the massage cycle.
- 04** Do not use concurrently with another electronic device or heating pad.
- 05** Always leave the controller in an easily accessible place.
- 06** Do not let more than 2 people operate device concurrently.
- 07** Be aware of accessories worn on areas of the body getting massaged (hair accessories, necklaces, watches, and etc.).
- 08** Operate device for intended use and on intended areas of the body.
- 09** Do not pull aggressively on the controller cord.
- 10** Make sure parts of the body do not get caught in crevices of the device.
- 11** Be aware of individual’s body temperature when using device, especially if individual falls asleep.
- 12** Wait for the device to stop moving before getting up from the device.
- 13** If user steps on the leg unit to get up from the device, the leg unit will beep.
- 14** Adjust speaker volumes before using the brain massage function.
- 15** Beware that anti-squeezing sensor may alert and leg unit may stop when recognizing an object being in the way.
- 16** Growth massage programs are optimized for adolescents between height 130 cm-160 cm and may be of slight discomfort to adults.
- 17** Turn off shoulder airbags by clicking shoulder airbags off button when used by heavily built individuals.
- 18** Use under the supervision of a caretaker when using a child with excessive behavior.
- 19** Do not use for anything other than massage purpose, such as hanging or jumping.

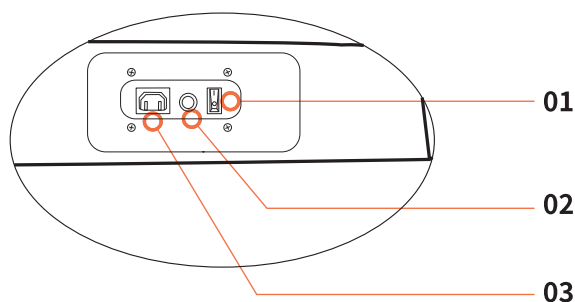


## Components and Descriptions



### Exterior

- 01 Speaker  
(for connecting to Bluetooth)  
※ Bluetooth Password: 9999
- 02 Controller
- 03 Air Cushion
- 04 Seat Cushion
- 05 Legs Sheet
- 06 Head Cushion
- 07 Back Sheet
- 08 Chair Base



### Interior

- 01 Power ON/OFF
- 02 Fuse
- 03 Power Plug

- ※ Connect the power plug
- ※ Turn ON/OFF the power with the switch on the back side.

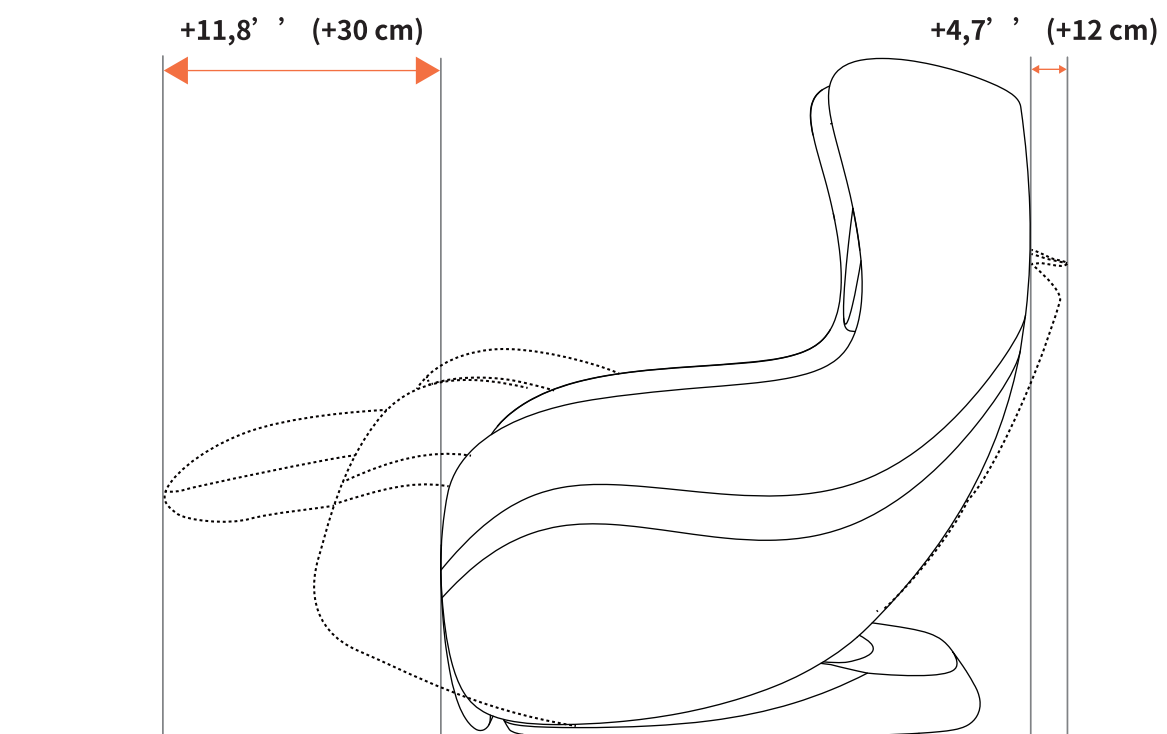
#### CAUTION

- ※ Make sure the power cord is not stuck beneath the massage chair.
- ※ Before connecting a power cord, set the power switch OFF.

# Installation Part 01

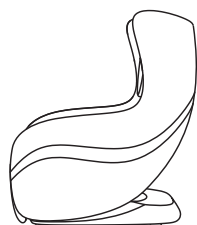
## STEP 1. Main Body Installation

- 01 Reserve ample space for massage chair installation  
(+4,7' ' from the back of the chair and +11,8' ' from the legs part of the body)
- 02 Define the location/direction of the seat.
- 03 Install in the place where the device can operate with ease.

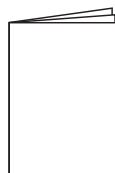


## STEP 2. Check the Components and Parts

Check that you have received all necessary components and parts after removing the device from packaging.



Massage Chair



User Manual



Power Cable

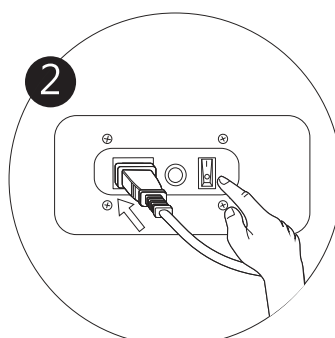
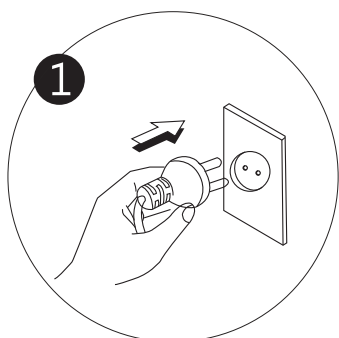
---

## Installation Part 02

### STEP 3. Connecting to Power

---

- 01 Make sure the switch is OFF before connecting the power plug.
- 02 Plug the power cable into the power socket.
- 03 Shift the switch mode to ON.



### STEP 4. Transporting

---

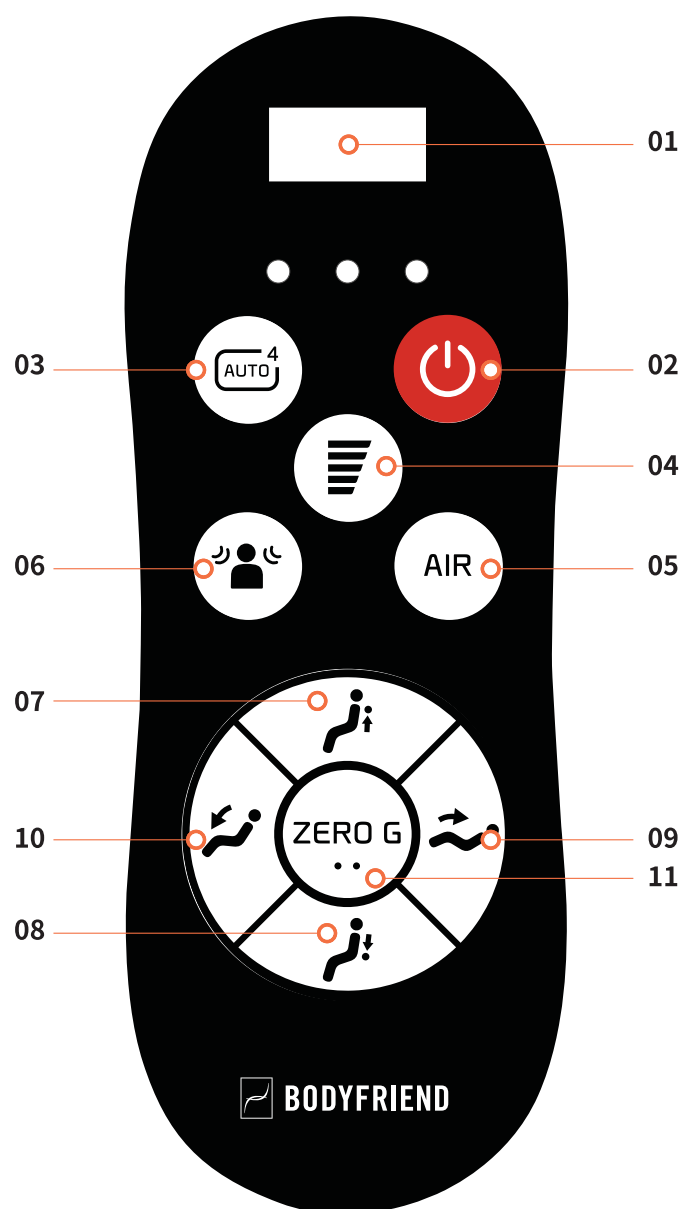
- 01 Find the chair wheels adhered to the body.
- 02 When the back wheels reach the floor surface, tilt the massage chair backwards at an angle of 45°.
- 03 Start moving the massage chair forward hanging on to the front part of a chair.

#### CAUTION

- 1) The massage chair cannot be transported if the width of the passage is less than 31,5' ' (80 cm).
- 2) Do not transport the chair with a person sitting on it.
- 3) Spread a mat over the floor not to damage the floor surface.



# Controller Button Descriptions



## Controller Buttons

- 01 USB Charging Socket
- 02 Power ON/OFF
- 03 Auto Massage
- 04 Intensity/Speed
- 05 Air Massage
- 06 Manual Massage
- 07 Upper Ball Massage
- 08 Lower Ball Massage
- 09 Body Reclining Indicator
- 10 Body Inclining Indicator
- 11 Zero Gravity

---

## Controller Function Descriptions

---



### Power

Power ON/OFF.  
Switching off the power while in operation will lead to the full stop of functions and make the massage module return to its original resting position.

---



### Auto Massage

Auto massage button with 4 massaging modes:  
Neck/Shoulder-Focused, Waist/Back-Focused,  
Relaxing and Soothing.

---



### Manual Massage

An intensive massage for specific parts of the body  
(5 modes in total: Kneading > Tapping > Combination >  
Chopping > Acupressure modes)

---



### Intensity/ Speed

Enables to adjust intensity/speed during manual massage.  
(3 levels in total)

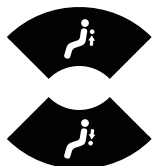
---



### Air Massage

Initializes the hips/waist air massage unit.

---



### Upper/Lower Ball Massage

Enables to adjust the location of the balls when having  
a manual massage. Possible to shift up and down.  
Pressing once will make the massage balls move,  
pressing twice will make them stop at one point.

---



### Zero Gravity

Reclining button with 2 angle modes:  
118° and 136°.

---



### Horizontal/ Vertical Reclining/ Inclining

Reclining button that enables to manually adjust the angle  
of the body. Possible to shift up and down.  
Pressing once will start the movement, pressing twice will  
set the device at one certain angle.

---

---

## Product Specifications

This product may be changed without prior notice to users for product quality improvement.

---

<b>Model</b>	HUGCHAIR-2000US
<b>Kneading Speed (Neck/Shoulder)</b>	27-35 kneads per minute
<b>Kneading Speed (Back/Waist)</b>	27-35 kneads per minute
<b>Massage Module Width</b>	1.25in
<b>Heating Temperature</b>	Max 140°F
<b>Power Supply</b>	110-120V
<b>Rated Current</b>	0.68A
<b>Power Frequency</b>	60Hz
<b>Auto Timer</b>	15 min.
<b>Airbags</b>	Hips
<b>Massage Balls</b>	Neck/Shoulders/Back/Waist/Buttocks
<b>Product Weight</b>	99lbs
<b>Outer Covering</b>	Synthetic Leather
<b>Dimensions</b>	40.5in x 25.2in x 35.4in
<b>Product Type</b>	Massage Chair

---

# Troubleshooting

If you encounter minor malfunctions or errors, please refer below before contacting Customer Support.

Problem	Possible Causes	Solution
<b>Massage chair does not operate.</b>	Device is not turned on.	Press [Power] to turn on the controller.
	Massage balls are not activated.	Check the power and press the massage roller button (neck/shoulder/back/waist).
	Power cord is not properly plugged in.	Properly plug power cord into socket.
	Broken power supply parts.	Turn off the device and unplug. Then, please contact Customer Support.
<b>Blinking LED Light.</b>	Device is paused.	Not a malfunction.
<b>Massage rollers do not go back to original resting state when turned off.</b>	Power supply is not well connected.	Check the power cord and cable to secure connection.
	Still in operation.	Turn off.
<b>LED indicators blinking after device is turned off.</b>	Still in operation.	Turn off.
	Electric circuit malfunction.	Turn the power off and unplug. Then, contact your local dealer for repair and maintenance.
<b>Beeping during activation.</b>	Device initializing noises occur.	Not a problem. Machines generate noise.
<b>Noises get louder during use.</b>	Extended hours of operation.	Please turn off the machine for 30 min and start again.
	Worn out after years of use.	Please contact Customer Support.
<b>Machine suddenly stops during massage.</b>	Power supply has been disconnected.	Check the power cord and cable to secure connection.
	Massage time finished.	Restart the massage after 15 min.
<b>Power source overheating.</b>	Extended hours of operation.	Turn off and start operating after 30 min.
	Other	Please contact Customer Support.
<b>Airbags do not activate.</b>	Broken airhose.	Turn off and unplug the power cord. Then, contact Customer Support.

---

## Warranty

1. This product is legally licensed by Disney Korea.
  2. This product has passed rigorous quality control tests and high fabric standards.
  3. This product is for residential use ONLY, within the confines of the home.
  4. Even within the warranty period, if any of the following occur, BODYFRIEND is not liable or is legally obliged to uphold the issued warranty:
    - Malfunction caused by incorrect use of product
    - Malfunction caused by natural disaster such as fire, flood, and etc.
    - Malfunction caused by repairs or handling conducted by non-Bodyfriend technicians or employees
    - Malfunction due to mishandling, applying excessive pressure, and etc.
    - Any form of malfunction caused by user negligence
  5. In the event that the product malfunctions, please contact Customer Support.
  6. Warranty cannot be re-issued and is non-transferable. Warranty cannot be claimed if receipt and warranty information is not provided.
  7. Warranty is valid for only one year starting on the day of purchase.
- Warranty is void if product is used in a non-household setting.
  - BODYFRIEND will only uphold warranty if it is a product defect and not one caused by user's misuse or negligence.
  - Warranty is valid only within the continental US, excluding Hawaii, Alaska, Puerto Rico, and any US territories.





---

## FCC STATEMENT

1. This device complies with Part 15 of the FCC Rules.

Operation is subject to the following two conditions: (1) This device may not cause harmful interference, and (2) This device must accept any interference received, including interference that may cause undesired operation.

2. Changes or modifications not expressly approved by the party responsible for compliance could void the user's authority to operate the equipment.

This equipment has been tested and found to comply with the limits for a Class B digital device, pursuant to part 15 of the FCC Rules. These limits are designed to provide reasonable protection against harmful interference in a residential installation. This equipment generates, uses and can radiate radio frequency energy and, if not installed and used in accordance with the instructions, may cause harmful interference to radio communications. However, there is no guarantee that interference will not occur in a particular installation. If this equipment does cause harmful interference to radio or television reception, which can be determined by turning the equipment off and on, the user is encouraged to try to correct the interference by one or more of the following measures:

- Reorient or relocate the receiving antenna.
- Increase the separation between the equipment and receiver.
- Connect the equipment into an outlet on a circuit different from that to which the receiver is connected.
- Consult the dealer or an experienced radio/ TV technician for help.

### FCC Radiation Exposure Statement:

The device has been evaluated to meet general RF exposure requirement.  
The device can be used in portable exposure condition without RF striction.

## INDUSTRY CANADA NOTICE

This equipment complies with IC radiation exposure limits set forth for an uncontrolled environment. The device can be used in portable exposure conditions without Rf restrictions.

This device contains licence-exempt transmitter(s)/receiver(s) that comply with Innovation, Science and Economic Development Canada's licence-exempt RSS(s).

Operation is subject to the following two conditions: (1) this device may not cause interference, and (2) this device must accept any interference, including interference that may cause undesired operation of the device. 2. Changes or modifications not expressly approved by the party responsible for compliance could void the user's authority to operate the equipment.

### Avis d'Industrie Canada

Cet appareil contient des émetteurs / récepteurs exemptés de licence conformes aux RSS (RSS) d'Innovation, Sciences et Développement économique Canada. Le fonctionnement est soumis aux deux conditions suivantes :

(1) l'appareil ne doit pas produire de brouillage, et

(2) l'utilisateur de l'appareil doit accepter tout brouillage radioélectrique subi, même si le brouillage est susceptible d'en compromettre le fonctionnement. Cet appareil numérique ne dépasse pas les Rèlements sur l'interférence radio par un appareil numérique de classe B stipulées dans les Règlement sur l'interférence radio d'Industrie Canada.

2. Les changements ou modifications de cette unité non expressément approuvés par la partie responsable de la conformité pourraient annuler l'autorité de l'utilisateur à utiliser l'équipement.

### IC RF Déclaration sur la radioexposition:

Cet appareil est conforme avec l'exposition aux radiations IC Définies pour un environnement non contrôlé. L'appareil peut être utilisé dans des conditions d'exposition portatifs sans restrictions Rf.

# HUGCHAIR

---

**Product Name**    Massage Chair  
**Model**            HUGCHAIR-2000US  
**Manufacturer**    Xiamen Healthcare Electronic Co., Ltd.  
**Importer**         BODYFRIEND INC.  
**Customer Service**    service@bodyfriend.com or 888-299-8218  
**Ratings**          110-120V, 60Hz, 0.68A  
**Manual No.**        190411