

6

5

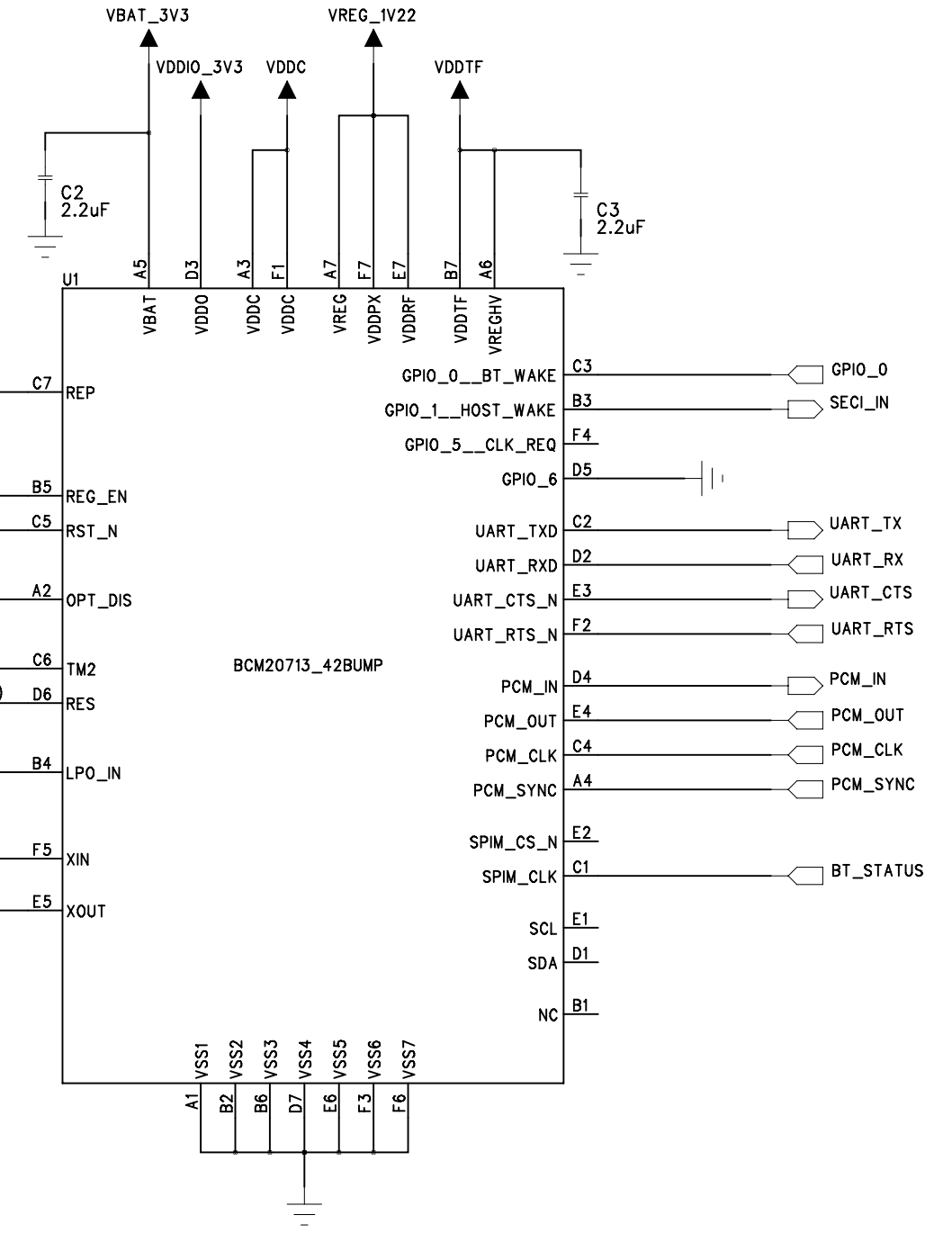
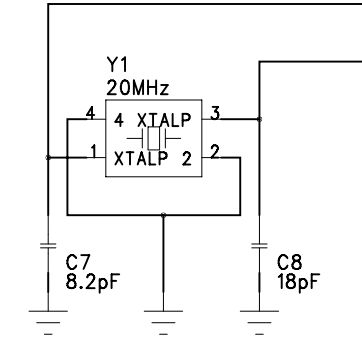
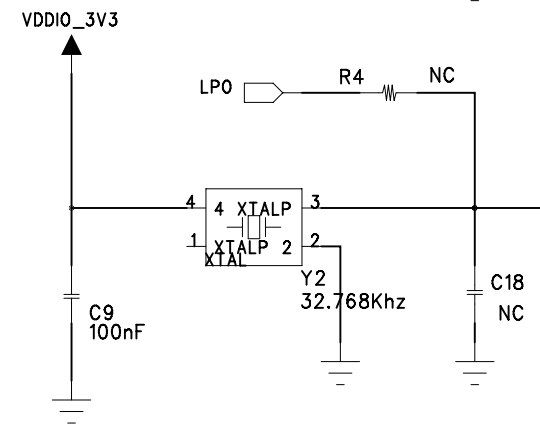
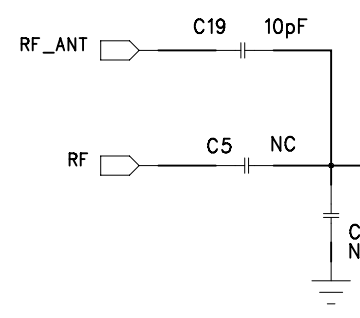
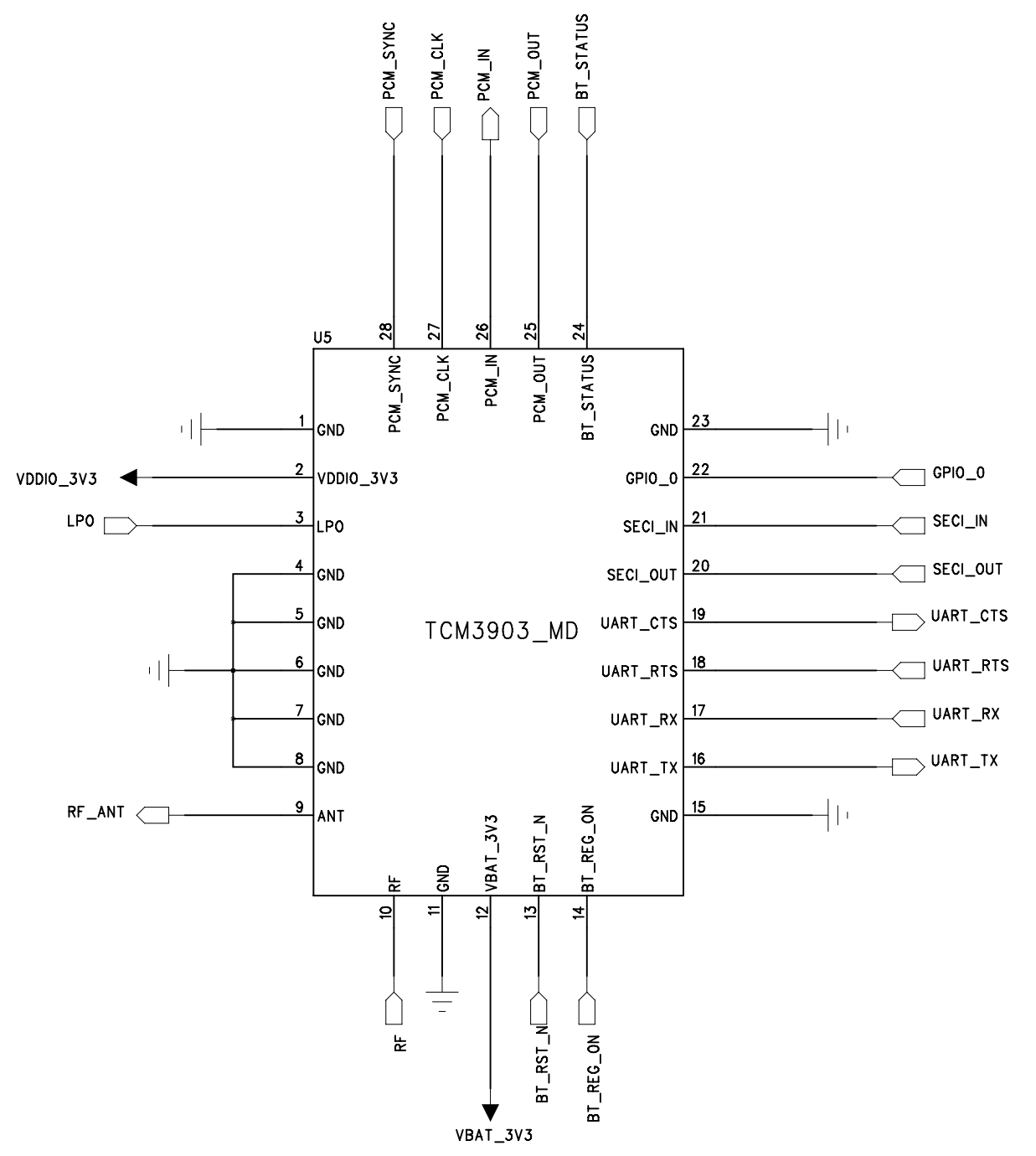
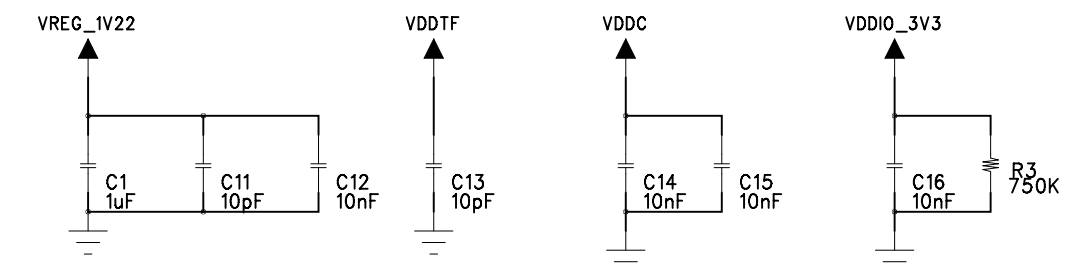
4

3

2

1

REVISION RECORD			
LTR	ECO NO:	APPROVED:	DATE:



COMPANY: Dreamtech			
TITLE: TCM3903			
DRAWN: S.C. PARK	DATED: 2018-07-20	CODE:	SIZE: A2
CHECKED: <Checked By>	DATED: <Checked Date>	DRAWING NO: BCM20713	REV: 0.3
QUALITY CONTROL: <QC By>	DATED: <QC Date>	SCALE: <Scale>	SHEET: 1 of 1
RELEASED: <Released By>	DATED: <Release Date>		