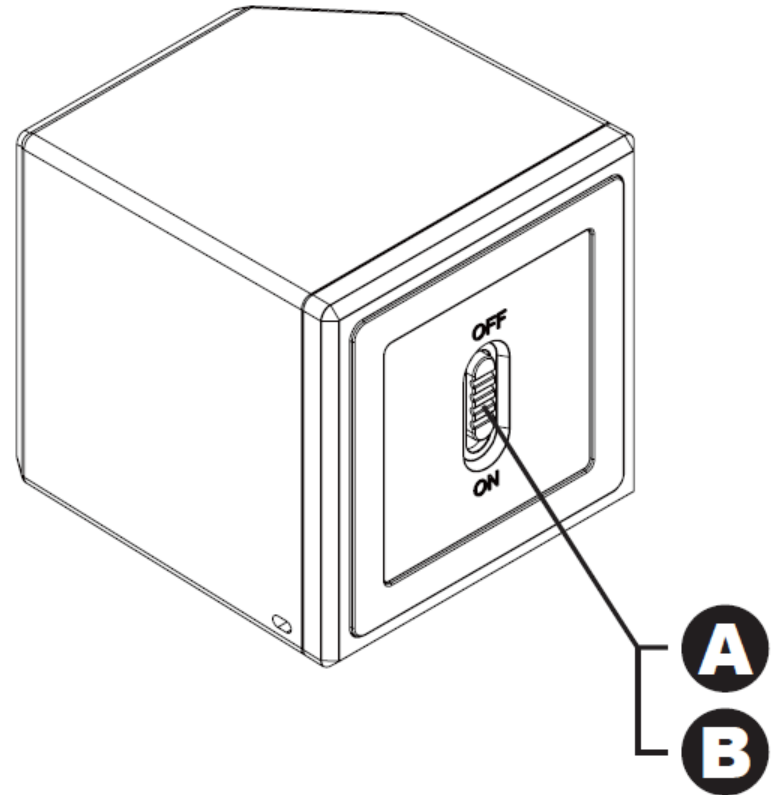
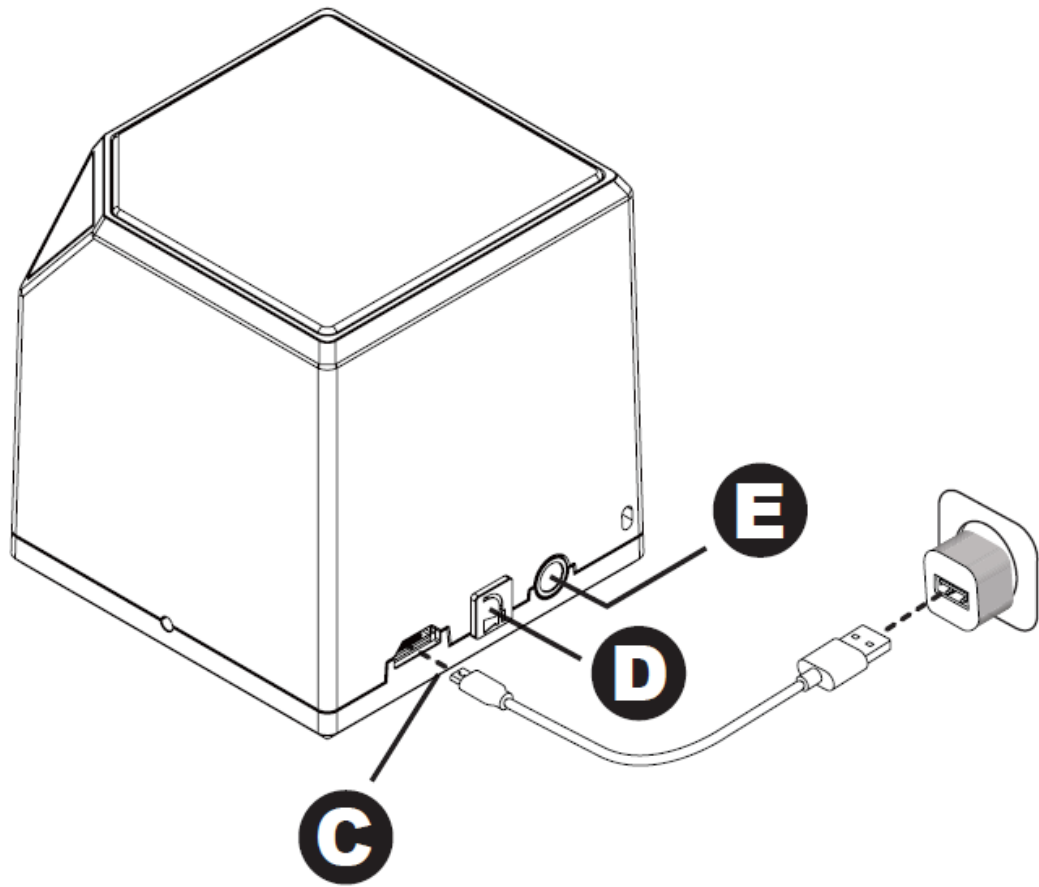


Speaker

EN User Manual





EN User Manual

- A** Power On/Off.
- B** To Pair: Enable Bluetooth on your device, select device 'Cube'.
- C** Charge via input (Micro-B USB 5V/0.3A).
- D** Play/Pause and Call accept/reject.
- E** Aux audio cable input.

Safety and Compliance Information:

- Do not attempt to disassemble the product or insert items into the product as this may cause short circuits resulting in electrical shock or fire.
- The product contains no user replaceable parts. Only authorised service engineers may open the product.
- This product is not waterproof or water resistant. Exposing the product to rain, moisture or other liquids may damage the product and may result in injury to the user. Do not touch or use with wet hands.
- Do not use in areas where there is the risk of explosion.
- The product package contains small items and packaging that may be hazardous to children and may pose a choking or strangulation hazard. Keep the product, accessories and packaging out of reach of children at all times. This product is not a toy.
- If the product is damaged in any way, pierced, dropped, exposed to liquid, if the product overheats or if the charging cable is damaged discontinue use immediately.
- Do not connect to any input power supply other than stated at the top of this page.
- Always keep the product between 0° C and 45° C. Operation outside this range may damage the product or cause harm to the user.
- CAUTION: The battery used in this product may present a risk of fire, explosion, electrical shock or chemical burn if mistreated.
- The battery in this product is not user replaceable and should only be handled by authorised service engineers.
- Only use the charging cables provided with the Speaker and the charging device, do not charge with other cables.
- Only use a USB charger capable of outputting the stated voltage at the top of this page (not supplied) when connecting to a wall, vehicle or other socket.
- Do not dispose of the product in household waste as this may result in fire, explosion, electrical shock or chemical burn.

Changes or modifications not expressly approved by the party responsible for compliance could void the user's authority to operate the equipment.

This equipment has been tested and found to comply with the limits for a Class B digital device, pursuant to Part 15 of the FCC Rules. These limits are designed to provide reasonable protection against harmful interference in a residential installation. This equipment generates, uses and can radiate radio frequency energy and, if not installed and used in accordance with the instructions, may cause harmful interference to radio communications. However, there is no guarantee that interference will not occur in a particular installation.

If this equipment does cause harmful interference to radio or television reception, which can be determined by turning the equipment off and on, the user is encouraged to try to correct the interference by one or more of the following measures:

- Reorient or relocate the receiving antenna.
- Increase the separation between the equipment and receiver.
- Connect the equipment into an outlet on a circuit different from that to which the receiver is connected.
- Consult the dealer or an experienced radio/TV technician for help.



This device complies with Industry Canada licence-exempt RSS standard(s). Operation is subject to the following two conditions: (1) this device may not cause interference, and (2) this device must accept any interference, including interference that may cause undesired operation of the device.

Under Industry Canada regulations, this radio transmitter may only operate using an antenna of a type and maximum (or lesser) gain approved for the transmitter by Industry Canada. To reduce potential radio interference to other users, the antenna type and its gain should be so chosen that the equivalent isotropically radiated power (e.i.r.p.) is not more than that necessary for successful communication.

This device complies with Part 15 of the FCC Rules. Operation is subject to the following two conditions:
(1) this device may not cause harmful interference, and
(2) this device must accept any interference received, including interference that may cause