

Shenzhen SDC Technology co.,Ltd

Spring type antenna product specification

customer		frequency range	440M-467M
material type		version	V1
customer part number		company part number	T050
Production application field	Toy watch 2way radio		
RF design	James wang	RF manager	Knight Ai
mechanical design		Mechanical manager	
CTO		date	20220919

customer confirm:

if it is fulfil requirement:

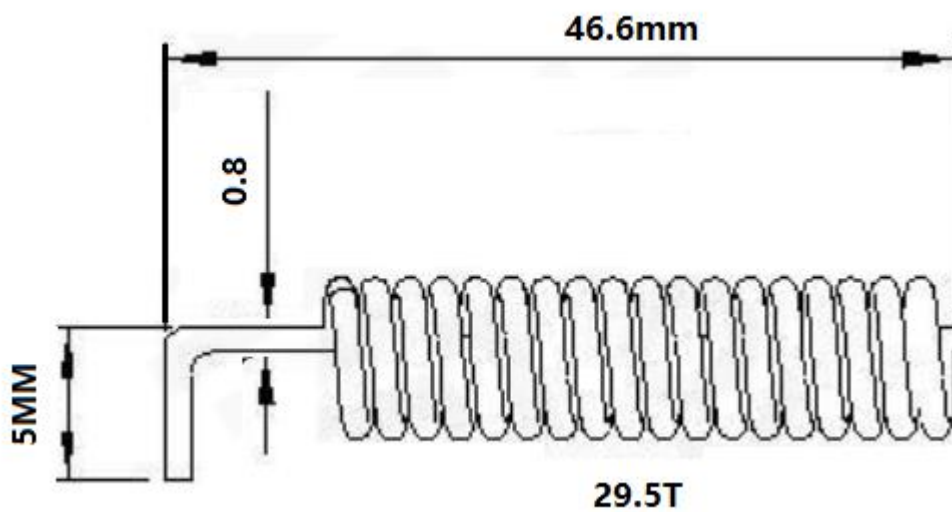
1 . product picture



2 . product parameter

product test parameter			
Product Name	440M-470M Spring antenna	product type	T050
Electrical Specifications			
Frequency range	440M-470M	Polarization	vertial
Impedance	50Ω	Radiation direction	omnibearing
VSWR	1.9:1MAX	Power	50W
Gain	0 DBI	Bandwidth	30MHZ
Mechanical Specifications			
Size		antenna color	silver
connect type	weld	lead length	\
antenna material	Stainless steel with nickel plating;		
working temperature)	-10 ~ +60 °C	storage temperature	-10 ~ +70 °C

3 . structure size



4 . Antenna radiation feature

