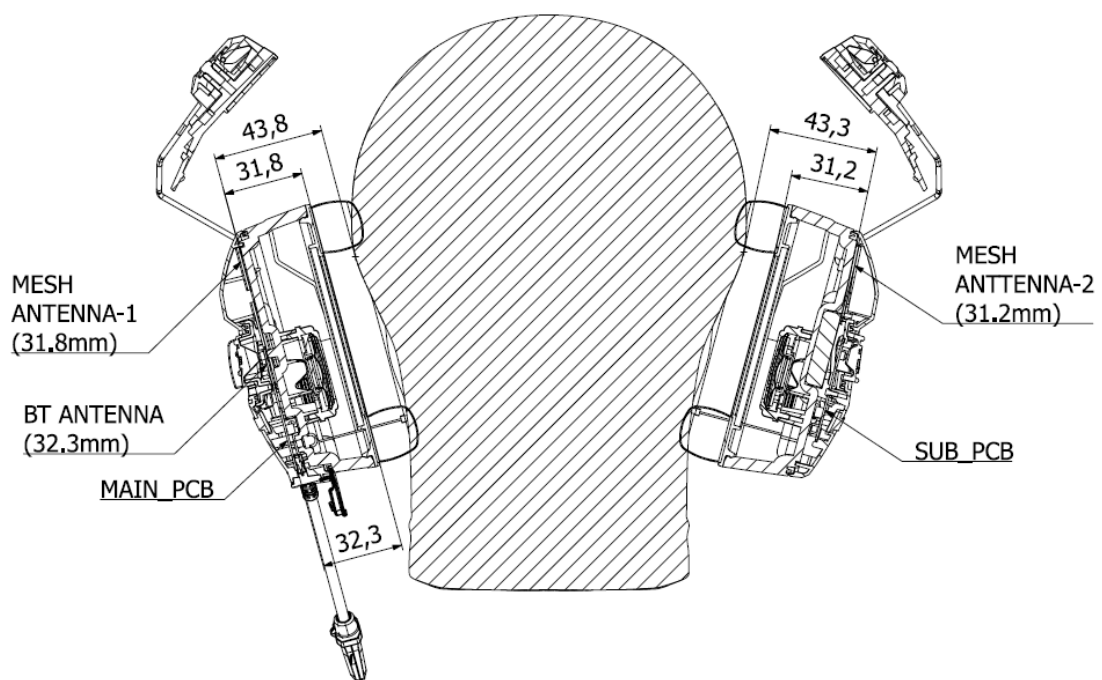


Applicant: Andreas Stihl AG & Co. KG

To. Whom it may concern:

We, Andreas Stihl AG & Co. KG. declare that when equipped, the distance between antenna and one's head surface is 31.2mm.



SECTION A-A

Markus R Thielemann

Markus R Thielemann, Standars Management