

STIHL ADVANCE ProCOM

P/N: XXXX-XXX-XXXX

Andreas Stihl AG & Co.KG, 71336 Waiblingen, Germany

SNR 31dB • M 29dB • NRR XXdB • CSA A

SLC80 XX Class X AS/NZS 1270

Model: SP94

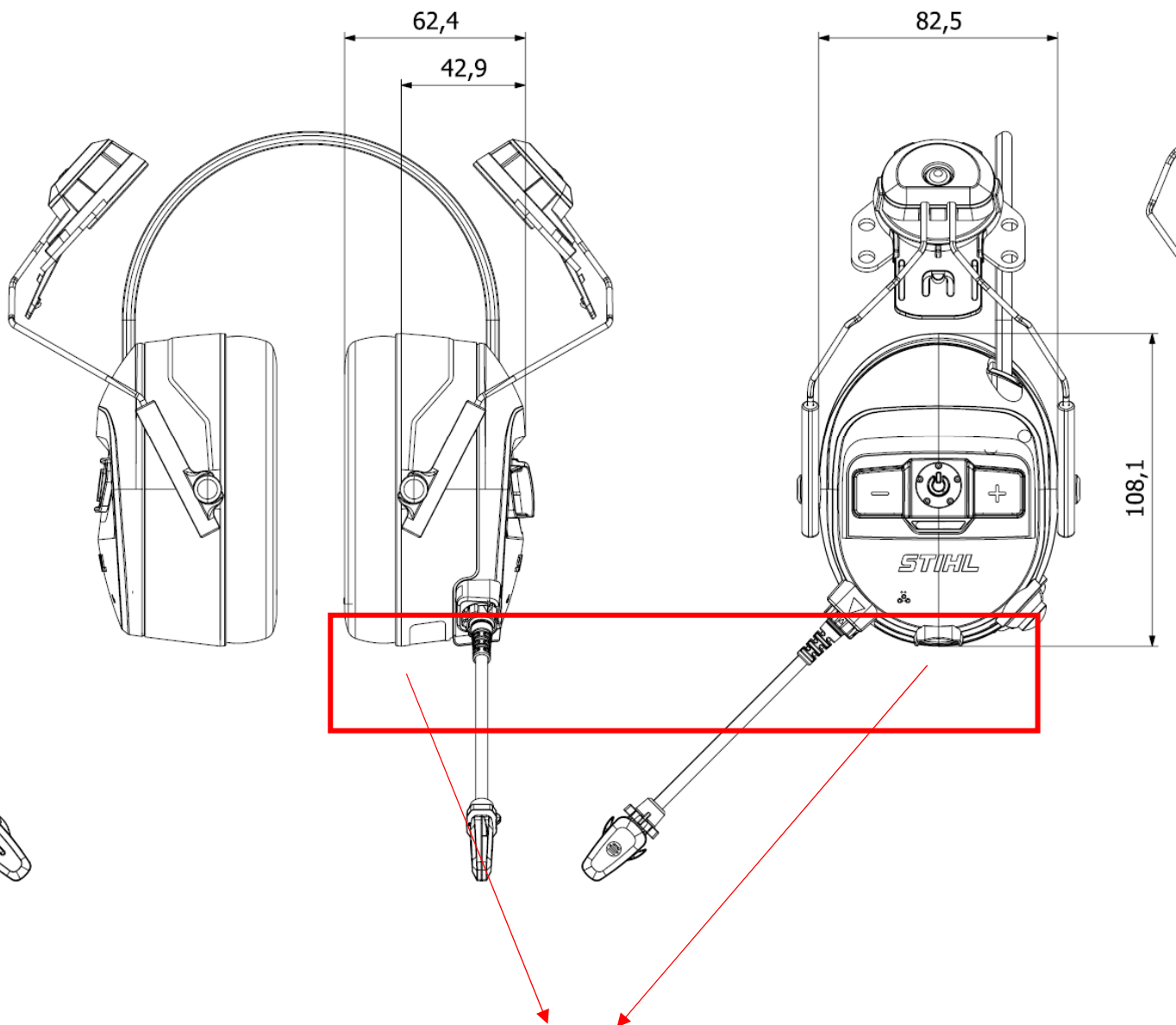
FCC ID: 2ALP8SP94

IC: 23431-SP94

5V $\overline{=}$, 1.5A

Made in China

**UK
CA** EN 352
0321



Label location – left bottom of sample.