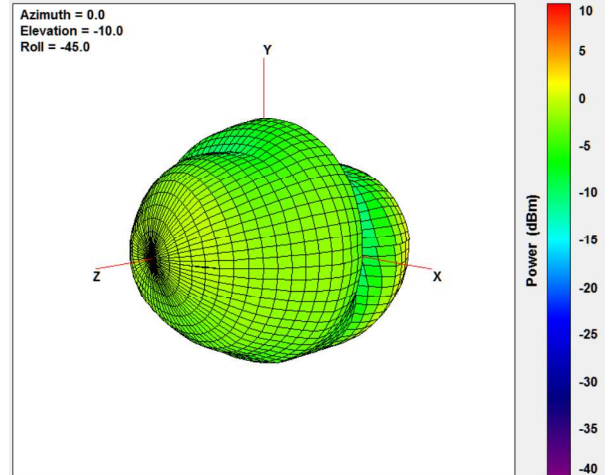
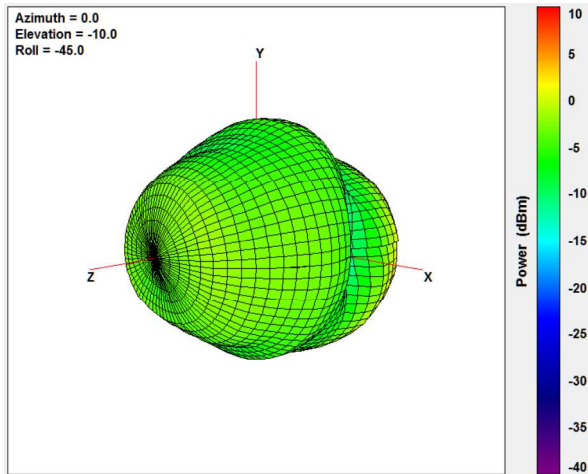


2500MHz

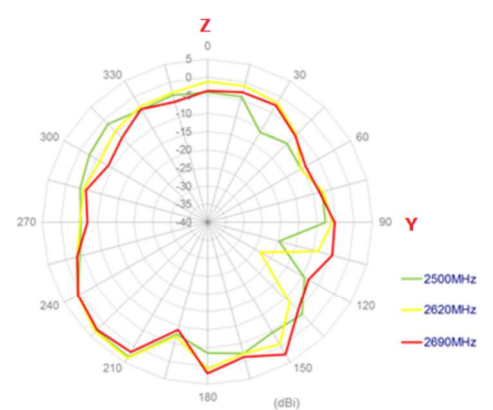
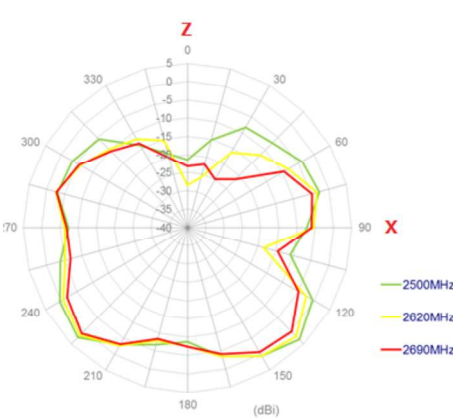
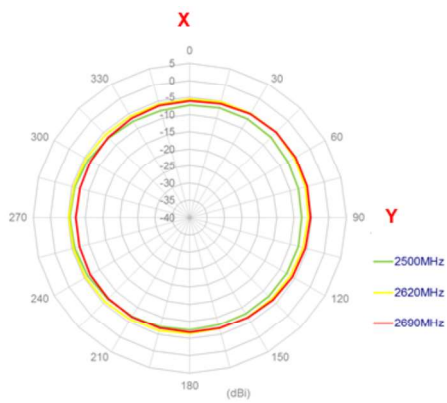


2620MHz



2690MHz

XY Plane XZ Plane YZ Plane

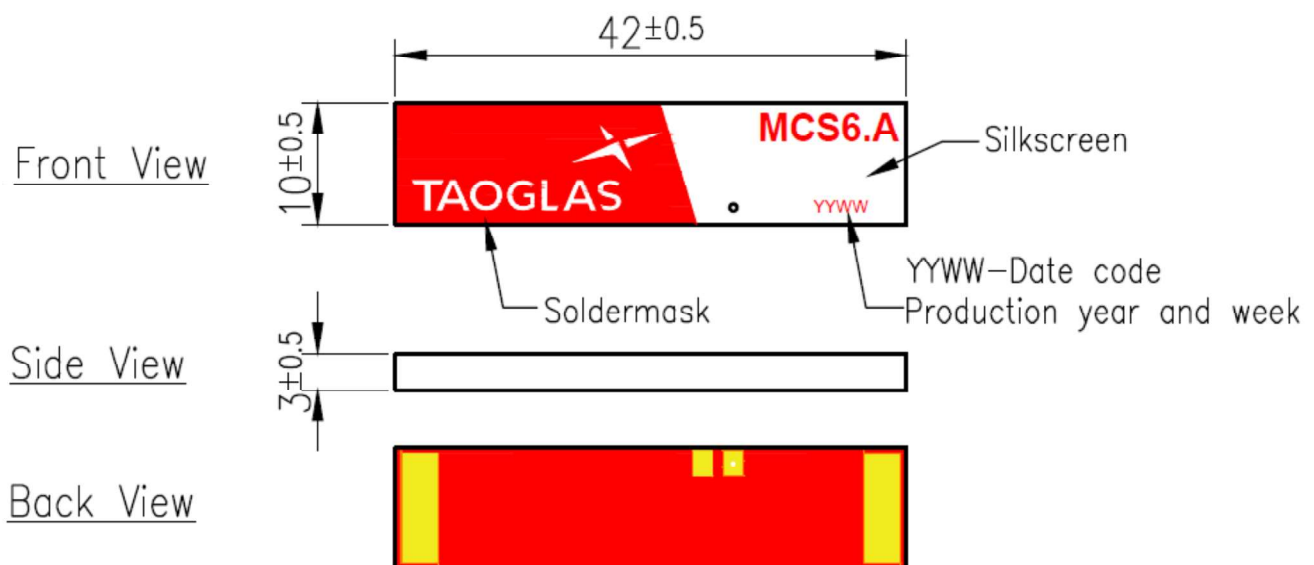


5. Matching Circuits



6. Mechanical Drawing

6.1 Mechanical Drawing

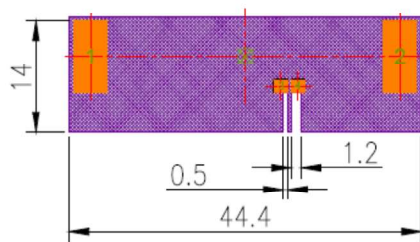


6.2 Footprint

FootPrint

Top Copper

Pads 1 and 2 are the same size, Pads 3 and 4 are the same size, Pad 4 should be connected to a 50 ohm transmission line.

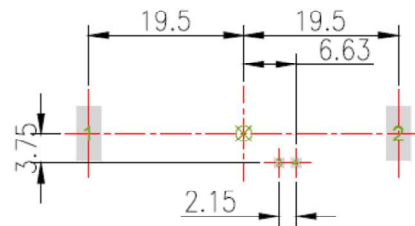


B

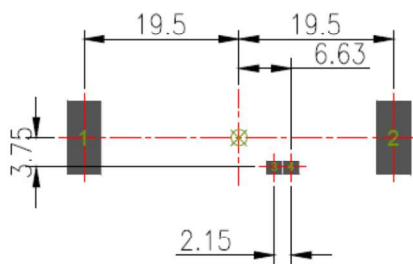
Pin/Pad Number	Value
1	NC (No connect / Open)
2	NC (No connect / Open)
3	Ground
4	Feed Line

Top Solder Paste

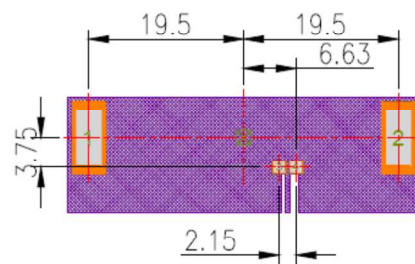
Pads 1 and 2 are the same size, Pads 3 and 4 are the same size.



Top Solder Mask



Composite Diagram



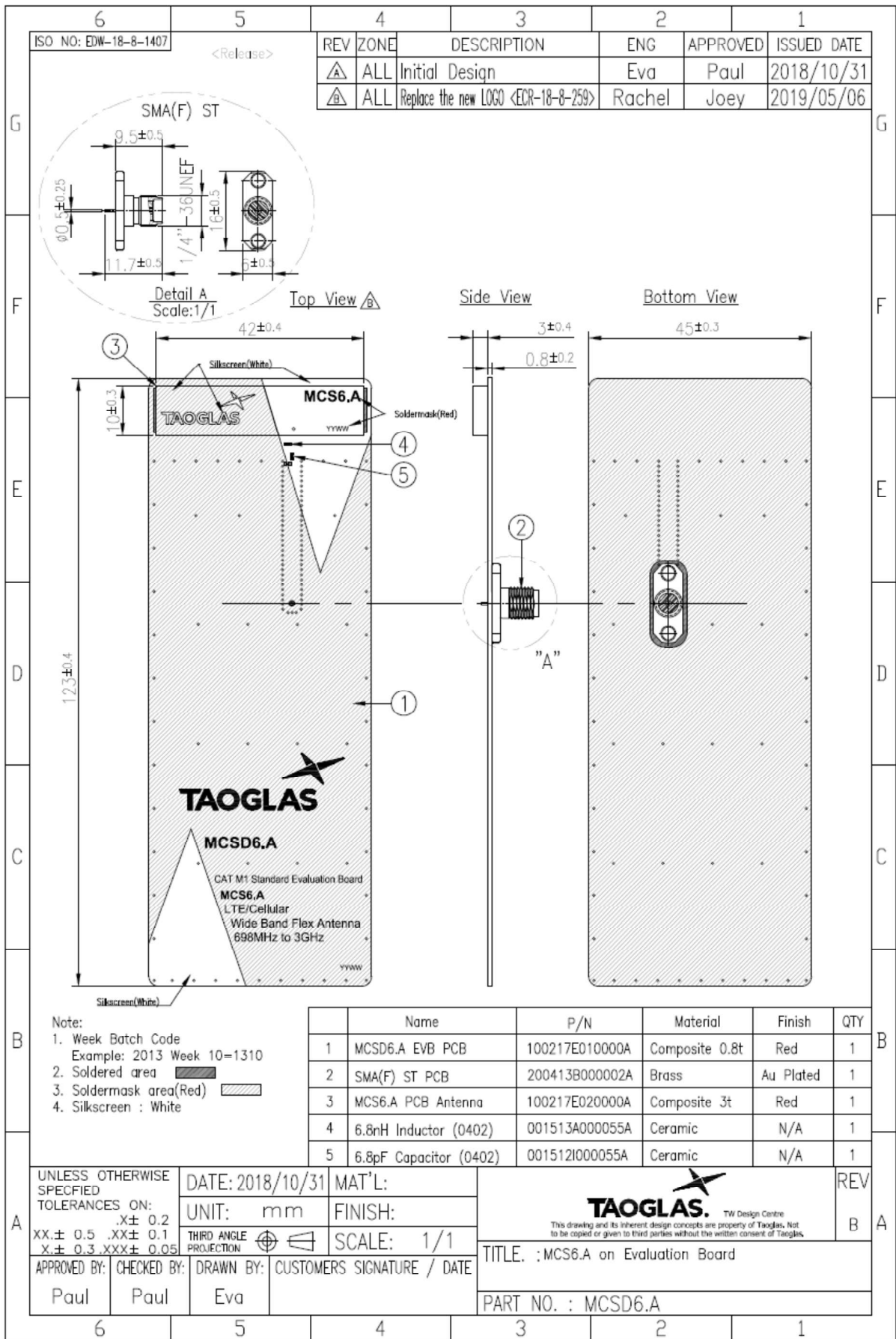
NOTE:

1. Au Plated area
2. Solder Mask area
3. Copper area
4. Paste area
5. Keepout Region area
6. Silkscreen
7. Soldermask



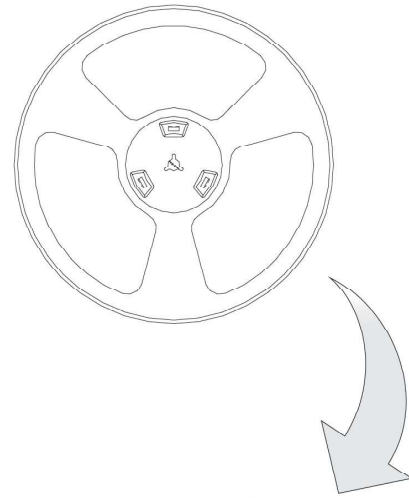
8. Ground keepout should extend through any inner PCB layers and any sides around the antenna till the board edge to minimize coupling from RF feed to ground, except the side facing system ground.
9. Any vias in pads should be either filled or tented to prevent solder from wicking away from the pad during reflow.
10. The dimension tolerances should follow standard PCB manufacturing guidelines.

6.3 Evaluation Board

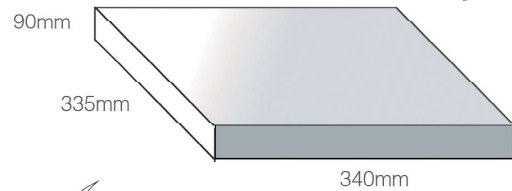


7. Packaging

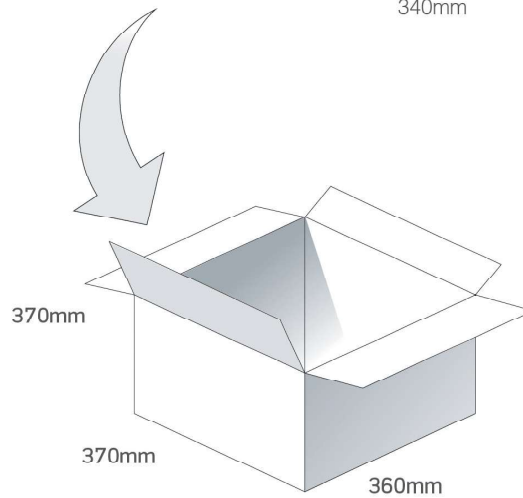
1000 pcs MCS6.A reel
 Dimensions - 330*330*60mm
 Weight - 2kg



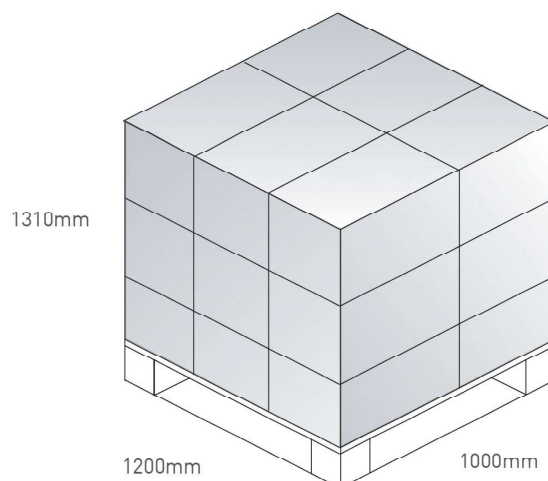
1000 pcs MCS6.A / 1 Reel in small box
 Dimensions - 335*340*90mm
 Weight - 2.1Kg



4 reels, 4000 pcs in one carton
 Carton Dimensions - 370*360*370mm
 Weight - 9.2Kg

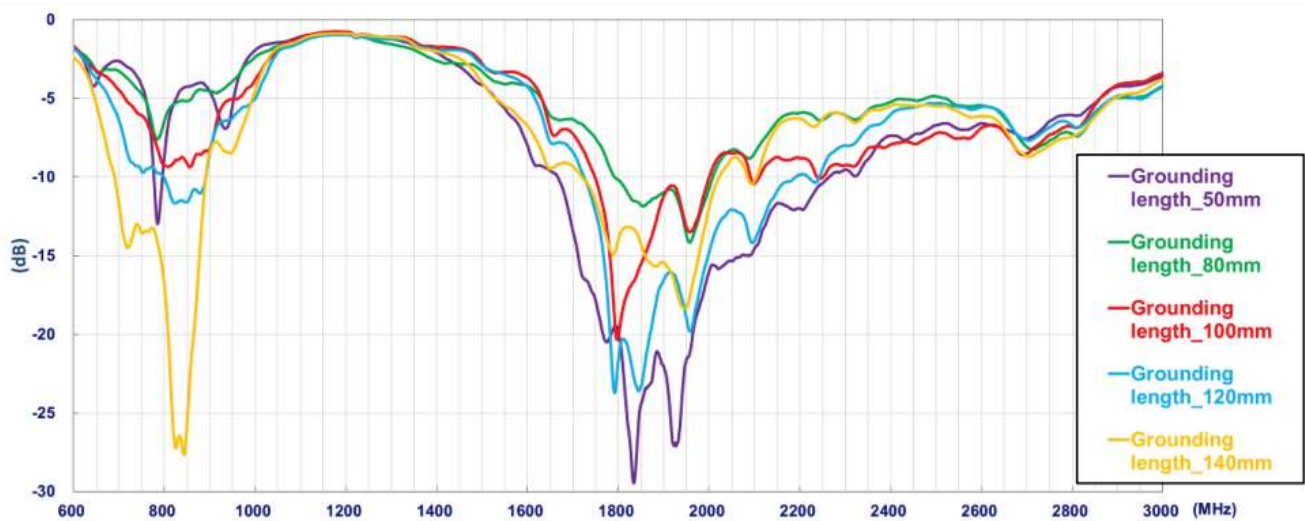


Pallet Dimensions 1200*1000*1310mm
 18 Cartons per Pallet
 6 Cartons per layer
 3 Layers



8. Application Note

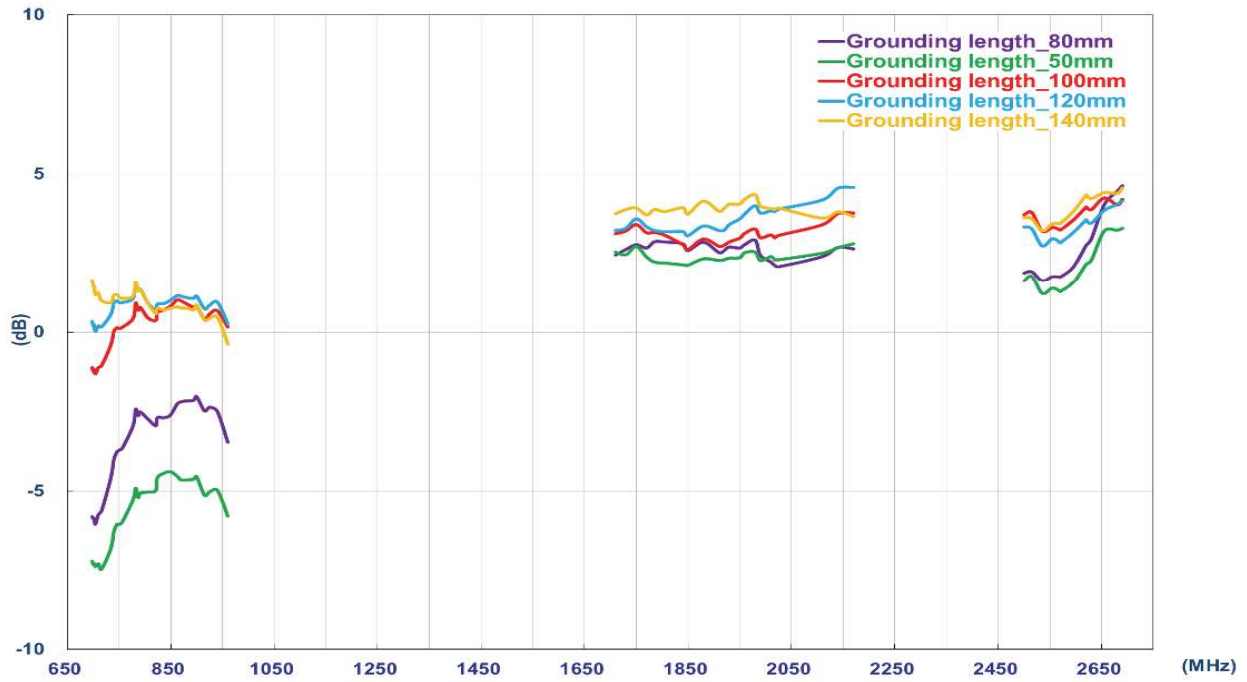
8.1 Return Loss



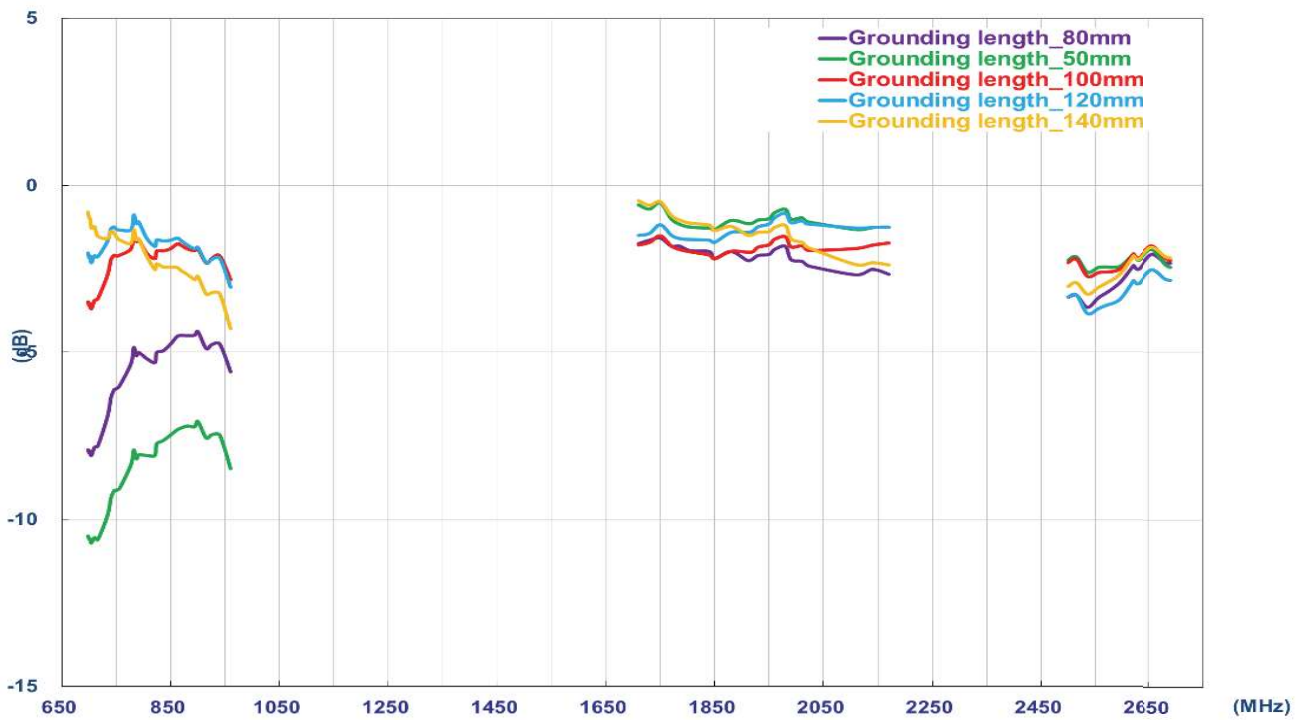
8.2 Efficiency



8.3 Peak Gain



8.4 Average Gain



Changelog for the datasheet

SPE-17-8-036 – MCS6.A

Revision: E (Current Version)	
Date:	2021-09-14
Changes:	MSL, font and datasheet rev as it was listed as the "B" version.
Changes Made by:	Erik Landi

Previous Revisions

Revision: D	
Date:	2019-07-25
Changes:	Template & EVB Drawing
Changes Made by:	Jack Conroy

Revision: C	
Date:	2018-10-23
Changes:	Pads Amended
Changes Made by:	David Connolly

Revision: B	
Date:	2017-08-08
Changes:	Drawing Updated
Changes Made by:	Andy Mahoney

Revision: A (Original First Release)	
Date:	2017-08-10
Notes:	
Author:	Jack Conroy

--	--

--	--

--	--

--	--

--	--

--	--



TAOGLAS®

www.taoglas.com

