



BLUETOOTH® EARBUDS

Thank you for purchasing the Bluetooth® Earbuds. Before using this product, please read this instruction manual carefully and keep for future reference.

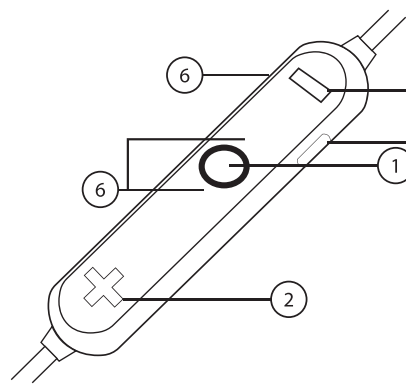
CONTENTS:

- STN-888
- USB to Micro-USB Charge Cable
- Instruction Manual

SAFETY / CARE NOTES:

When used for the first time, please ensure that the volume is on a low setting as excessive volume may cause damage to the unit and potentially impair your hearing. Please keep the earbuds away from liquids, excessive moisture, rainwater, sand, dust, dirt and heat sources.

OPERATING YOUR EARBUDS:



1. MULTIFUNCTION KEY - Hold the button down to turn it on (voice prompt to power on) and the indicator LED lights up. Keep the button down for pairing to begin - the LED will flash Blue and Red. While this is flashing search and select the corresponding Bluetooth® device name on your phone to begin pairing. You will hear "CONNECTION SUCCESSFUL" meaning the Earbuds are now connected. The Blue LED light will flash twice every five seconds. After connected to Bluetooth®, short press the main button to PAUSE and PLAY music. When you have a phone call, short press to answer and hang up. Short press twice to redial the last phone number called.

Please Note: For call functions you will have to be on the call section of your device.

- 2. + (PLUS)** - Long press to increase the volume. Short press to move to the next song
- 3. - (MINUS)** - Long press to decrease the volume. Short press to move to the previous song.
- 4. MICRO USB CHARGING PORT** - When you need to charge your Earbuds please use the micro-USB to USB cable provided. Connect to any PC, power bank or power adapter.
- 5. STATUS INDICATOR LAMP**
- 6. BUILT-IN MICROPHONE**

AUTO-OFF FUNCTION:

When the Bluetooth® Earbuds are not in use the device will turn off after 8 minutes.

CHARGING:

When charging the Earbuds the Red LED will appear solid. Once fully charged the LED light will turn off.

When there is a low battery, the Earbuds will prompt "Low battery, please charge", and then will automatically shut down if not charged.

When you need to charge your Earbuds please use the Micro-USB to USB cable power wall adapter.

TROUBLESHOOTING:

- Speaker will not turn on: Check your Earbuds are charged by following the charging instructions.
- Unable to connect to Earbuds via Bluetooth®: Ensure your Earbuds are turned on. Ensure your Bluetooth® device is within range of your Earbuds (8 meters without obstruction). Check that your device is paired with the Earbuds.
- No output on Earbuds: Ensure that the volume is turned up on your device and PAUSE is not active.

SPECIFICATIONS:

Battery:
 Operating voltage 3.7v DC
 Capacity 70mAh
 Type Lithium polymer
 Playback duration Up to 3-4 hours

Charging:
 USB Voltage 5v DC
 Current 100mA
 Charging time 2 hours if not in use

Audio input: 100mA
 Bluetooth Versions 5.0
 Bluetooth range 32ft
 Speaker Ø10mm
 Impedance 22Ω
 Sensitivity 105dB+ / - 3dB

Amplifier
 Power 2*20mW
 THD 1%
 Frequency Response 20Hz-20 KHz
 SNR >95dB

WARNING:

Do not place the Earbuds near fire. Do not expose the product to an excessively hot environment. Do not expose the Earbuds

to water or high humidity. Do not place the Earbuds on flammable materials while charging. Do not charge the Earbuds in excess of rated capacity. Do not use the Earbuds in temperatures below freezing or over 100°F. Do not drop or shake. Do not disassemble the Earbuds or attempt to repair or modify it in any way. The Earbuds are not a toy. It is not intended for use by children without supervision.

If heat, discoloration or warping appears when charging, immediately disconnect the device and discontinue use as this may cause leakage or ignition. If battery leakage does occur, avoid contact with eyes. If liquid does come into contact with eyes or skin, do not rub. Rinse the affected area with clean water and consult a physician immediately.

Only use the provided power cable for charging the Earbuds. Please consult your device's owner manual for USB specification to ensure compatibility.

LIMITED WARRANTY:

CITIES Market Studios ("CITIES") warrants the product against defects in material and workmanship under normal use for a period of one year from the original date of purchase. CITIES will repair or replace the defective product, at our option, at no additional charge. This warranty is applicable to the original purchaser only and is applicable only when presented with proof of purchase.

LIMITATIONS: This limited warranty does not cover normal wear and tear of the products. This warranty does not apply to damage resulting from: improper or unreasonable use or maintenance, abuse, negligence, failure to follow instructions contained in any written materials that accompany the product, deterioration by reason of excess moisture, corrosive atmosphere, lightning, power surges, connections to improper voltage supply, unauthorized alteration, or other external causes such as extremes in temperature or humidity, modifications, scratches or discoloration, accidents, misuse, or acts of God. To make a warranty claim, email service@citiesms.com. Be sure to include a copy of the

sales receipt to demonstrate proof of purchase. CITIES shall not be liable, in any event, for any incidental or consequential damages resulting from use or misuse of this product. Except to the extent prohibited by law, any implied warranty of merchantability or fitness for a particular purpose on this product is limited in duration to the warranty period. Some states do not allow the exclusion or limitation of incidental or consequential damages so that the above limitations may not apply to you. This warranty gives you specific rights, and you may also have other rights, which vary from state to state.

This device complies with Part 15 of the FCC Rules. Operation is subject to the following two conditions:

- (1) this device may not cause harmful interference, and
- (2) this device must accept any interference received, including interference that may cause undesired operation.



The Bluetooth® word mark and logos are registered trademarks owned by the Bluetooth SIG, Inc. and any use of such marks is used under licence.

Made in China.



FCC STATEMENT :

This device complies with Part 15 of the FCC Rules. Operation is subject to the following two conditions:

- (1) This device may not cause harmful interference, and
- (2) This device must accept any interference received, including interference that may cause undesired operation.

Warning: Changes or modifications not expressly approved by the party responsible for compliance could void the user's authority to operate the equipment.

NOTE: This equipment has been tested and found to comply with the limits for a Class B digital device, pursuant to Part 15 of the FCC Rules. These limits are designed to provide reasonable protection against harmful interference in a residential installation. This equipment generates uses and can radiate radio frequency energy and, if not installed and used in accordance with the instructions, may cause harmful interference to radio communications. However, there is no guarantee that interference will not occur in a particular installation. If this equipment does cause harmful interference to radio or television reception, which can be determined by turning the equipment off and on, the user is encouraged to try to correct the interference by one or more of the following measures:

- Reorient or relocate the receiving antenna.
- Increase the separation between the equipment and receiver.
- Connect the equipment into an outlet on a circuit different from that to which the receiver is connected.
- Consult the dealer or an experienced radio/TV technician for help.

RF warning statement:

The device has been evaluated to meet general RF exposure requirement. The device can be used in portable exposure condition without restriction.

