

User Manual

I . Production Description:

The Bluetooth headphone of PBT200 is a high quality stereo Bluetooth headphone which possesses wireless music and calling function. Appearance vogue, beautifully designed, easy to carry, suitable for household, outdoor travel and other places, enjoy music anytime and anywhere. Provide super perfect sound quality for your computer, digital music players, and mobile phones and so on audio-visual products.

II . Function Features:

【Bluetooth Play】 Support pairing Bluetooth devices to play music such as mobile phone, tablet, TV.

【Hands-free calls】 Support for hands-free calls function, built-in high sensitive microphones, making phone calls have carefree to enjoy.

【Voice Prompt Coming Calls】 It will prompt the phone number when you have a coming call, it is more convenient.

【IOS Battery Display】 IOS mobile phone real-time display the earphone battery, let you know the earphone battery.

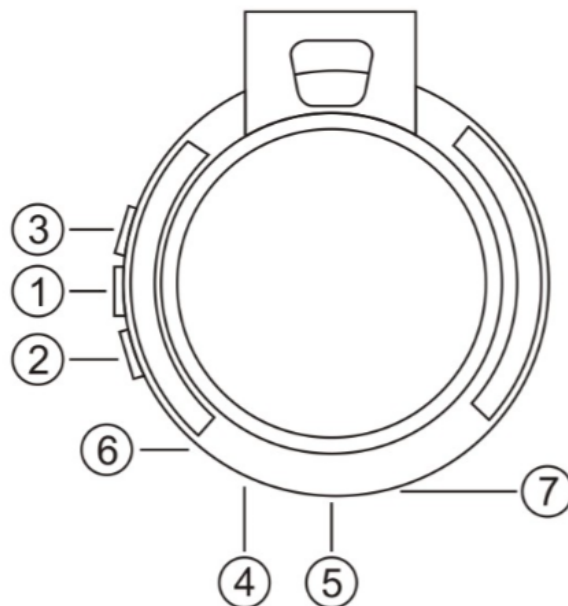
【Smart Power-off】 If not connected Bluetooth mode , it will turn off automatically after 5 minutes, don' t worry about waste of electricity for standby.

【Audio Input】 stereo audio input ports ,easy to connect the computer,

digital music player, mobile phone and other audio-visual products so on all kinds of audio source.

【 Rechargeable Lithium Electricity 】 The built-in rechargeable lithium battery, environmental protection, economical and practical.

【 Intelligent Charging 】 The voice prompt please charge when the battery is low, when full charge it will automatically cut off power to avoid battery charging too much to damage to the battery.





III. Function Definition Of Product Buttons And Slot

①▶▶ ②◀◀ ③▶▶| ④Micro USB Charging Ports ⑤Audio Input Ports ⑥Status Indicator Lamp ⑦Built-in Mic

①▶▶: Long press on, the blue light flashes, then enter the Bluetooth pairing state. Again long press to power off, indicator light will be off. After the success connection of the Bluetooth and phone, when short press for answering the phone call, long press can refuse to answer the

phone. After the call short press for hang up, continue press two times will redial the last time phone number.

②  : Long press for turn down the volume, short press for move previous song.

③  : Long press for turn up the volume, short press for move next song.

④ **【Micro USB Charging Ports】**: Power input jack, can use the native USB cable connect to the computer USB interface for charging, or use a mobile phone charger to charge.

⑤ **【Audio Input】**: use the audio cable contact to the digital music player, mobile phone and other audio-visual products so on all kinds of audio source.

IV. Bluetooth Pairing Operation Method:

In the Bluetooth mode, the blue light flashes, it is the state of the Bluetooth pairing, At this time search the corresponding Bluetooth device name on the phone, click the device name on the mobile phone for the Bluetooth pairing, hear "Connect successfully" means the pairing is successful, the Status indicator lamp lights blue color.

V. Method of turn to ordinary headphone

Insert the 3.5mm audio line jack into the audio input ports, the Bluetooth headphone will automatically power off, can use the Bluetooth headphone as ordinary headphone now, at the same time the function of

the Bluetooth headphone are useless(power off status) to save the electricity.

VI. Method Of Charging :

Insert the end of the charging cable to native MINI USB socket, the other end of the USB plug into the PC USB port, or connect to the standard 5V charger interface, the indicator light turns red when charging, the red light will extinguish when full of.

VII. Low Battery:

When there was a low voltage power, the machine will prompt "Low battery, please charge", and then will automatically shut down, please recharge in time at this time. If it is not to be used for a long time, charging one time every month at least, it can protect the battery and extend battery life.

VIII. AUTO POWER OFF

If not connected Bluetooth mode , it will turn off automatically after 5 minutes, don' t worry about waste of electricity for standby.

IX. Technical specifications:

- | | |
|-----------------------------|----------------|
| 1. Charging voltage: | Micro USB 5V |
| 2. Working Current: | 25-40mA |
| 3. Bluetooth Working Range: | 10M |
| 4. Output Power: | 2×20mW |
| 5. Frequency Range: | 2.402-2.480GHz |

6. Distortion Factor:	$\leq 1\%$
7. SNR:	$\geq 95\text{dB}$
8. Frequency Response:	20Hz-20KHz
9. Normal Working Time:	Music state 5h
10. Charging Time:	2 hours or so

FCC STATEMENT :

This device complies with Part 15 of the FCC Rules. Operation is subject to the following two conditions:

- (1) This device may not cause harmful interference, and
- (2) This device must accept any interference received, including interference that may cause undesired operation.

Warning: Changes or modifications not expressly approved by the party responsible for compliance could void the user's authority to operate the equipment.

NOTE: This equipment has been tested and found to comply with the limits for a Class B digital device, pursuant to Part 15 of the FCC Rules. These limits are designed to provide reasonable protection against harmful interference in a residential installation. This equipment generates uses and can radiate radio frequency energy and, if not installed and used in accordance with the instructions, may cause harmful interference to radio communications. However, there is no guarantee that interference will not occur in a particular installation. If this equipment does cause harmful interference to radio or television reception, which can be determined by turning the equipment off and on, the user is encouraged to try to correct the interference by one or more of the following measures:

- Reorient or relocate the receiving antenna.
- Increase the separation between the equipment and receiver.
- Connect the equipment into an outlet on a circuit different from that to which the receiver is connected.
- Consult the dealer or an experienced radio/TV technician for help.

RF warning statement:

The device has been evaluated to meet general RF exposure requirement. The device can be used in portable exposure condition without restriction.