



FM Transmitter

User Manual

IC-F53

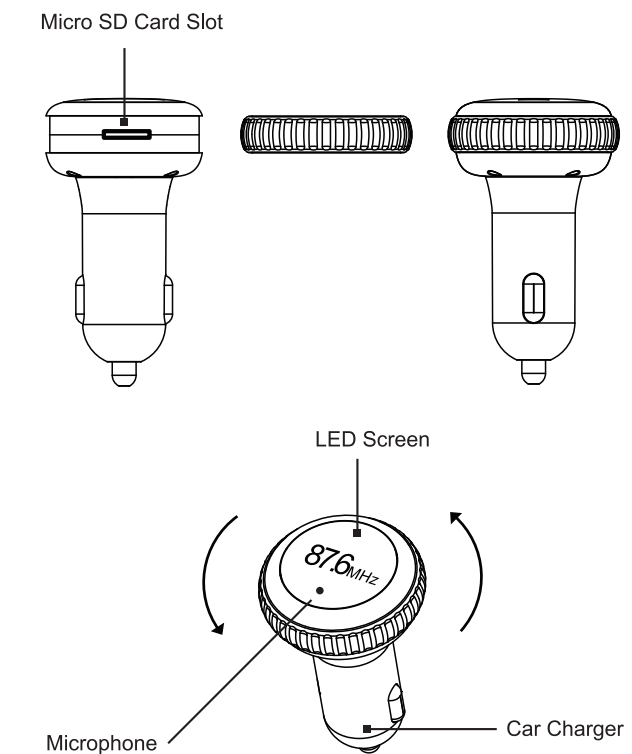
Thank you for purchasing this products. Please carefully read this instruction manual for proper setup instructions.

This IC-F53 FM transmitter lets you stream music and hands-free calls directly from your Bluetooth enabled devices to car FM stereo system. In addition, it features a Micro SD card slot that allows you to enjoy MP3/WMA format music over car stereo system too by inserting a Micro SD/TF card. With rotation function and remote controller design, it makes your driving much more interesting and safer.

Features

- Mini size with special rotation design, portable to anywhere
- Perfect wireless audio transmission function.
- Streaming MP3/WMA format music via inserted Micro SD card or Bluetooth-enabled devices over your car FM stereo system.
- Provides hands-free phone call solution while on the go
- With a remote controller for convenient use
- Built-in microphone and LED screen
- Auto calling-number system

Illustration



Specifications

Bluetooth version	CSR 8635 Bluetooth 4.0 (compatible with Bluetooth 3.0)
Music format	MP3, WMA
Range	88.1-107.9MHz
Interval	0.1MHz
Stability	±10ppm
Clutter & harmonic	≤ -60dB
Stereo separation	40dB
Frequency response	20Hz-16KHz
Audio distortion	≤ 0.1%(F=75KHz, f=1KHz)
SNR	≥ 45Db(1KHz 100%)
Effective range	About 5m
Working voltage	DC 12V/24V
Micro SD card	Up to 32GB(not included)
A2DP function	yes

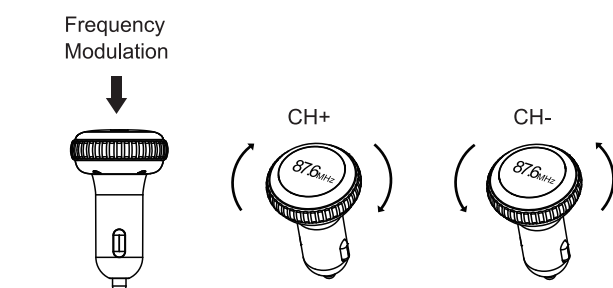
Package Contents

- 1 x Bluetooth FM Transmitter
- 1 x Remote Controller
- 1 x User Manual
- 1 x Warranty Card

Operating Guide

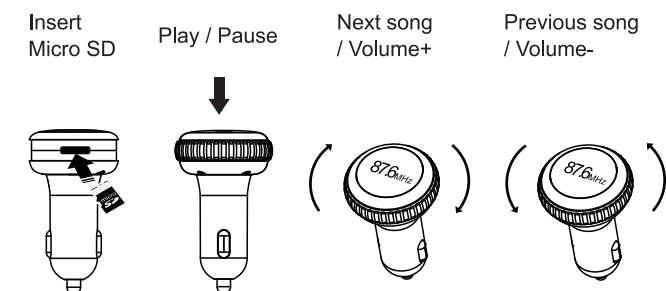
1. Micro SD Card Mode Instruction

- Plug the FM transmitter into your vehicle's cigarette lighter socket.
- Find an empty station and then keep the FM transmitter and car's FM radio at the same frequency.



Note: Click and hold till frequency flashing

- Insert your Micro SD card and then you can enjoy music playback.



Note: you can control music playback by the remote controller too.

2. Bluetooth Mode Instruction

When use its Bluetooth function for the first time, you need to pair it with your Bluetooth-enabled devices.

- Activate Bluetooth function on your devices and search new Bluetooth devices.
- When your devices detects this Bluetooth FM transmitter, please pair and connect them by typing original password "0000".

Operation	On FM transmitter	On Remote Controller
Answer / Hang up phone call	Press once	Press button
Play/ Pause music playback	Press once	
Adjust the Volume	Note: Rotate to choose the song. Rotate and hold a while for adjusting the Volume.	Press VOL+/VOL- button to increase/decrease the Volume.
Set Frequency	Note: Click and hold till frequency flashing	Press CH+/CH- button to increase/decrease 0.1MHz; Or press the numbers of the frequency what you desired, press CH+ button to confirm.
Choose music		Press button: Play the previous / next song; Or press the number of the song then press button to confirm
Choose EQ	Null	Press EQ button to choose your favorite EQ
Switch Folder	Null	Press Folder-/Folder+ button to switch folder

Precautions

- Never dismantle or modify this unit
- Avoid using strong local frequency to ensure a better tone
- Never use it in moist or underwater conditions
- Never use it near heater or high temperature conditions
- Never use it under direct or strong sunlight
- Never fall it down to floor
- Keep it out of children's reach

FAQs and Solution

- There is no sound or almost inaudible sound came from car stereo.

Check and make sure your input device and car stereo are not in mute state and set volume on them much higher.

- Music has noise.

- Check whether the car FM stereo system's frequency matches with the FM transmitter.

- Check your FM frequency channel is a clear one without the interference of your local FM station.
- Check whether the audio files are in good quality.
- Check whether the car is passing strong frequency interference area, such as train station, tram station or mobile transmission station or not.

- An echo is apparently audible when using my smartphone.

Set volume on your input device/car stereo lower.

- How can I reduce the static on my FM transmitter.

- First, please make sure you find empty stations (pure static) in your area.
- Second, make sure the volume is proper.

Recycling

The disposal and recycling must be done as per local area or country regulation: we strive for continued research and development. Thus, we reserve the right to amend this user manual without prior notification.

After-sale Service

Thanks again for your purchasing of our products. We are willing to offer you the most outstanding products and service and allow you to enjoy a pleasant high technology life. Since the date of purchase, if there is any doubt, please resort to sales service.

FCC Statement

Changes or modifications not expressly approved by the party responsible for compliance could void the user's authority to operate the equipment.

This equipment has been tested and found to comply with the limits for a Class B digital device, pursuant to Part 15 of the FCC Rules. These limits are designed to provide reasonable protection against harmful interference in a residential installation. This equipment generates uses and can radiate radio frequency energy and, if not installed and used in accordance with the instructions, may cause harmful interference to radio communications. However, there is no guarantee that interference will not occur in a particular installation. If this equipment does cause harmful interference to radio or television reception, which can be determined by turning the equipment off and on, the user is encouraged to try to correct the interference by one or more of the following measures:

- Reorient or relocate the receiving antenna.
 - Increase the separation between the equipment and receiver.
 - Connect the equipment into an outlet on a circuit different from that to which the receiver is connected.
 - Consult the dealer or an experienced radio/TV technician for help
- This device complies with part 15 of the FCC rules. Operation is subject to the following two conditions (1) this device may not cause harmful interference, and (2) this device must accept any interference received, including interference that may cause undesired operation.