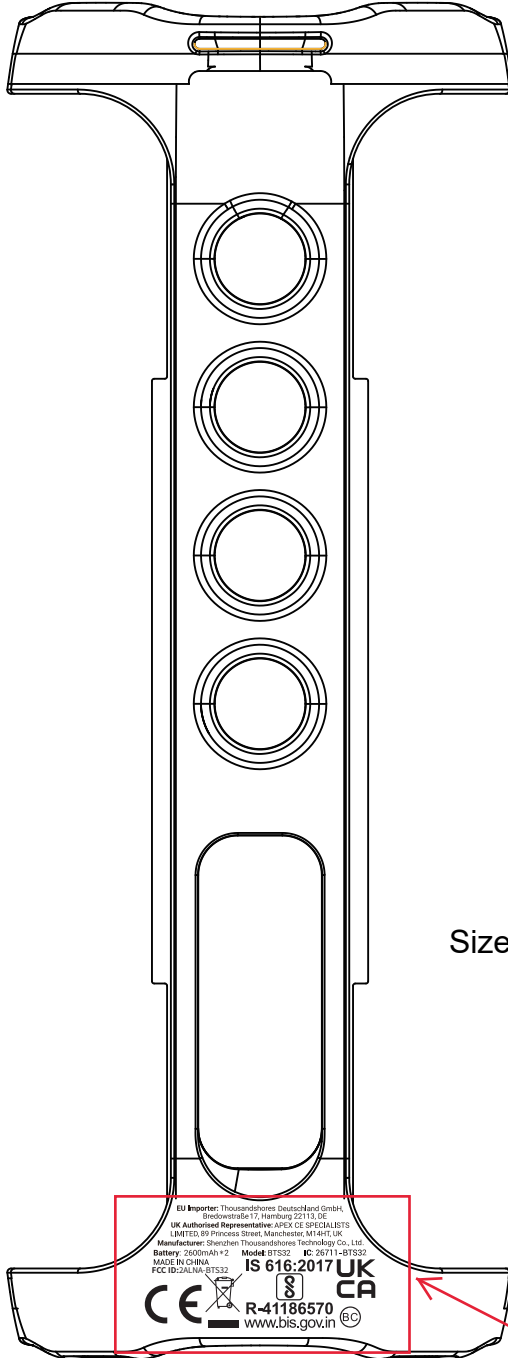




Label Artwork and Location  
Model: BTS32



Size: L\*W= 40\*26mm

EU Importer: ThousandsOne Deutschland GmbH,  
Bredowstraße 17, Hamburg 22113, DE  
UK Authorized Representative: APSC CE SPECIALISTS  
LIMITED, 89 Princess Street, Manchester, M14HT, UK  
Manufacturer: Shenzhen ThousandsOne Technology Co., Ltd.  
Battery: 2500mAh\*2    Model: BTS32    IC: 26711-B1832  
MADE IN CHINA  
FCC ID: 2ALNA-BTS32

**IS 616:2017 UK CA**

**CE**  **R-41186570**   
www.bis.gov.in

Location