

ZXL3216C1M08 Specification

Operating Temp. : -40°C~+85°C

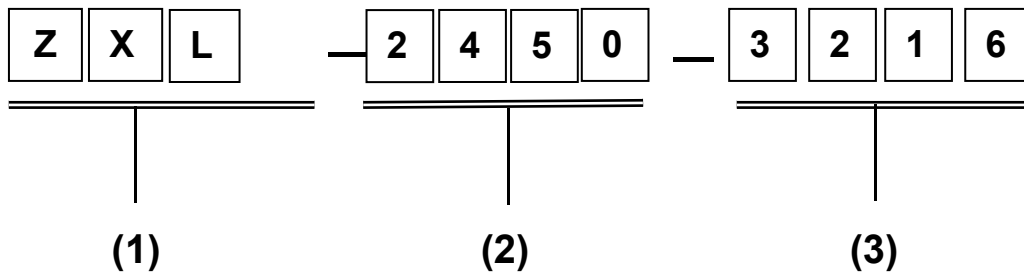
1. FEATURES:

- Light weight, compact
- Wide bandwidth, low cost
- Built-in antenna with high gain

2. APPLICATIONS:

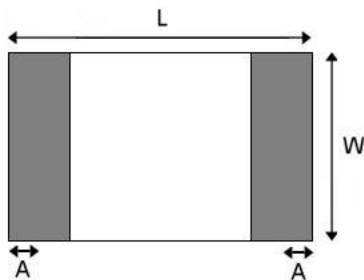
- Bluetooth, Wireless LAN, Mobile TV
- Home RF system, etc

3. PRODUCT IDENTIFICATION



- (1) Product type: Multilayer chip Antenna
 (2) Center Frequency: 2450MHz
 (3) External Dimensions (L×W) (mm): 3.2*1.6

4. SHAPE AND DIMENSIONS:



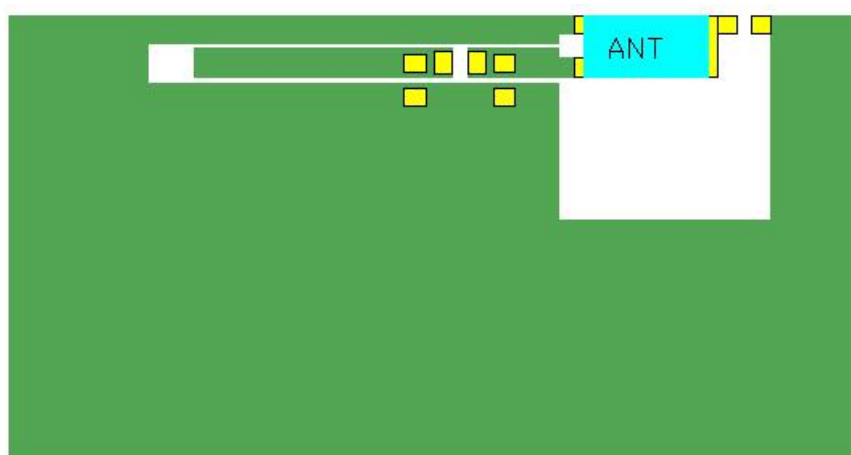
UNLESS OTHER SPECIFIED TOLERANCES ON : X=± X.X=± X.XX= ANGLES = ± HOLEDIA = ±			
SCALE : N/A	UNIT : mm		
DRAWN BY : Sera	CHECKED BY: XD		
DESIGNED BY: Sera	APPROVED BY: XD		
TITLE : CHIP2450-21 Specification	DOCUMENT NO.	3216	SPEC REV. P1

SHAPE AND DIMENSIONS

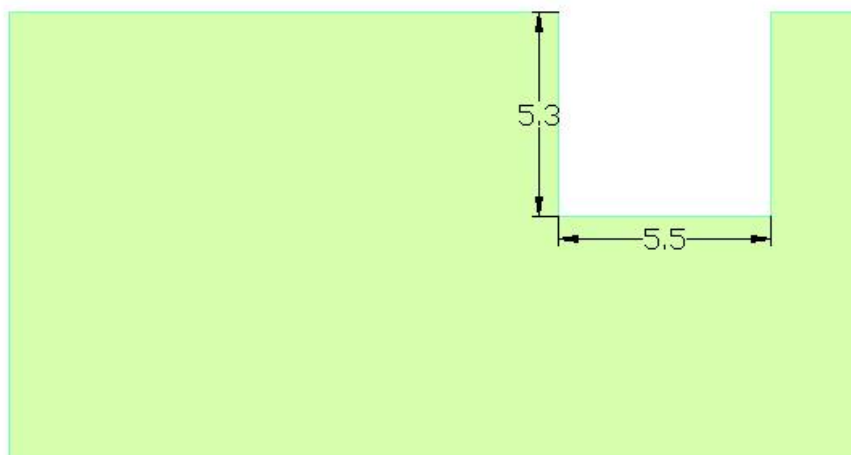
L	W	H	A
3.1 ± 0.3	1.6 ± 0.3	0.52 ± 0.2	0.4 ± 0.25

测试板参考尺寸:

单位: mm



- 天线
- PAD
- 底层铺铜
- 顶层铺铜



UNLESS OTHER SPECIFIED TOLERANCES ON :

$X = \pm$ $X.X = \pm$ $X.XX =$
ANGLES = \pm **HOLEDIA** = \pm

SCALE : N/A

UNIT : mm

DRAWN BY : Sera

CHECKED BY: XD

DESIGNED BY: Sera

APPROVED BY: XD

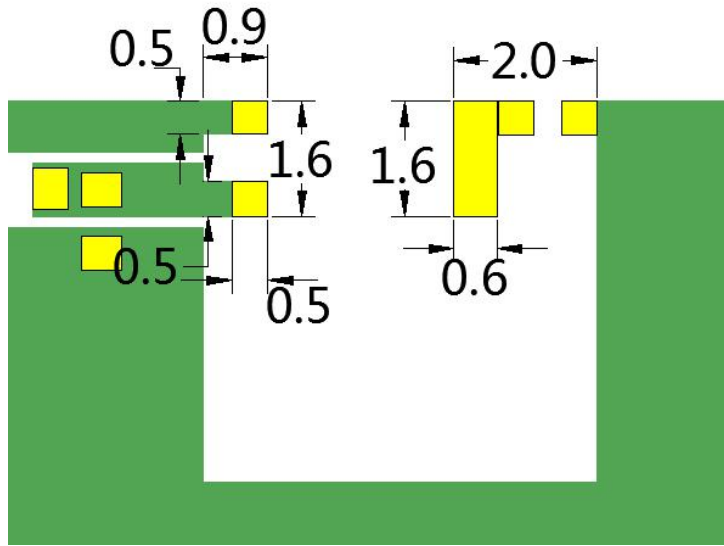
TITLE : CHIP2450-21 Specification

DOCUMENT
NO.

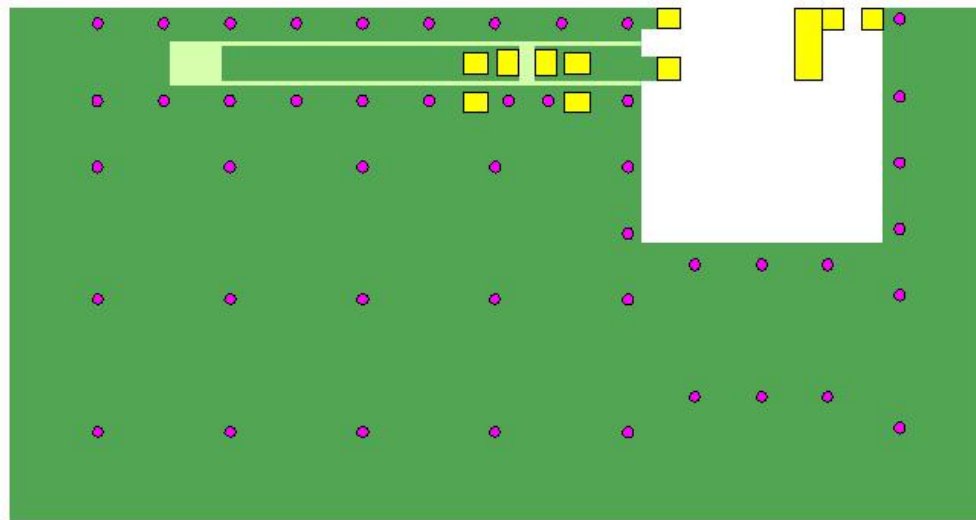
3216

SPEC REV.

P1



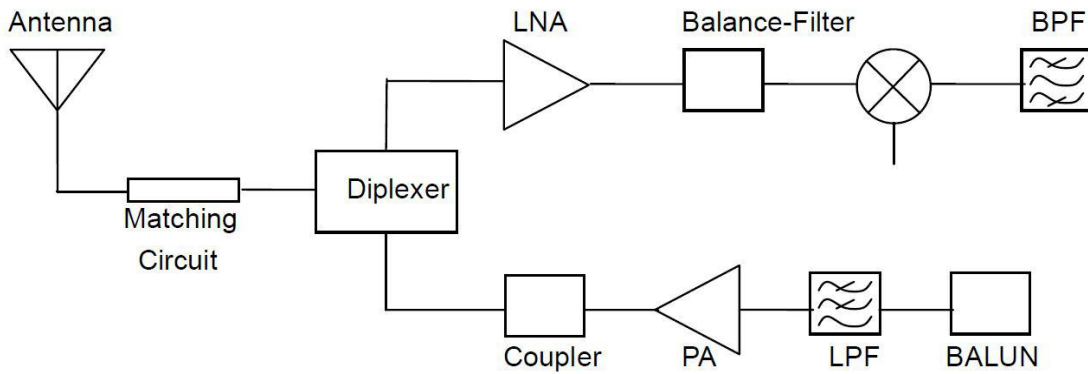
打孔参考示意图



- 天线
- PAD
- 底层铺铜
- 顶层铺铜
- 打孔

UNLESS OTHER SPECIFIED TOLERANCES ON :			
X=± X.X=± X.XX=			
ANGLES = ± HOLEDIA = ±			
SCALE : N/A	UNIT : mm		
DRAWN BY : Sera	CHECKED BY: XD		
DESIGNED BY: Sera	APPROVED BY: XD		
TITLE : CHIP2450-21 Specification	DOCUMENT NO.	3216	SPEC REV. P1

APPLICATION GUIDE



5. SPECIFICATIONS:

Test item	specification
bandwidth	2400~2483MHz
Polarization mode	Linear polarization
Maximum gain(dBi)	2.67dBi
Efficiency	72.30%
Input impedance	50 Ω

* Test condition: Test board size 90*40 mm

Matching circuit: Pi matching circuit will be required

UNLESS OTHER SPECIFIED TOLERANCES ON :

X=± X.X=± X.XX=
 ANGLES = ± HOLEDIA = ±

SCALE : N/A

UNIT : mm

DRAWN BY : Sera

CHECKED BY: XD

DESIGNED BY: Sera

APPROVED BY: XD

TITLE : CHIP2450-21 Specification

DOCUMENT
NO.

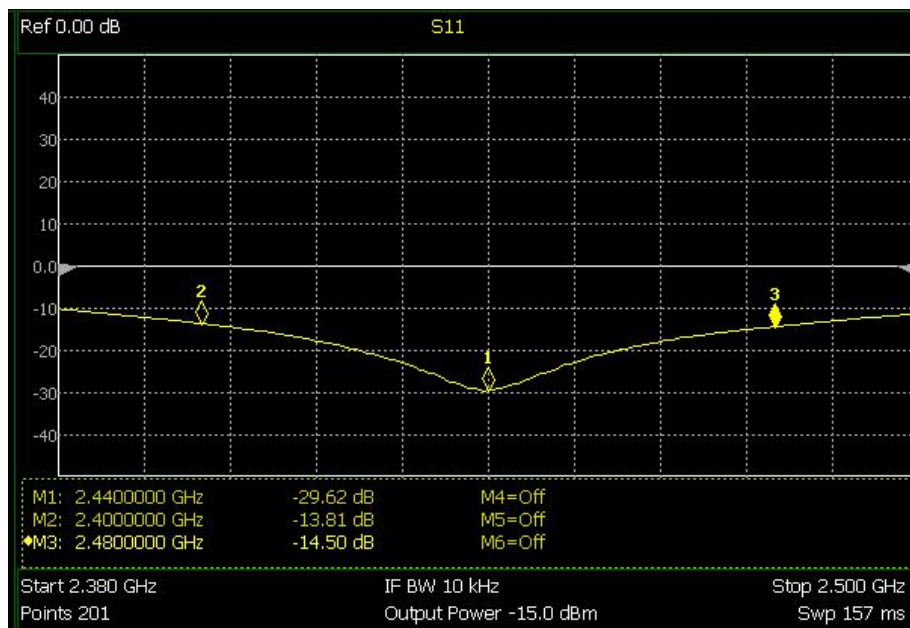
3216

SPEC REV.

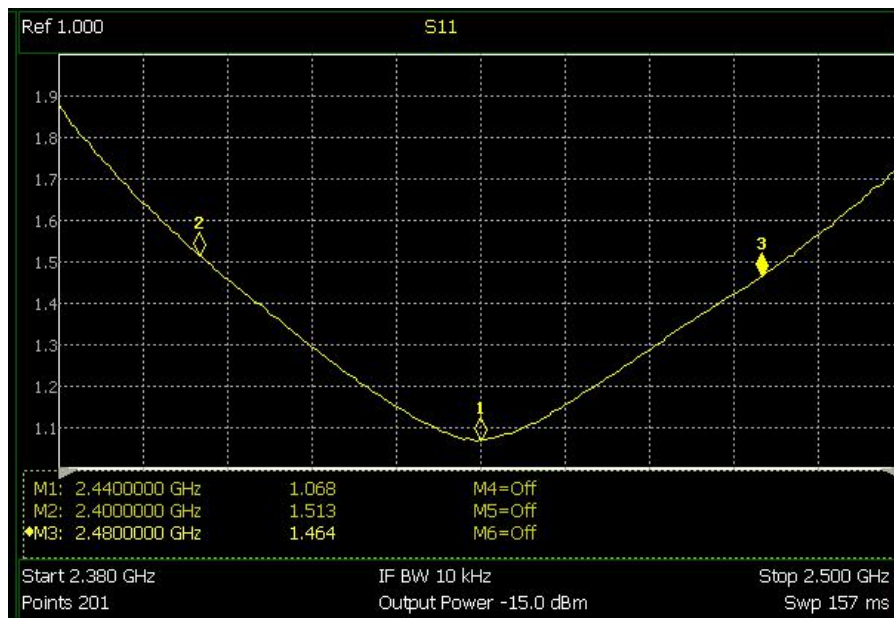
P1

6. Electrical Characteristics :

回波损耗



驻波比



UNLESS OTHER SPECIFIED TOLERANCES ON :

X=± X.X=± X.XX=
 ANGLES = ± HOLEDIA = ±

SCALE : N/A	UNIT : mm
DRAWN BY : Sera	CHECKED BY: XD
DESIGNED BY: Sera	APPROVED BY: XD

TITLE : CHIP2450-21 Specification

DOCUMENT NO.

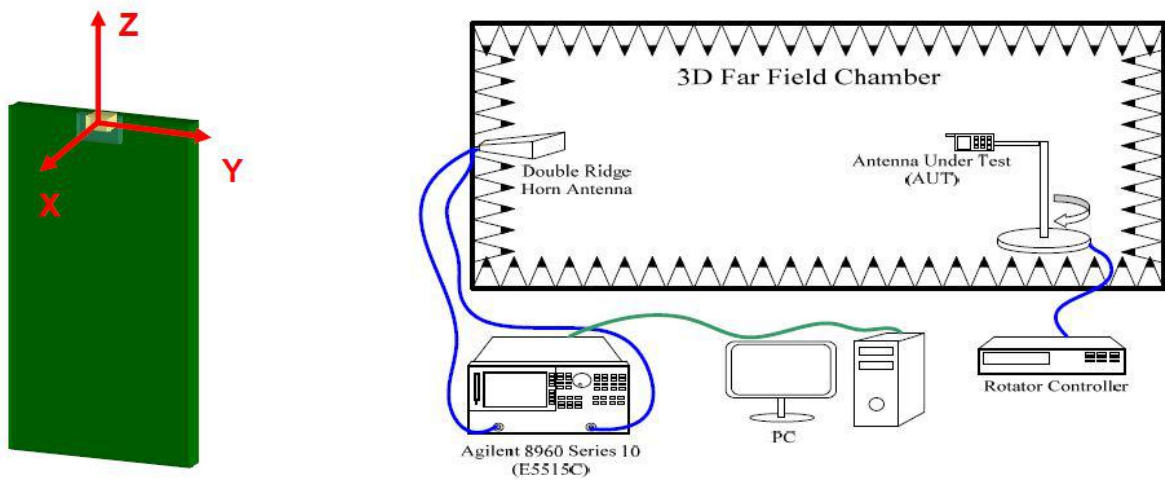
3216

SPEC REV.
P1

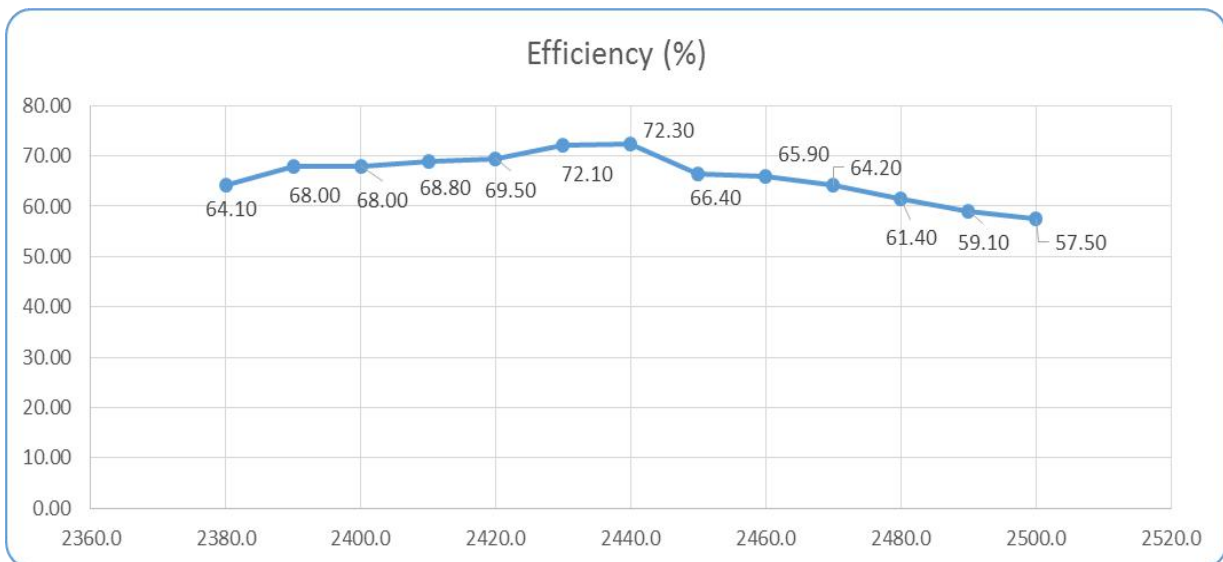
Mark	Frequency	VSWR
1	2400 MHz	1.513
2	2440 MHz	1.068
3	2480 MHz	1.464

Radiation Pattern

The Gain pattern is measured in FAR-field chamber. DUT is placed on the table of rotator, a standard horn antenna and Vector Network Analyzer is used to collect data.



◎ 效率



UNLESS OTHER SPECIFIED TOLERANCES ON :

X=± X.X=± X.XX=
 ANGLES = ± HOLEDIA = ±

SCALE : N/A	UNIT : mm
DRAWN BY : Sera	CHECKED BY: XD
DESIGNED BY: Sera	APPROVED BY: XD

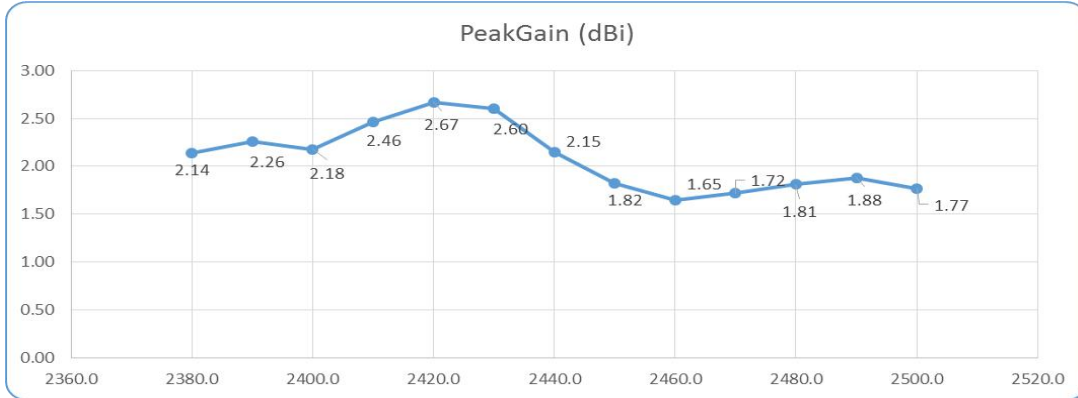
TITLE : CHIP2450-21 Specification

DOCUMENT NO.

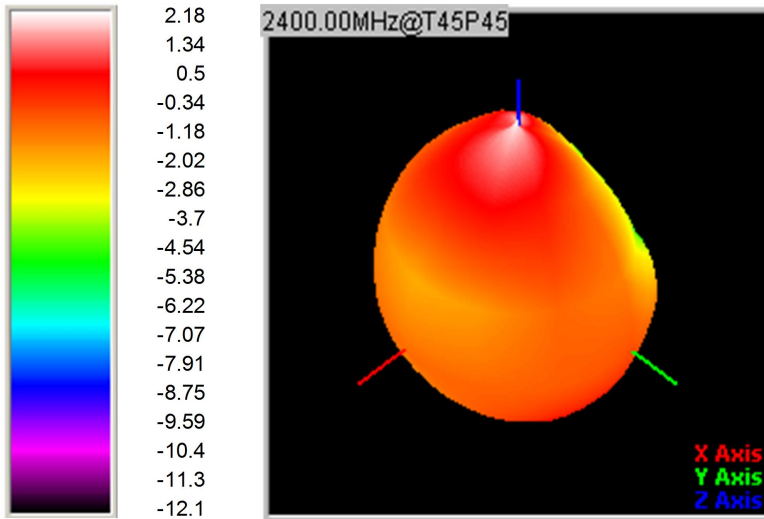
3216

SPEC REV.
P1

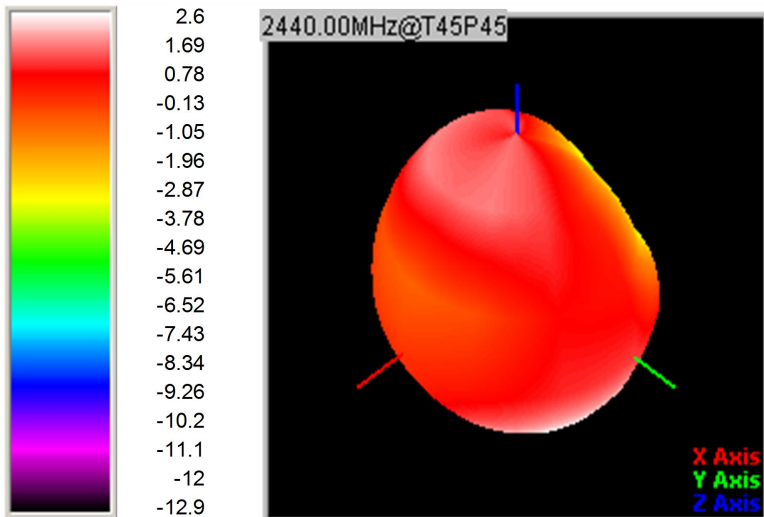
◎ 最大增益



◎ 3D Gain Pattern (2400 MHz)

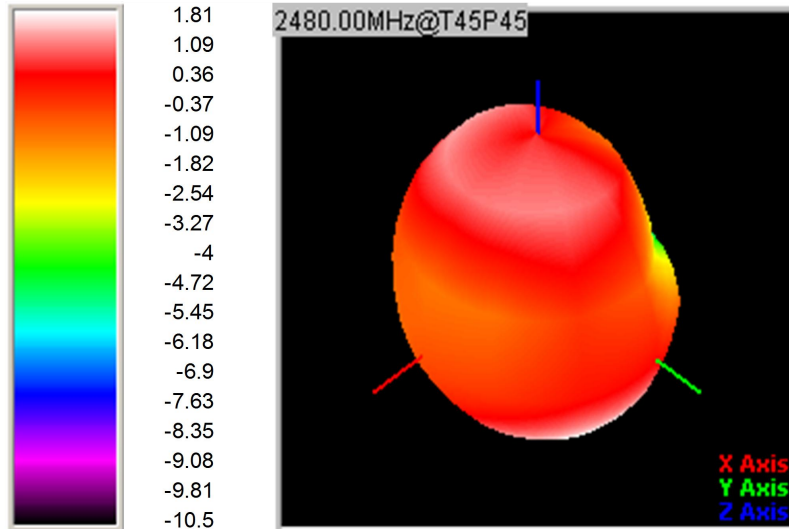


◎ 3D Gain Pattern (2440 MHz)



UNLESS OTHER SPECIFIED TOLERANCES ON :			
X=± X.X=± X.XX=			
ANGLES = ± HOLEDIA = ±			
SCALE : N/A	UNIT : mm		
DRAWN BY : Sera	CHECKED BY: XD		
DESIGNED BY: Sera	APPROVED BY: XD		
TITLE : CHIP2450-21 Specification		DOCUMENT NO.	SPEC REV.
		3216	P1

© 3D Gain Pattern (2480 MHz)



7. Environmental Characteristics

(1) Reliability Test

Item	Condition	Specification
Thermal shock	<ol style="list-style-type: none"> 30±3 minutes at -40° C±5° C, Convert to +105° C (5 minutes) 30±3 minutes at +105° C±5° C, Convert to -40° C (5 minutes) Total 100 continuous cycles 	No apparent damage Fulfill the electrical spec. after test.
Humidity resistance	<ol style="list-style-type: none"> Humidity: 85% R.H. Temperature: 85±5° C Time: 1000 hours. 	No apparent damage Fulfill the electrical spec. after test.
High temperature resistance	<ol style="list-style-type: none"> Temperature: 150° C±5° C Time: 1000 hours. 	No apparent damage Fulfill the electrical spec. after test.
Low temperature resistance	<ol style="list-style-type: none"> Temperature: -40° C±5° C Time: 1000 hours. 	No apparent damage Fulfill the electrical spec. after test.
Soldering heat resistance	<ol style="list-style-type: none"> Solder bath temperature : 260±5°C Bathing time: 10±1 seconds 	No apparent damage
Solderability	The dipped surface of the terminal shall be at least 95% covered with solder after dipped in solder bath of 245±5°C for 3±1 seconds.	No apparent damage

UNLESS OTHER SPECIFIED TOLERANCES ON :

X=± X.X=± X.XX=±
 ANGLES = ± HOLEDIA = ±

SCALE : N/A	UNIT : mm
DRAWN BY : Sera	CHECKED BY: XD
DESIGNED BY: Sera	APPROVED BY: XD

TITLE : CHIP2450-21 Specification

DOCUMENT NO.

3216

SPEC REV.

P1

(2) Storage Condition

(a) At warehouse:

The temperature should be within 0 ~ 30°C and humidity should be less than 60% RH.

The product should be used within 1 year from the time of delivery.

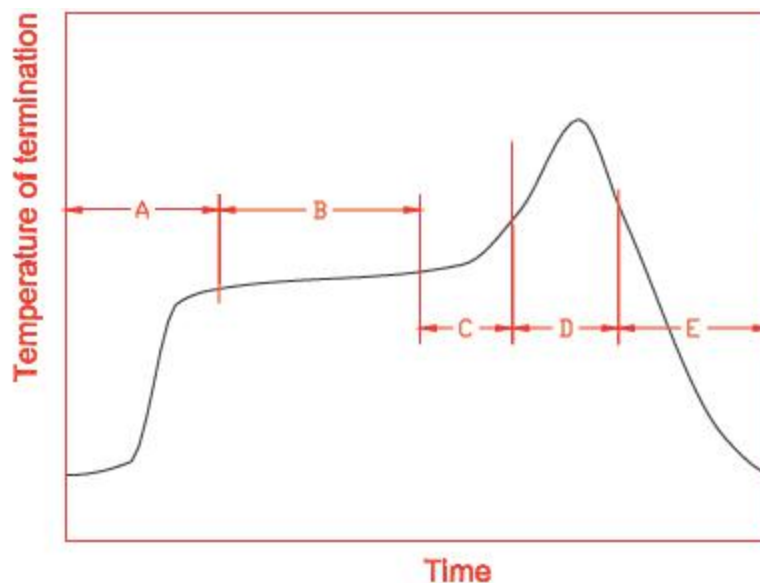
(b) On board:

The temperature should be within -40~85°C and humidity should be less than 85% RH.

(3) Operating Temperature Range

Operating temperature range : -40°C to +105°C.

8. Recommended Reflow Soldering



Phase	Description	Temperature Range	Time
A	1 st rising temperature	The normal to Preheating temperature	30s to 60s
B	Preheating	140°C to 160°C	60s to 120s
C	2 nd rising temperature	Preheating to 200°C	20s to 40s
D	Main heating	if 220°C	50s~60s
		if 230°C	40s~50s
		if 240°C	30s~40s
		if 250°C	20s~40s
		if 260°C	20s~40s
E	Regular cooling	200°C to 100°C	1°C/s ~ 4°C/s

*reference: J-STD-020C

UNLESS OTHER SPECIFIED TOLERANCES ON :

X=± X.X=± X.XX=±
 ANGLES = ± HOLEDIA = ±

SCALE : N/A

UNIT : mm

DRAWN BY : Sera

CHECKED BY: XD

DESIGNED BY: Sera

APPROVED BY: XD

TITLE : CHIP2450-21 Specification

DOCUMENT NO.

3216

SPEC REV.

P1

(1) Soldering Gun Procedure

Note the follows, in case of using solder gun for replacement.

- (a) The tip temperature must be less than 350° C for the period within 3 seconds by using soldering gun under 30 W.
- (b) The soldering gun tip shall not touch this product directly.

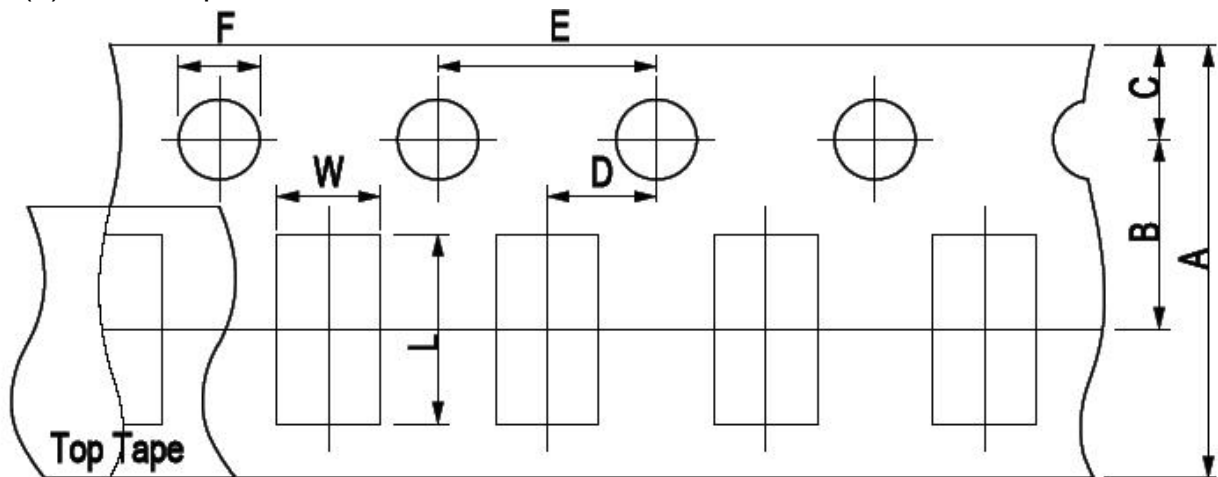
(2) Soldering Volume

Note that excess of soldering volume will easily get crack the body of this product.

9. Taping Package and Label Marking: (unit: mm)

(1) Quantity/Reel: 5000pcs/Reel

(2) Carrier tape dimensions



Type	A	B	C	D	E	F	L	W
2450-21	8.00±0.3	3.50±0.05	1.75±0.1	2.00±0.05	4.00±0.1	1.50±0.1	2.30±0.1	1.55±0.1

UNLESS OTHER SPECIFIED TOLERANCES ON :

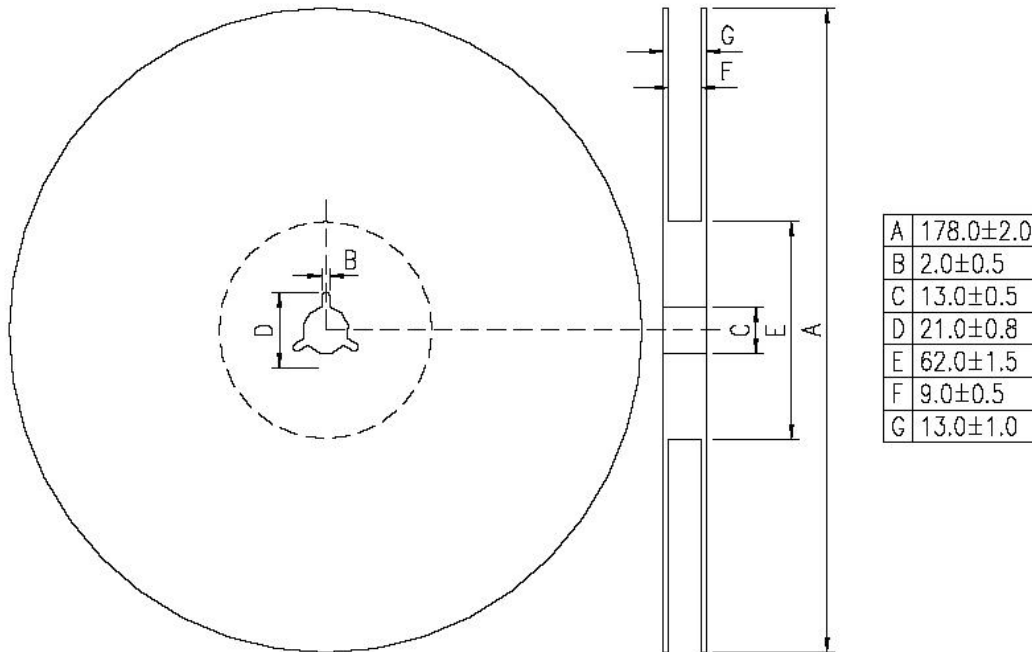
X=± X.X=± X.XX=
ANGLES = ± HOLEDIA = ±

SCALE : N/A	UNIT : mm
DRAWN BY : Sera	CHECKED BY: XD
DESIGNED BY: Sera	APPROVED BY: XD

TITLE : CHIP2450-21 Specification

DOCUMENT NO.	3216	SPEC REV.
		P1

(3) Taping reel dimensions



UNLESS OTHER SPECIFIED TOLERANCES ON :

X=± X.X=± X.XX=
ANGLES = ± **HOLEDIA** = ±

SCALE : N/A	UNIT : mm
DRAWN BY : Sera	CHECKED BY: XD
DESIGNED BY: Sera	APPROVED BY: XD

TITLE : CHIP2450-21 Specification

DOCUMENT NO.

3216

SPEC REV.
P1