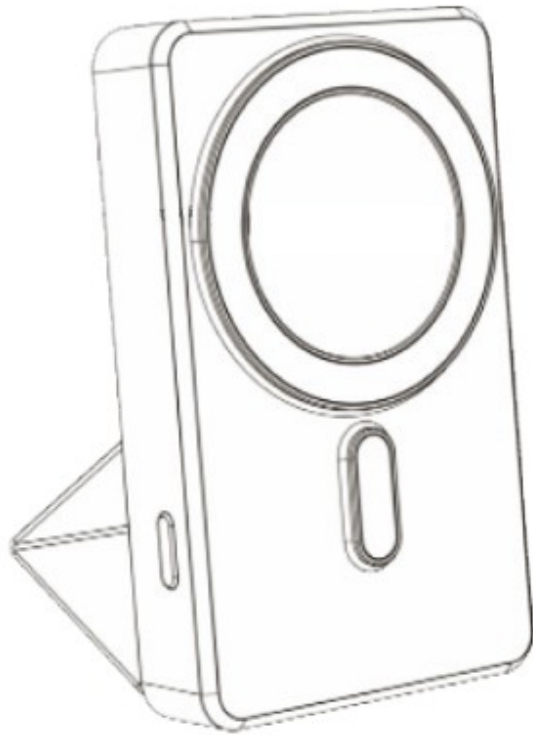


# 4 in 1 Travel Companion TWS Earphones with Power bank charging case

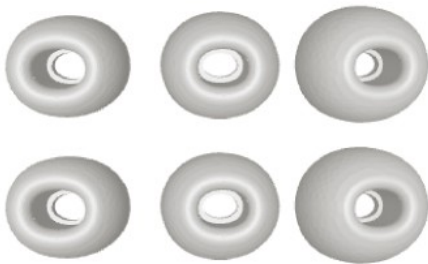


Quick Start Guide

# WHAT'S INCLUDED

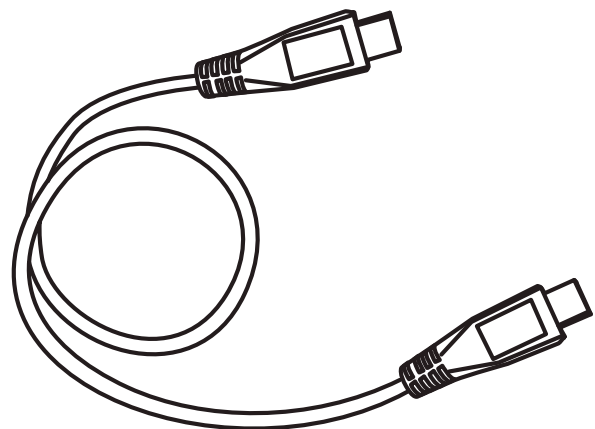


**Earphones and Power Bank Charging Case**



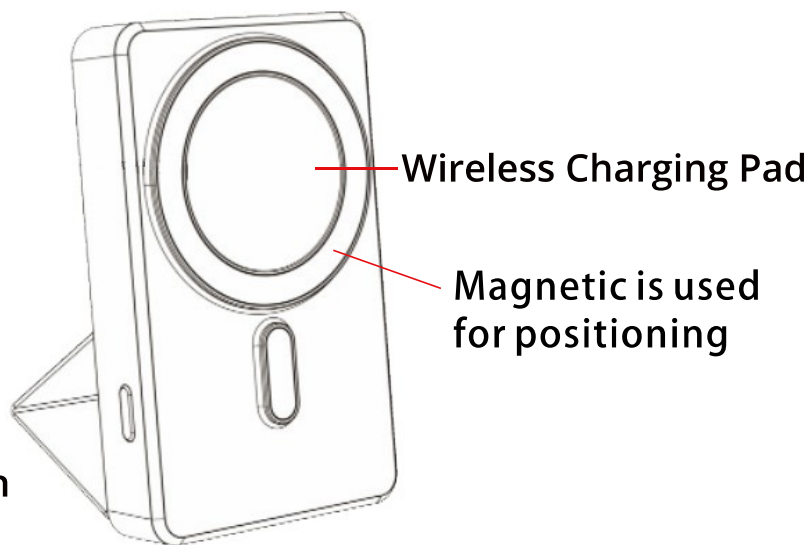
S M L

**Silicone Eartips**

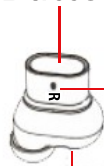


**USB-C to USB-C Cable**

# A CLOSER LOOK

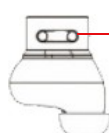


Multifunction Touch Button



Mic

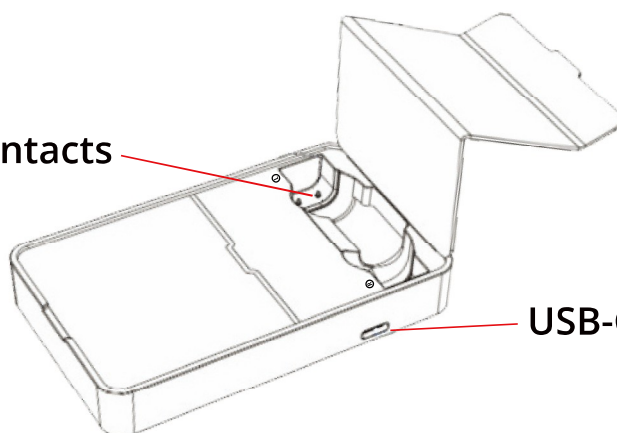
LED Indicator



● ● Charging Contacts

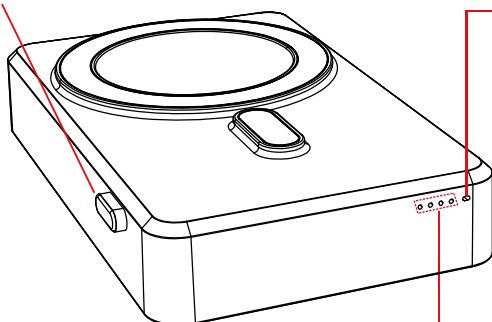
*'Note: To maintain reliable charging please clean the contacts from time to time with a cotton bud dipped in rubbing alcohol'*

Charging Contacts

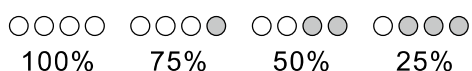


USB-C Charging Port

Power ON/  
OFF Button



Power ON /  
Battery Level Indicator: White



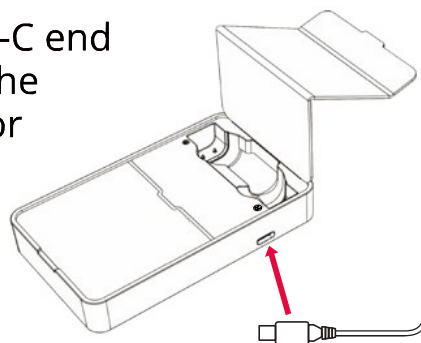
Wireless Charging Indicator :

1. Wireless charging the phone: LED turns Red
2. Fast charging the phone/  
Fast charging this Power bank: LED turns Green
3. Wireless and fast charging the phone: LED turns Red and Green
4. Wireless charging has foreign objects or poor charging: LED flash Red

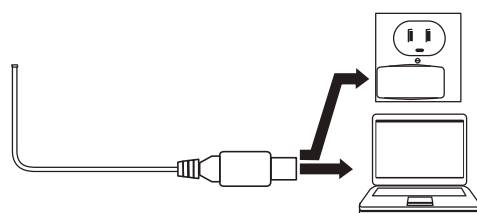
# CHARGING

## Charging the Power Bank Case

1. Insert the included charging cable's USB-C end into the charging port on the case. Insert the other end into a USB port on a computer or a suitable wall adapter. Leave to charge.



2. While charging the power bank's battery level indicator lights will light up as it charges. One light for 25% charged, two for 50%, three for 75%, and four for 100%.



## Charging Phones

You can charge your devices through two methods.

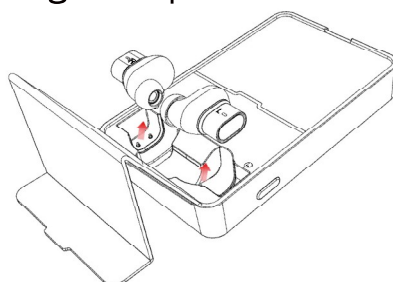
1. Wireless charging can be done with wireless charging compatible phones. Remove any phone case. Place the mobile device onto the charging pad. Position the device as close to the center as possible. While connected the power bank's indicator light will turn on.

2. Wired charging can be done for devices with a USB-C port. Use either a common USB-C to lightning cable or a USB-C to USB-C. Connect the two devices. The indicator light will turn on when successfully connected.

## Charging Earphones

Place the earphones into the charging dock. Make sure the charging contacts connect. While charging, the earphones LED will glow red every three seconds. When fully charged the earphones LED will glow blue every three seconds. After a minute it will no longer glow.

Note: The earphones will automatically charge when inserted. If they are not charging charge the power bank.



# POWERING ON/OFF

## **Turning ON/OFF the Power Bank Case**

To turn ON, press the power button or place a mobile phone with wireless charging capabilities on the charging pad to automatically boot up the power bank.

To turn OFF press the power button twice. The power bank will also automatically turn OFF after ten seconds of not being in use.

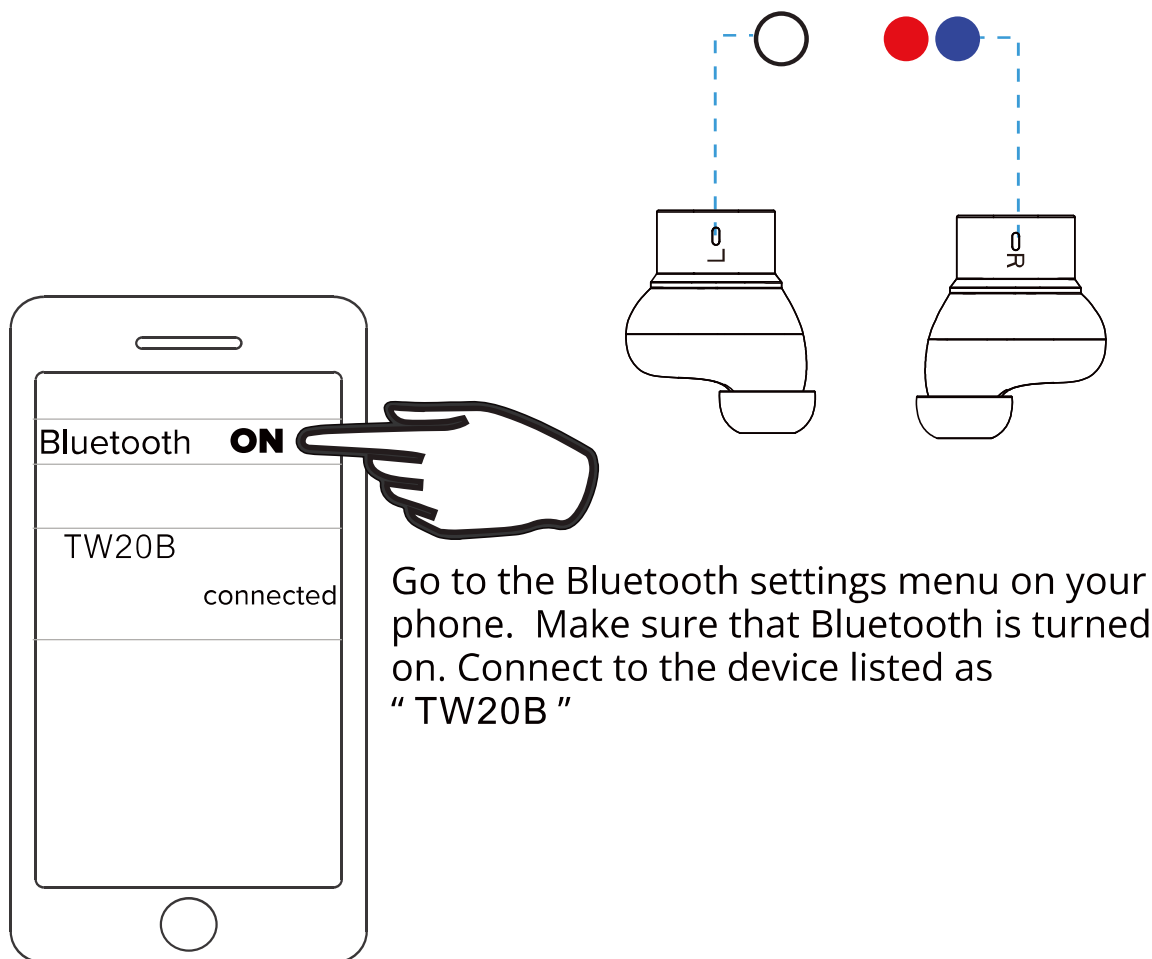
## **Turning ON/OFF the Earphones**

When first using your earphones, place them into the case. When you remove them from the case, they will automatically turn ON. When you place them back into the case, they will automatically turn OFF.

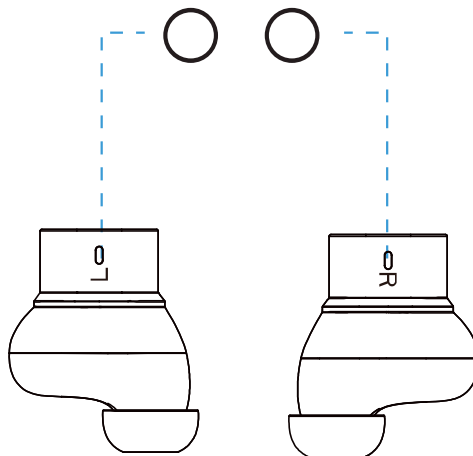
Note: If the LEDs on the earphones do not turn on when they are removed from the case, charge the case and try again. If the earphones do not pair together automatically, reset them.

# BLUETOOTH PAIRING

Remove your earphones from the case. They will power ON and go into pairing mode. The LEDs on the earphones will flash blue and red. When paired the primary earphone will continue flashing while the secondary earphone's LED will turn OFF.



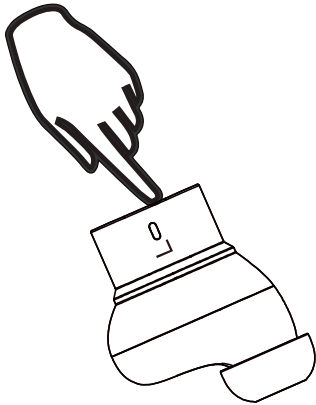
Both earphone's LED Indicators will turn OFF once Bluetooth is connected.



After setting up Bluetooth, the earphones will automatically re-connect to the device everytime you take them out of the charging case.

# USING YOUR EARPHONES

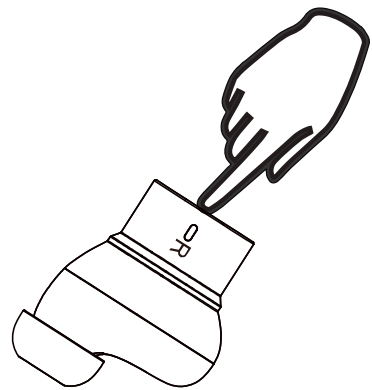
## LEFT EARPHONE



Decrease Volume: Press once  
Previous Selection: Press twice  
Voice Assistant: Press and hold for two seconds  
Low Latency on/off: Press three times  
Answer Call: Press once  
Decline Call: Press twice  
Hang Up Call: Press and hold for two seconds  
On Call Mute On/Off: Press twice

## RIGHT EARPHONE

Increase Volume: Press once  
Next Selection: Press twice  
Pause/Play: Press and hold for two seconds  
Low Latency on/off: Press three times  
Answer Call: Press once.  
Decline Call: Press twice.  
Hang Up Call: Press and hold for two seconds  
On Call Mute On/Off: Press twice



Note: Each earphone can be used alone while the other earphone is turned OFF as long as it is connected to Bluetooth.

# SPECIFICATIONS AND RESET

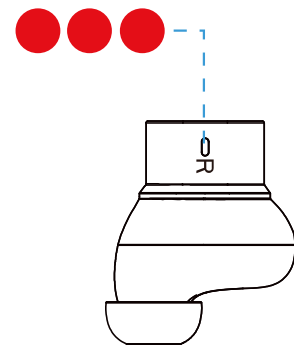
## Specifications

WIRELESS CHARGER OUTPUT: 10W

POWER BANK CHARGE CAPACITY: 10000mAh

## Manual Reset

1. Take both earbuds out of the case to power on.
2. Press and hold both earbuds touch buttons for five seconds to power off. The LEDs will flash Red three times.
3. Press and hold both earbuds touch buttons for 12 seconds to reset the earbuds. The LEDs will turn red for three seconds.
4. place the earbuds back into the case.
5. Follow the steps to turn ON the earbuds as before.





# SAFETY PRECAUTIONS

When using your 4-in-1 True Wireless Earphones, basic safety precautions should always be followed, including the following:

1. READ ALL INSTRUCTIONS BEFORE USING YOUR DEVICE.
2. Never expose your device, to high temperatures, extreme cold, high humidity or any moisture or water.
3. In order to avoid the risk of electric shock, never attempt to open your device or repair it without the assistance of certified professionals.
4. Your device is not to be used by children or the infirm without suitable adult supervision.
5. Always press all buttons carefully. Do not manhandle your device.
6. Do not use your device at temperatures under 32°F (0°C) or over 104°F (40°C).
7. Do not drop your device, throw it, or subject it to strong impacts or physical trauma.
8. If you detect any abnormalities when using your device, contact the manufacturer for support. In addition, do not continue to use your device if you detect any smoke or fire.
9. This product is not intended for commercial use.
10. Unplug your device when not in use for extended periods of time.
11. Please recycle or dispose of your device properly based on the laws and rules of your municipality. Contact local recycling facilities and/or the manufacturer of for further information.
12. Clean your device using a soft cloth or paper towel. Do not use harsh chemicals when cleaning your device, and never submerge your device in water.
13. Do not place any metallic items other than compatible smartphones on the charging surface.
14. Only place wireless compatible phones on the charging surface. The use of incompati- ble phones can cause your charger to overheat.
15. Wireless charging may cause interference to radio equipment and should not be installed near maritime safety communications equipment or other critical navigation or communication equipment operating between 0.45-30 MHz

## **Maintenance and Care**

-Use a soft cloth or paper towel to clean your earphones. Never use any harsh chemicals or detergents for cleaning. Make sure your earphones are dry before charging.

-When your earphones are not in use, they should be stored in a cool, dry place.

-Never tug or yank on a cable while it is connected to your charging case. Connect and disconnect cables as carefully as possible.

-Never expose your earphones to high temperatures, extreme cold.

-Please recycle or dispose of your earphones properly based on the laws and rules of your municipality. Contact local recycling facilities and/or the manufacturer of your earphones for further information.

## FCC STATEMENT

Changes or modifications not expressly approved by the party responsible for compliance could void the user's authority to operate the equipment.

This device complies with Part 15 of the FCC Rules. Operation is subject to the following two conditions: (1) this device may not cause harmful interference, and (2) this device must accept any interference received, including interference that may cause undesired operation.

This equipment has been tested and found to comply with the limits for a Class B digital device, pursuant to Part 15 of the FCC Rules. These limits are designed to provide reasonable protection against harmful interference in a residential installation. This equipment generates, uses and can radiate radio frequency energy and, if not installed and used in accordance with the instructions, may cause harmful interference to radio communications. However, there is no guarantee that interference will not occur in a particular installation. If this equipment does cause harmful interference to radio or television reception, which can be determined by turning the equipment off and on, the user is encouraged to try to correct the interference by one or more of the following measures:

- Reorient or relocate the receiving antenna.
- Increase the separation between the equipment and receiver.
- Connect the equipment into an outlet on a circuit different from that to which the receiver is connected.
- Consult the dealer or an experienced radio/TV technician for help.