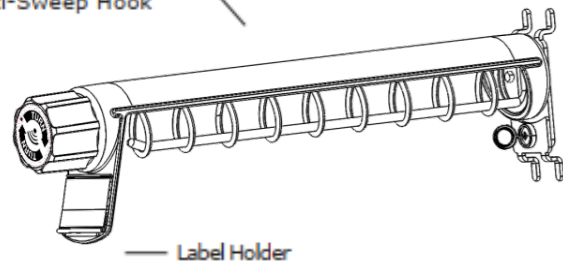


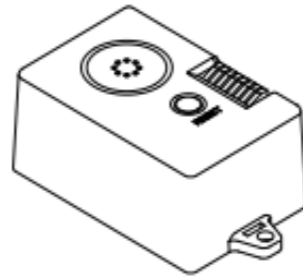
Sonar SASH and Receiver Operations

Assembly Parts

SONR Security Anti-Sweep Hook



Receiver



MODES

Sonar system can be purchased in 3 different frequencies to operate independently in the same area.

The hook has a two position switch on the bottom side setting A and B. The Receiver has corresponding switch A and B on the side.

Operation modes for R-SONR-REC-XA and R-SONR-REC-PXA Audio Beep and Alarm

B Mode

The hook will signal (Beep) once every time the label lid is lifted up. If the label remains up a warning beep will sound once every 2 seconds. The receiver switch should be set to B. The receiver will mimic the hook remotely.

A Mode

The hook will alarm if lid opens and closes more than 4 times in 10 seconds. If the label lid is left open for longer than 6 seconds the hook will also alarm for 5 seconds. The Receiver will need to be set in the A mode to correspond with the hook's audio remotely. The receiver has a reset button on the top to turn off the audio, in alarm mode, but the hook will continue to alarm for 5 seconds.

Operation modes for R-SONR-REC-PXA with auxiliary ports

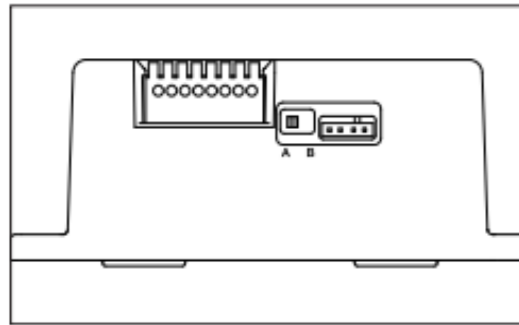
A Mode

The receiver's audio in A mode will mimic the hook beep and alarm. The output terminals will also activate when in the alarm sequence. The reset button will turn the alarm off on the receiver only. The hook will continue to alarm for 5 seconds.

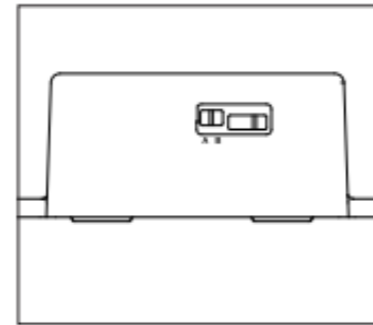
B Mode

The receiver audio in B mode will only mimic the hook beep with no alarm sequence at the receiver. The auxiliary ports will still activate when receiving an alarm signal from the hook alarm.

Auxiliary terminals R-SONR-REC-PXA

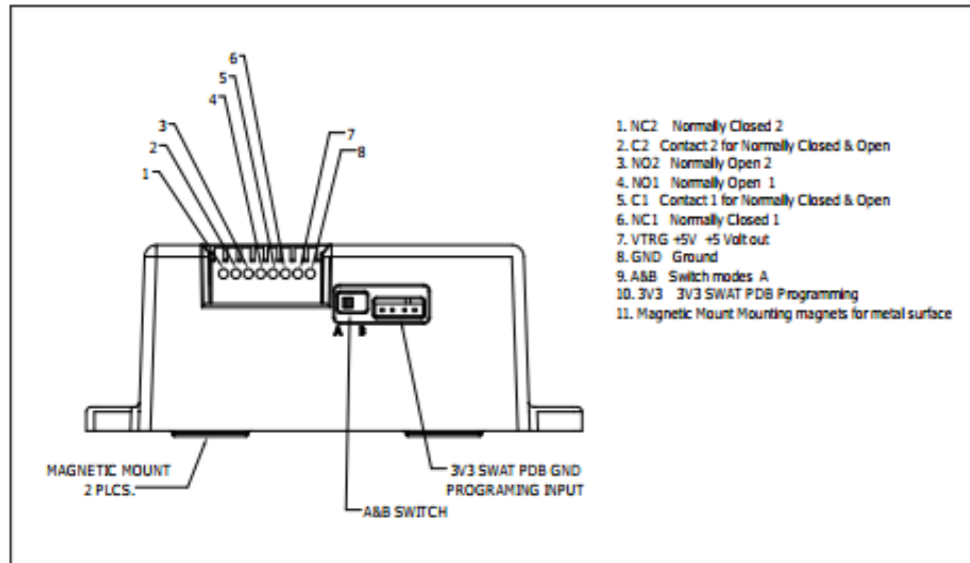


No auxiliary terminals R-SONR-REC-XA



Illustrated above is showing a receiver with and without wire terminals. Both the Hook and Receiver run on batteries, which are included. Hook uses a CR2430 and the receiver uses 3 AAA batteries

R-SONR-REC-PXA System Connections



FCC Statement

This equipment has been tested and found to comply with the limits for a Class B digital device, pursuant to part 15 of the FCC rules. These limits are designed to provide reasonable protection against harmful interference in a residential installation. This equipment generates, uses and can radiate radio frequency energy and, if not installed and used in accordance with the instructions, may cause harmful interference to radio communications. However, there is no guarantee that interference will not occur in a particular installation. If this equipment does cause harmful interference to radio or television reception, which can be determined by turning the equipment off and on, the user is encouraged to try to correct the interference by one or more of the following measures:

- Reorient or relocate the receiving antenna.
- Increase the separation between the equipment and receiver.
- Connect the equipment into an outlet on a circuit different from that to which the receiver is connected.
- Consult the dealer or an experienced radio/TV technician for help.

To assure continued compliance, any changes or modifications not expressly approved by the party.

Responsible for compliance could void the user's authority to operate this equipment. (Example- use only shielded interface cables when connecting to computer or peripheral devices).

This equipment complies with Part 15 of the FCC Rules. Operation is subject to the following two conditions:

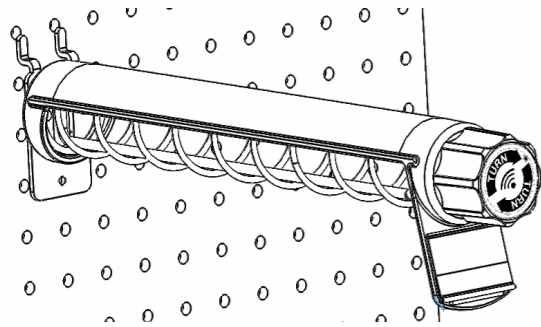
- (1) This device may not cause harmful interference, and
- (2) This device must accept any interference received, including interference that may cause undesired operation.

RF warning statement:

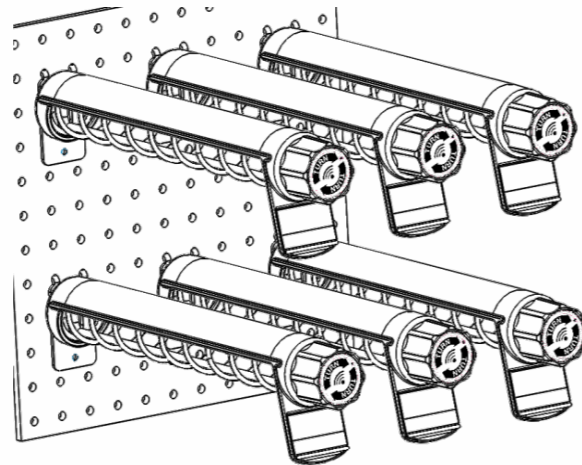
The device has been evaluated to meet general RF exposure requirement. The device can be used in portable exposure condition without restriction.

INSTALL

- ① Insert hooks into pegboard of desired location without lower metal lock plate

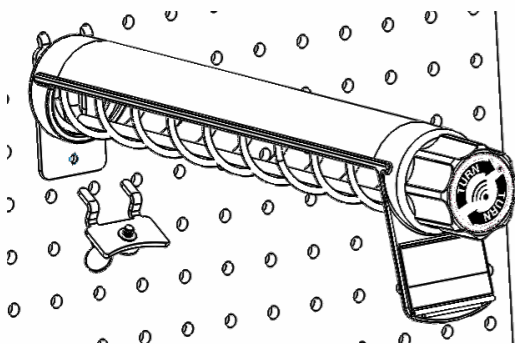


- ② Allow enough space between the displays so that product does not touch the surface below or obstruct other merchandise.

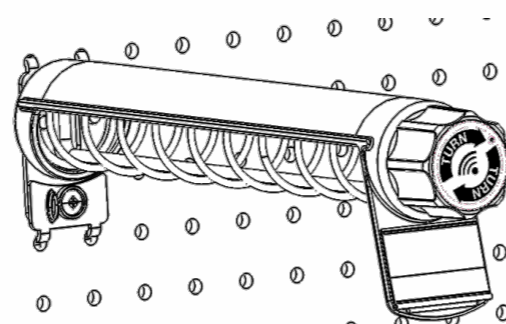


Lock Down

- ③ Insert the Lock Down Plate into the holes directly below the unit. Rotate up into place, until the screw inserts into back plate.

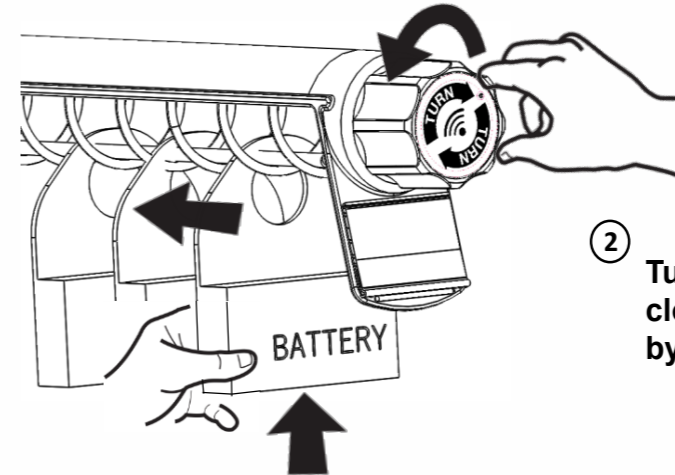


- ④ Tighten screw with a Phillips Head Screwdriver. Close Screw Cover Cap when finished.



LOADING MECHANISE

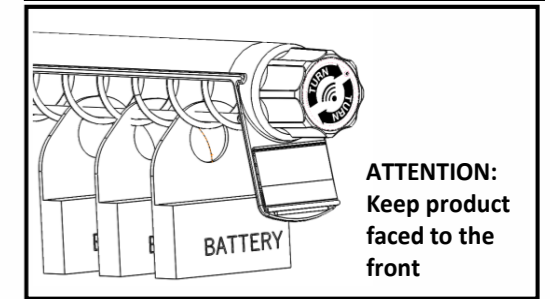
- ⑤ Insert the merchandise by following the ramp upwards until product stops, then turn the knob counter clockwise until product catches hook.



- ① Place Merchandise in the hanging position

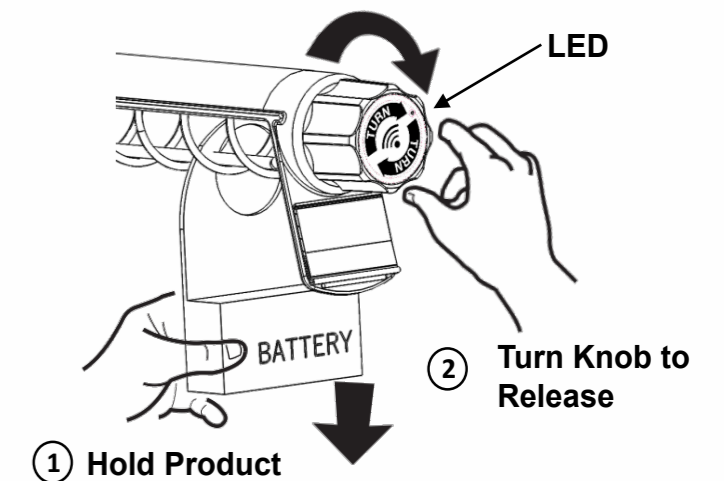
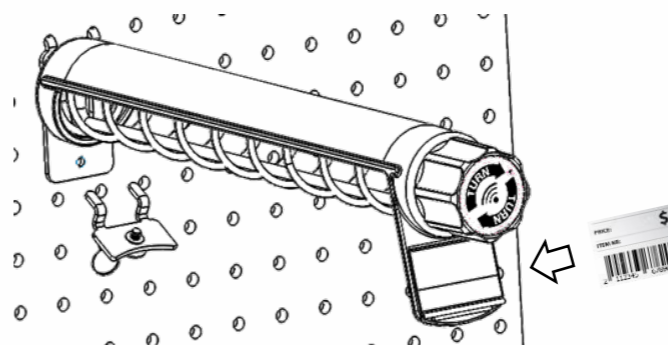
- ② Turn Knob counter clockwise until supported by the wire hook

WARNING: Do not overturn coil. Product will go all the way off the rear of the coil and become inaccessible.



DISPENSING MECHANISE

- ⑥ Open window and insert Price Label.



- ③ 1~3 Dispenses in less than 30 seconds trigger wireless notification to Siffron Echo Box
> 3 Dispenses in less than 30 seconds result in full alarm at ECHO Box