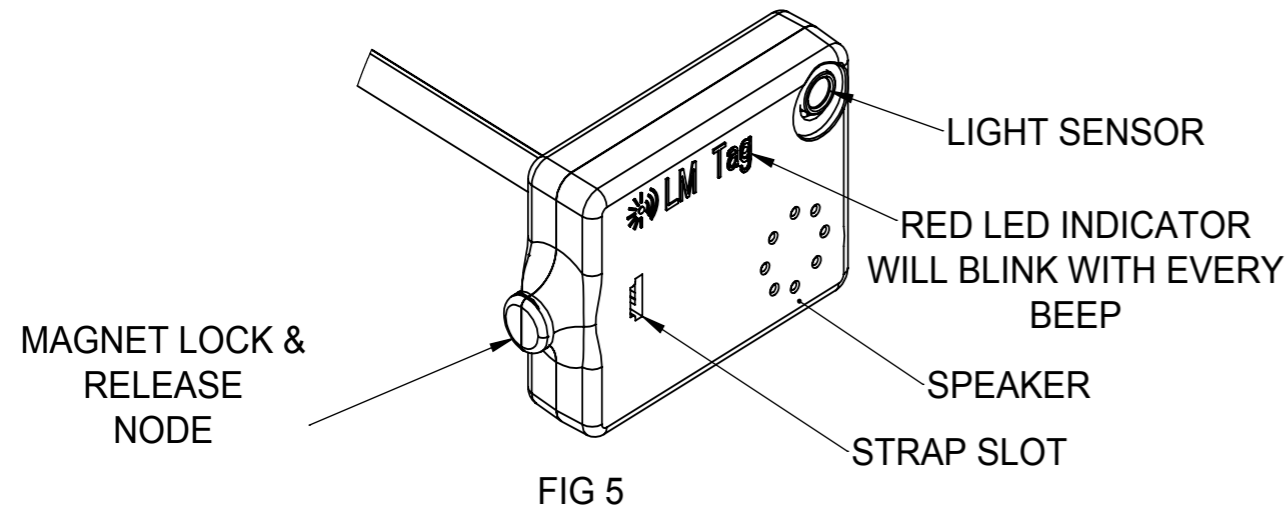


FUNCTIONAL FEATURES ON THE TAG



OPERATIONAL INSTRUCTION

1. Once the Strap is inserted through the body the tag is activated (fig 2,3). The unit will beep once in 10 seconds to indicate the unit is live.
2. Tag will be dormant for 3 minutes, after which light and motion sensors are silently activated.
2. If tag is in a low light situation with movement it will give 10 worrying beeps then alarm.
3. Tag will also trip door gate alarms. Tag come as RF or AM.

DEACTIVATE TAG

6. Deactivate place magnet over NODE area (fig 5) Tag will beep once indicating ready for removal. The strap will release, remove strap from strap slot within 10 seconds.
7. If strap is not removed from strap slot. Tag will reactivate, go to line line 1.

SONR RECEIVER

8. LM Loop Tag can also be used with SONR Receiver for remote alarming. See SONR instructions for more detail.

FCC Statement

This equipment has been tested and found to comply with the limits for a Class B digital device, pursuant to part 15 of the FCC rules. These limits are designed to provide reasonable protection against harmful interference in a residential installation. This equipment generates, uses and can radiate radio frequency energy and, if not installed and used in accordance with the instructions, may cause harmful interference to radio communications. However, there is no guarantee that interference will not occur in a particular installation. If this equipment does cause harmful interference to radio or television reception, which can be determined by turning the equipment off and on, the user is encouraged to try to correct the interference by one or more of the following measures:

- Reorient or relocate the receiving antenna.
- Increase the separation between the equipment and receiver.
- Connect the equipment into an outlet on a circuit different from that to which the receiver is connected.
- Consult the dealer or an experienced radio/TV technician for help.

To assure continued compliance, any changes or modifications not expressly approved by the party.

Responsible for compliance could void the user's authority to operate this equipment. (Example- use only shielded interface cables when connecting to computer or peripheral devices).

This equipment complies with Part 15 of the FCC Rules. Operation is subject to the following two conditions:

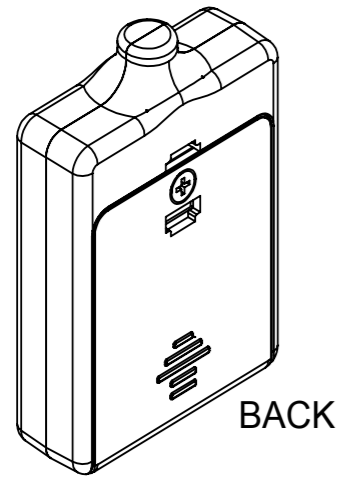
- (1) This device may not cause harmful interference, and
- (2) This device must accept any interference received, including interference that may cause undesired operation.

RF warning statement:

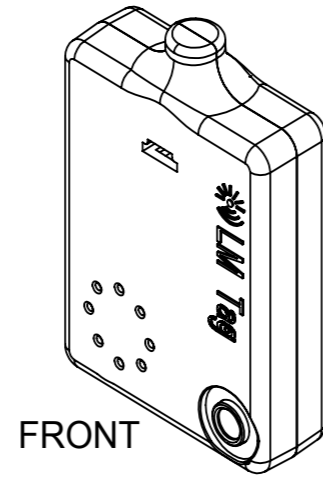
The device has been evaluated to meet general RF exposure requirement. The device can be used in portable exposure condition without restriction.

DATE: 02/11/20

**LM LOOP TAG
9800002143**

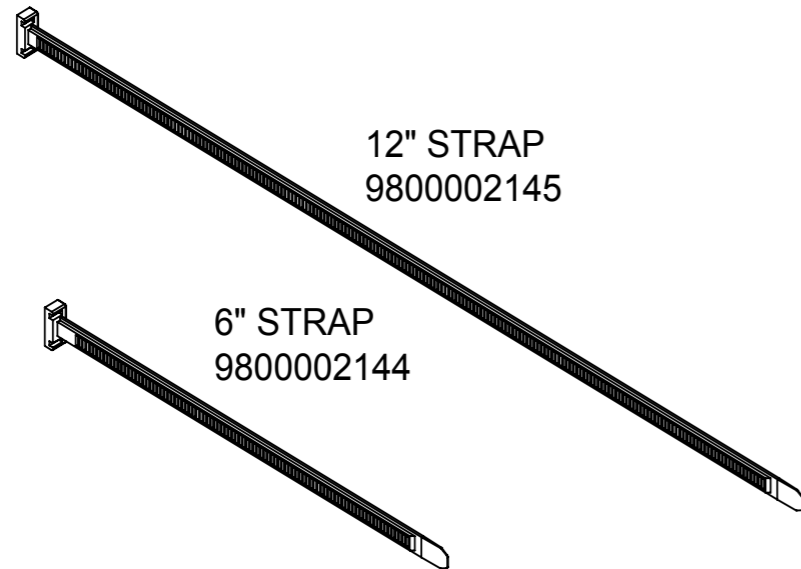


BACK



FRONT

CABLE STRAPS

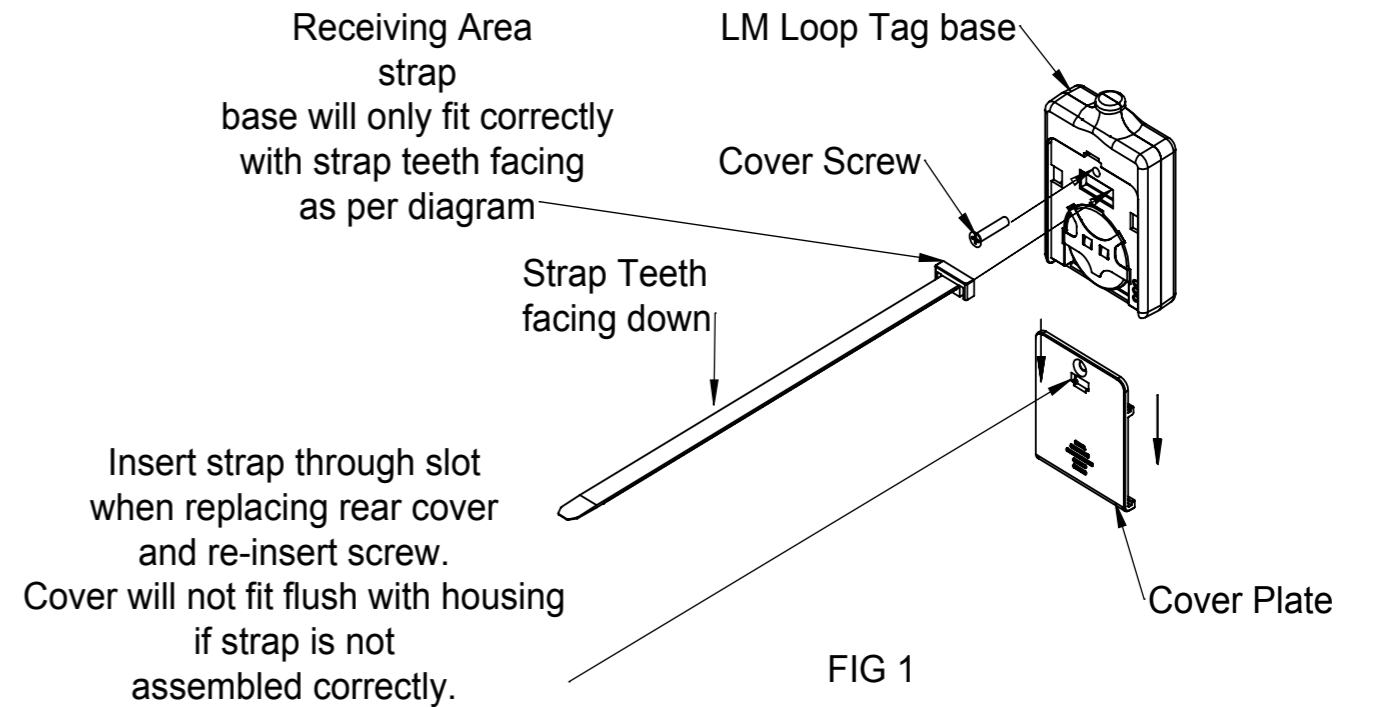


12" STRAP
9800002145

6" STRAP
9800002144

DATE: 02/11/20

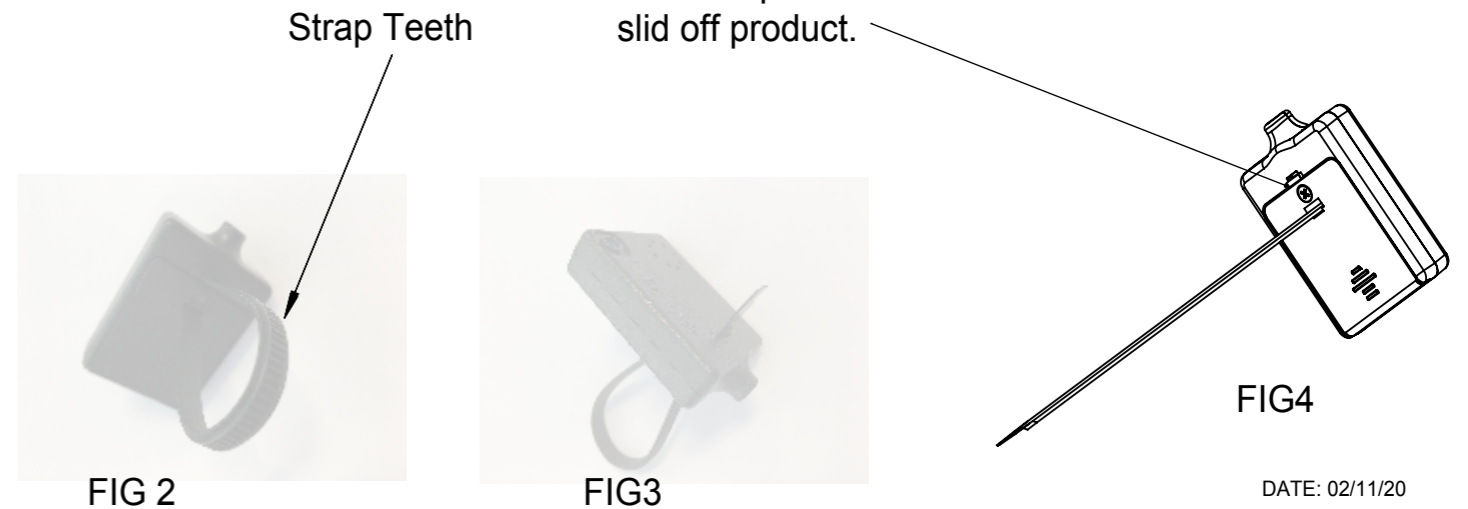
INSTALLING CABLE STRAP



INSTALLING STRAP TO PRODUCT

Insert strap through slot and pull securely around product LM Loop Tag is protecting.

Note:
When using this Tag make sure the strap can't be slid off product.



DATE: 02/11/20