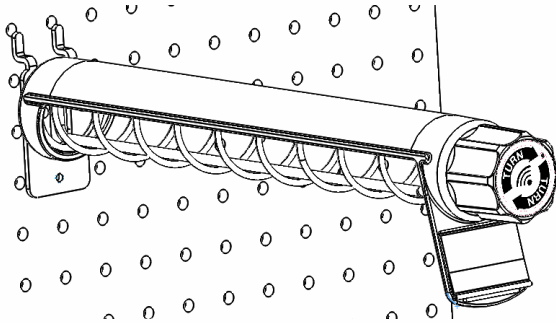
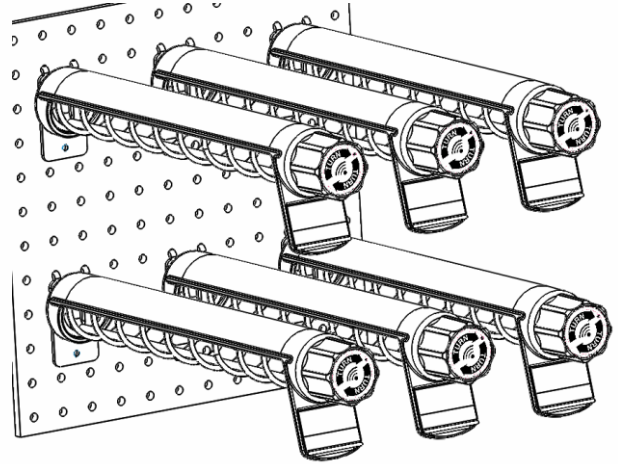


## INSTALL

- ① Insert hooks into pegboard of desired location without lower metal lock plate

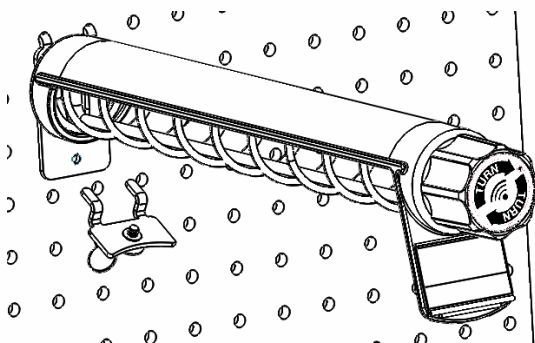


- ② Allow enough space between the displays so that product does not touch the surface below or obstruct other merchandise.

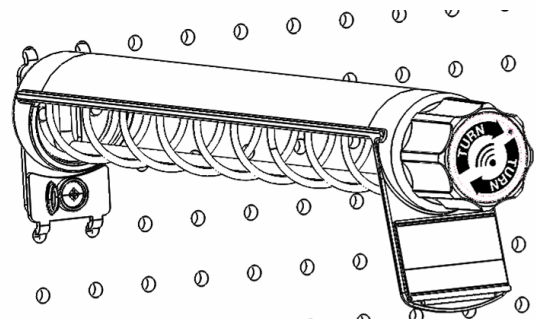


## Lock Down

- ③ Insert the Lock Down Plate into the holes directly below the unit. Rotate up into place, until the screw inserts into back plate.

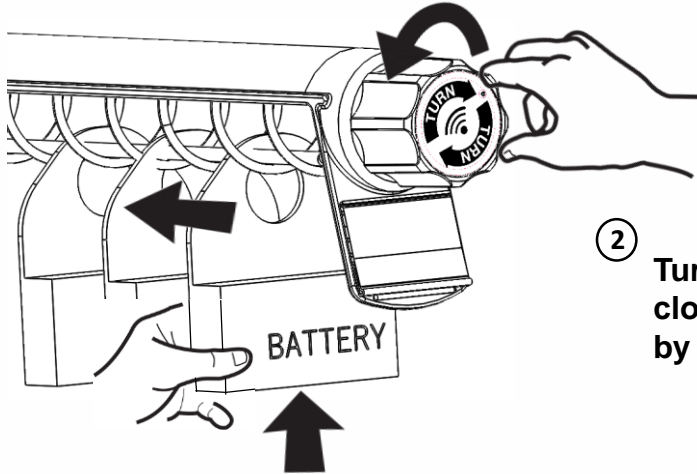


- ④ Tighten screw with a Phillips Head Screwdriver. Close **Screw Cover Cap** when finished.



## LOADING MECHANISE

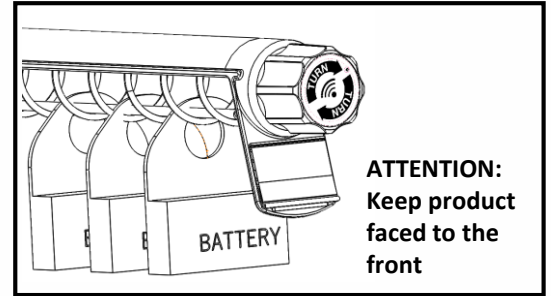
- ⑤ Insert the merchandise by following the ramp upwards until product stops, then turn the knob counter clockwise until product catches hook.



- ① Place Merchandise in the hanging position

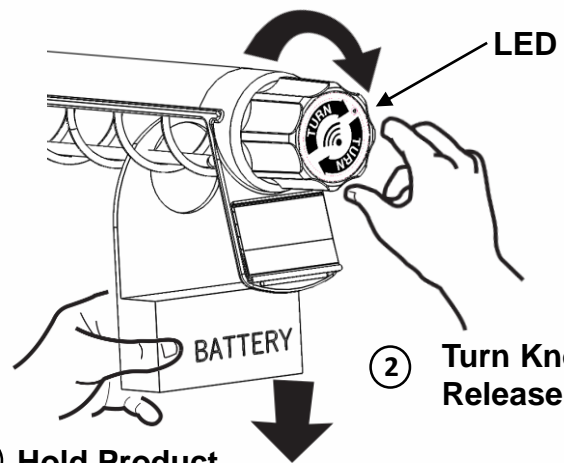
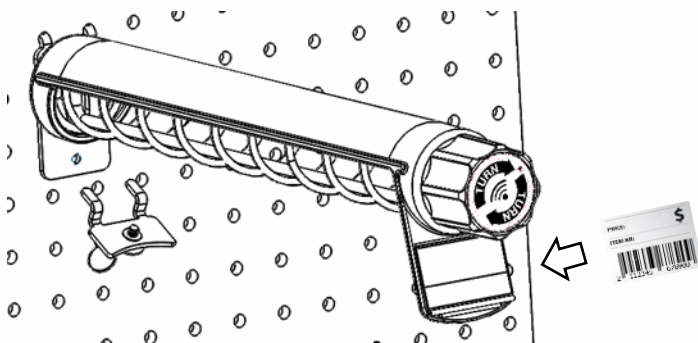
- ② Turn Knob counter clockwise until supported by the wire hook

**WARNING: Do not overturn coil. Product will go all the way off the rear of the coil and become inaccessible.**



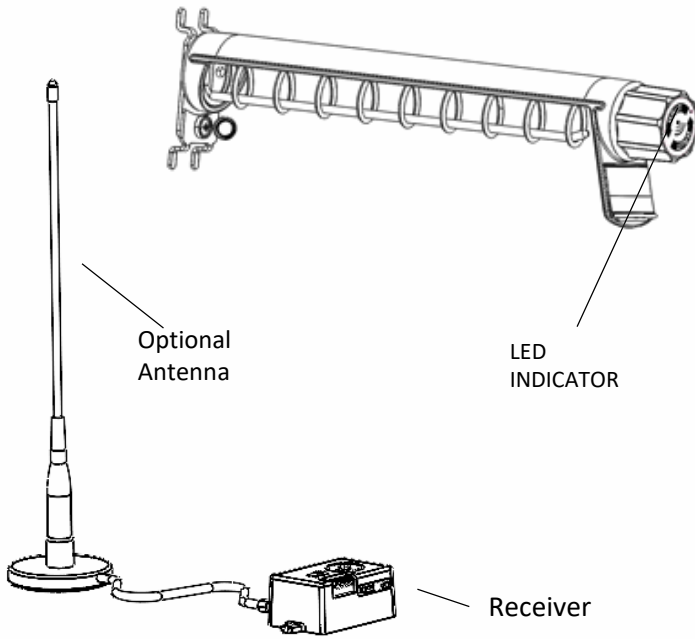
## DISPENSING MECHANISE

- ⑥ Open window and insert Price Label.



- ① Hold Product
- ② Turn Knob to Release

- ③ 1~3 Dispenses in less than 10 seconds trigger wireless notification to Siffron Echo Box  
> 3 Dispenses in less than 10 seconds result in full alarm at ECHO Box

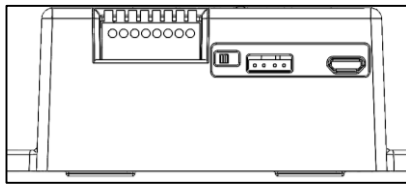


**NOTE:** OPERATION GUIDE DOES NOT INCLUDE INITIAL HOOK ACTIVATION/COMMUNICATION INSTRUCTION, WHICH IS NEEDED PRIOR TO LIVE USE.

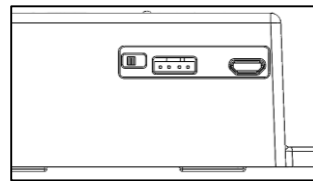
### HOOK OPERATION

DISPENSING WILL ACTIVATE AN LED FLASH AND SILENT RF SIGNAL TO THE ECHO BOX ONCE, EVERY TIME THE MERCHANDISE IS DISPENSED. IF THE LED/RF SIGNAL IS TRIGGERED 4 TIMES WITHIN A 10 SECOND PERIOD, THE HOOK WILL SEND A SILENT ALARM (RF SIGNAL) TO THE ECHO BOX, AND FLASH THE LED FOR 5 SECONDS ON THE HOOK. THE ALARM IS INOPERATIVE WHEN MOVED BACKWARDS FOR STOCKING, TO PREVENT FALSE ALARMS.

#### Auxiliary terminals R-SONR-REC-PXA



#### No auxiliary terminals R-SONR-REC-XA

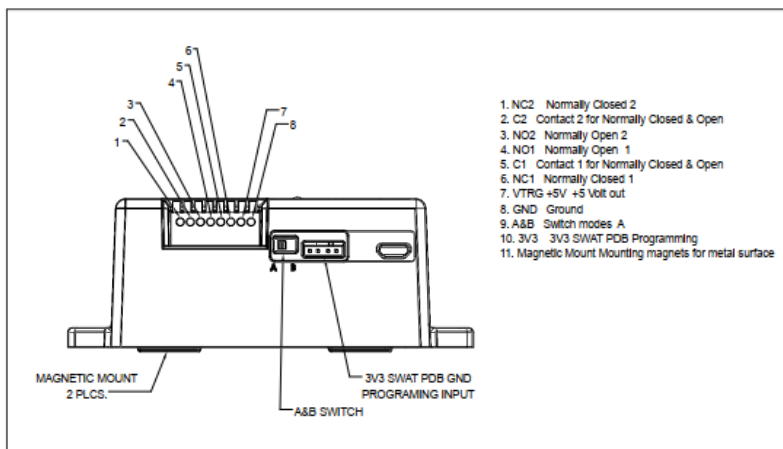


Illustrated above is showing a receiver with and without wire terminals.

Both the Hook and Receiver run on batteries, which are included.

Hook uses a CR2430 and the receiver uses 3 AAA batteries

#### R-SONR-REC-PXA System Connections



### OPERATION MODES FOR THE ECHO BOXES

THE ECHO BOX (RECEIVER) 'S AUDIO IN "A" MODE WILL PROVIDE AN AUDIBLE BEEP WHEN RECEIVING A SIGNAL FROM THE HOOK; INCLUDING A 5 SECOND ALARM SEQUENCE WHEN THE HOOK ACTIVATES 4 TIMES WITHIN 10 SECONDS. THE OUTPUT TERMINALS WILL ALSO ACTIVATE WHEN IN THE ALARM SEQUENCE. THE RESET BUTTON WILL TURN THE ALARM OFF ON THE RECEIVER-ONLY, AND DOES NOT DEACTIVATE THE HOOK. "B" MODE: THE RECEIVER AUDIO WILL RESPOND TO THE HOOK THE SAME AS WHEN IN THE "A" MODE, EXCLUDING ANY OUTPUT THROUGH THE AUXILIARY TERMINALS, DURING THE ALARMING PHASE.

**R-SONR-REC-XA RECEIVER WILL ONLY ALARM AND BEEP.**

**R-SONR-REC-PXA RECEIVER WILL ALARM AND BEEP AND SEND SIGNALS TO THE AUXILLARY TERMINALS.**

## FCC Statement

This equipment has been tested and found to comply with the limits for a Class B digital device, pursuant to part 15 of the FCC Rules. These limits are designed to provide reasonable protection against harmful interference in a residential installation. This equipment generates, uses and can radiate radio frequency energy and, if not installed and used in accordance with the instructions, may cause harmful interference to radio communications. However, there is no guarantee that interference will not occur in a particular installation. If this equipment does cause harmful interference to radio or television reception, which can be determined by turning the equipment off and on, the user is encouraged to try to correct the interference by one or more of the following measures:

- Reorient or relocate the receiving antenna.
- Increase the separation between the equipment and receiver.
- Connect the equipment into an outlet on a circuit different from that to which the receiver is connected.
- Consult the dealer or an experienced radio/TV technician for help.

Caution: Any changes or modifications to this device not explicitly approved by manufacturer could void your authority to operate this equipment.

This device complies with part 15 of the FCC Rules. Operation is subject to the following two conditions: (1) This device may not cause harmful interference, and (2) this device must accept any interference received, including interference that may cause undesired operation.

## RF Exposure Information

The device has been evaluated to meet general RF exposure requirement. The device can be used in portable exposure condition without restriction.