

封面

# Smart Mobile Terminal

## INSTRUCTIONS



### Please read the below information before using your device:

Since you take the device out of package, the battery is off.

When using the device for the first time, please perform a full charge and discharge.

In order to ensure the charging effect of the device, please use the original power adapter and USB data cable.

The device is built with removable battery and back cover, please remove the battery before turn power off.

Do not open or disassemble the device or attempt to repair it or replace any components, if you attempt open your device, you risk damaging the device and such damage isn't covered by the limited warranty on your device.

The pre-made software of the product includes settings, gallery, hardware testing and file management. The detailed information of the software can be queried through "Settings-Applications and Notifications-View All".

For altitude 5km below use ONLY.

Note: There is a danger of explosion when replacing the battery with the wrong type. Please be sure to dispose of the used battery according to the instructions on the battery.

## 1 ACCESSORIES



The Device



Instructions

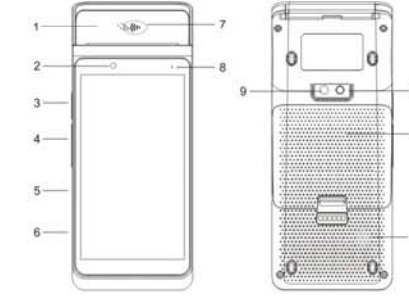


Power Adapter



USB Charge Cable

## 2 DEVICE KNOWLEDGE

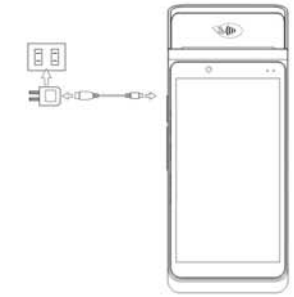


- 1. Printer Case
- 2. Front-Facing Camera (Optional)
- 3. Power Button
- 4. Volume Button
- 5. Type-C USB OTG
- 6. Microphone
- 7. NFC Reader
- 8. Indicator Lamp
- 9. Rear Camera
- 10. Flashlight
- 11. Battery
- 12. Speaker

## 3 CHARGE THE BATTERY

Note: It is recommended that charge the battery before starting to use the device.

1. Insert the Type-C connector of the USB data cable into the Type-C interface of the device.
2. Insert the other end of the USB data cable into the port at the end of the power adapter.
3. Insert the power plug of the power adapter into the power socket to start charging the battery.



## WARRANTY TERMS

Name of Product: \_\_\_\_\_

Model of Product: \_\_\_\_\_

### Warranty Terms & Conditions:

1. We will provide you with excellent after-sales service.
2. Damage such as a user due to human factors, the company's repair charge/maintenance fees
3. Please keep this card, the warranty will be based on it.

## CERTIFICATE OF QUALITY

The product has been tested and proved to be qualified for delivery.

Inspector: \_\_\_\_\_

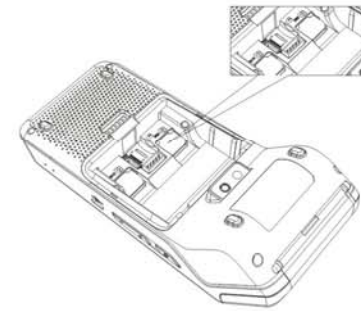
Inspection Date: \_\_\_\_\_



## 4 INSTALL SIM/SAM/TF CARD

Note: Please make sure that the power of the device is turned off.

1. Lay the device flat with the reverse side facing up.
2. Open the back cover and take out the battery.
3. Please insert the SIM/SAM/TF card in the direction shown in the figure.
4. Install the battery and close the back cover.



## 5 INSTALL PRINTER PAPER

This device supports 58mm thermal paper with the specifications of 57mm±0.5mm\*40mm.

1. Please open the paper container with the uncovering handle, please do not force open the paper container to avoid print hard gear wear;
2. Feed the paper correctly into the paper container in the direction as shown and pull some paper outside the cutter;
3. Close the cover of the paper container to finish printing paper feeding.



## 6 OPERATION

### Touch The Contactless Card

Please use the card near the contactless card reader area.



**Copyright:**  
The author of this manual reserves all copyright exclusive rights in accordance with the Copyright Law. Without the prior consent of the author, copying, additions, deletions, excerpts, reprints or reprints of part or all of this manual are not allowed. The content of this manual only explains the use of the products manufactured by the author. Regarding the contents of this manual, the author does not bear any express or implied guarantee or guarantee responsibility.

**Statements**  
The company does not assume responsibility for the following actions: Damages caused by use and maintenance without complying with the conditions specified in this guide; The company will not assume any responsibilities for the damages or problems caused by optional items or consumables (rather than the initial products or approved products of the company). The customer is not entitled to change or modify the product without our consent. The product's operating system supports official system updates, but if you change the operating system into a third part ROM system or alter the system files by system cracking, it may cause system instability and security risks and threats.

**Disclaimer**  
As a result of product upgrading, some details in this document may not match the product, and the actual product shall govern. The company reserves the right of interpretation of this document. The company also reserves the right to alter this specification without prior notice.

封底



材质: 100g书写纸; 规格: 68\*110mm

物料编码: 1040600746; 物料名称: 智能POS终端S30 说明书/英文通用/XY

物料编码: 1040600747; 物料名称: 智能POS终端S30 说明书/英文通用/HY

#### FCC Warning Statement

Changes or modifications not expressly approved by the party responsible for compliance could void the user's authority to operate the equipment. This equipment has been tested and found to comply with the limits for a Class B digital device, pursuant to Part 15 of the FCC Rules. These limits are designed to provide reasonable protection against harmful interference in a residential installation. This equipment generates uses and can radiate radio frequency energy and, if not installed and used in accordance with the instructions, may cause harmful interference to radio communications. However, there is no guarantee that interference will not occur in a particular installation. If this equipment does cause harmful interference to radio or television reception, which can be determined by turning the equipment off and on, the user is encouraged to try to correct the interference by one or more of the following measures:

- - Reorient or relocate the receiving antenna.
- - Increase the separation between the equipment and receiver.
- - Connect the equipment into an outlet on a circuit different from that to which the receiver is connected.
- - Consult the dealer or an experienced radio/TV technician for help.

This device complies with part 15 of the FCC Rules. Operation is subject to the following two conditions: (1) This device may not cause harmful interference, and (2) this device must accept any interference received, including interference that may cause undesired operation.

#### Specific Absorption Rate (SAR) information:

This smart phone meets the government's requirements for exposure to radio waves. The guidelines are based on standards that were developed by independent scientific organizations through periodic and thorough evaluation of scientific studies. The standards include a substantial

safety margin designed to assure the safety of all persons regardless of age or health.

This equipment should be installed and operated with minimum distance of 5mm the radiator your body.