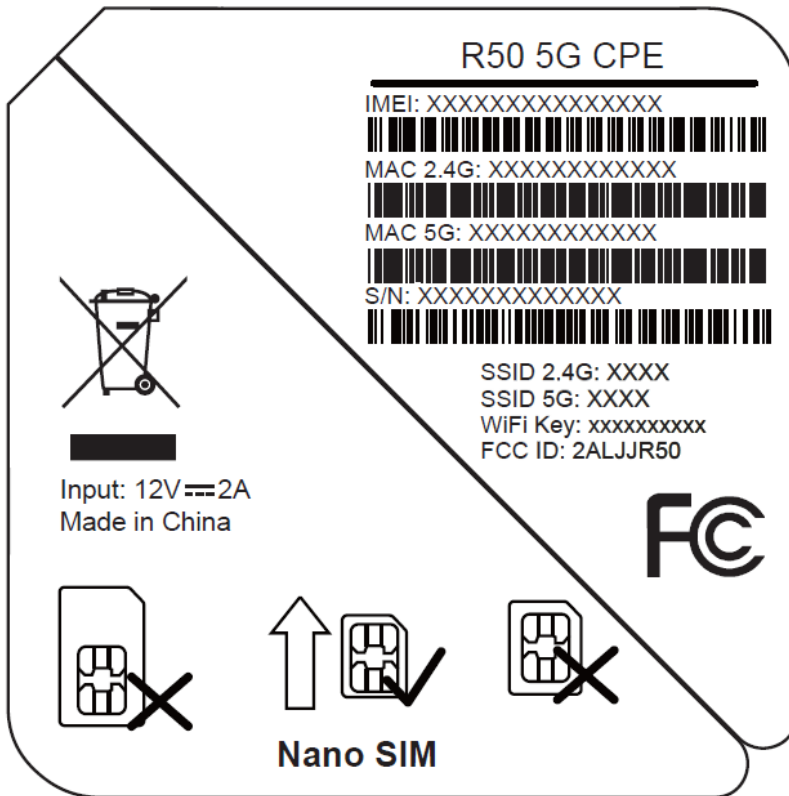


1. Label



2. Label location(at the bottom)

