

# Introduction

This product is a high-end and high-definition sports camcorder specially launched for outdoor sports market. The product has industry-leading digital video recording, audio recording, WiFi, battery detachable functions etc. It is your best video recording equipment for diving, surfing, outdoor sports, home security, deep waterproof and other activities which could meet your recording at anytime and anywhere, in addition, this product has a number of patents.

## Operational Precautions

1. This product is a high-precision product, please do not drop or hit it.
2. Do not place the camera close to the objects with strong magnetic such as magnets and motors. avoid placing the product near objects that emit strong radio waves. Strong magnetic fields may cause malfunctions or damage images and sound.
3. Do not place the camcorder in a location with high temperature or direct sunlight.
4. Please select the brand Micro SD card (the speed requirement of the card is CLASS 10 or above), ordinary card can not be guaranteed to work properly.
5. Do not store the Micro SD card in or near strong magnetic fields to avoid losing the data stored in the Micro SD card.
6. If there is overheating, smoking or odor during charging, please unplug the power immediately and stop charging to avoid fire.

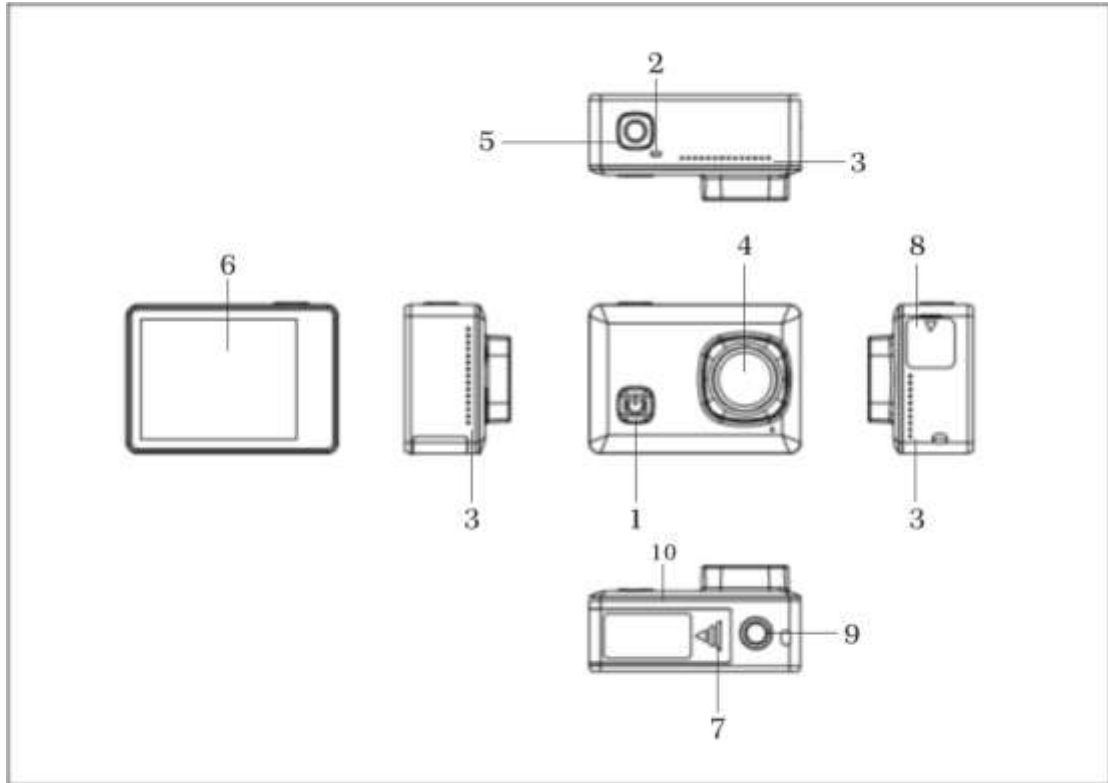
7. Keep the product out the reach of children during charging. .The power cord may cause children to accidentally suffocate or electric shock.
8. Place the product in a cool, dry and dust-free place.

## Product Features

1. Equipped with special waterproof shell, you can take wonderful videos and photos at a depth of 30 meters underwater.
2. Brand new design super high-definition 2.0 inch 2.5D glass retina full touch screen, display and replay the wonderful videos and photos.
3. 1350mAh detachable battery for easy replacement with long working time.
4. 7 layers A+ grade 170 degree glass lens with high precision.
5. Maximum support 24 million pixels.
6. HDMI high-definition output function
7. Support up to 128G memory card.
8. Support Multiple video recording resolution at 4K/ 2.7k/ 1080P/ 720P/ VGA.
9. MP4 format video recording, H.264/H.265 compression format
10. Multiple recording modes for choice, such as Continuous shooting, Time-lapse recording, slow recording.
11. 3-axis gyroscope anti-shake function.
12. Super WiFi ,App connected function to share wonderful pictures and videos in real time.

13. Dual-channel stereo sound quality, listen to the clearest sound.

## Product Structure



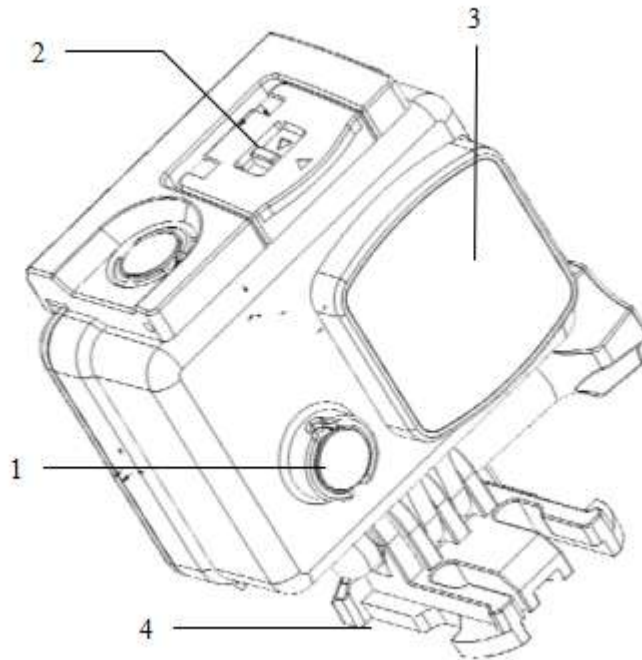
1.Power Key    2. Indicator Light    3. Heat Dissipation Hole    4. Lens

5.Ok Key    6. 2.0 inch 2.5D Retina Touch Screen    7. Battery Cover    8 . USB/HDMI port

9. Built-in 1/4" Thread for Tripod Mount

10. Micro SD card Slot ( open the battery cover firstly )

# Waterproof Shell Diagram



1. Power Key

2. Switch of waterproof case

3. Lens

4. Bracket

# Partial installation diagram

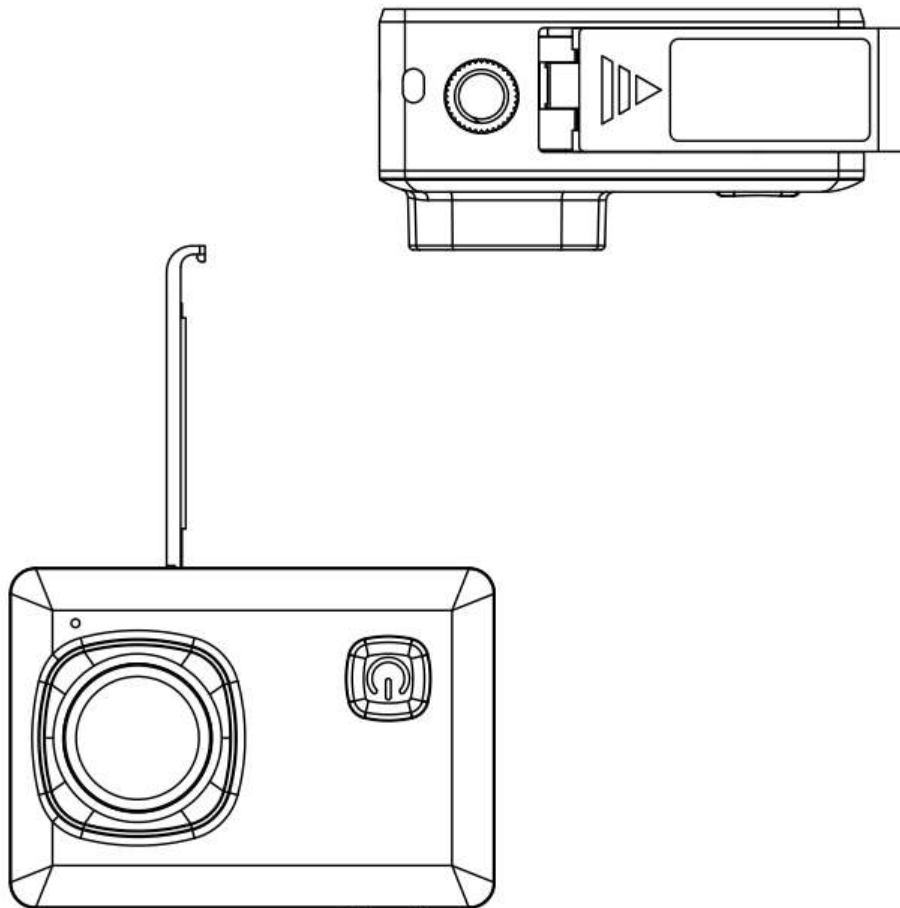


# Operation Instructions

## 1. Insert the Micro SD card

Please open the battery cover according to the arrow embossed on the cover, insert the Micro SD card to the card slot correctly.

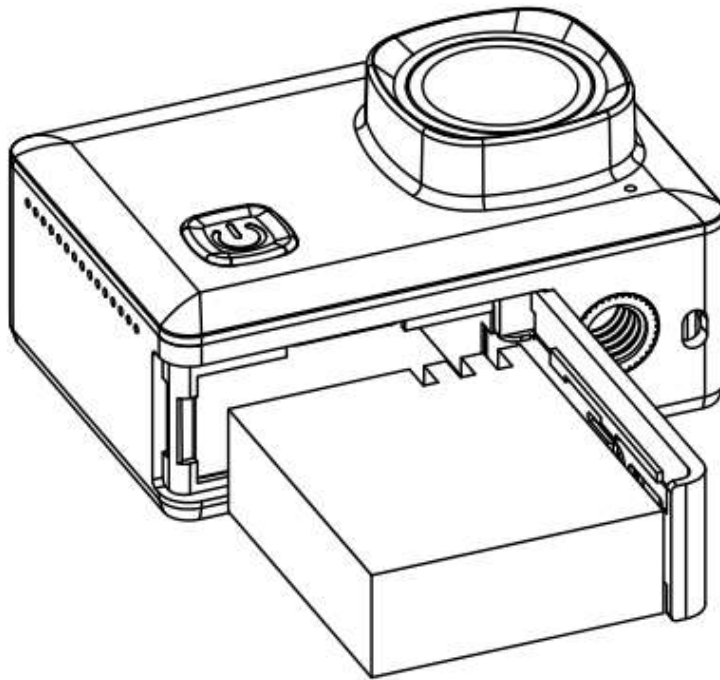
Note: please select the brand Micro SD card, format the card on the computer before use, normal neutral card can not be guaranteed to work properly.



## 2. Install and remove the battery

A. Slide the battery cover according to the battery cover arrow. It could pop up and open automatically.

B. Install and remove the battery according to the positive and negative signs and arrow directions indicated on the battery.



## 3. Charge

A. Use Type-C cable to connect the device with computer or power adaptor to charge.


B. It can realize the function of recording while charging.







C. The off state can also be charged.

#### 4. Boot-up and shut down

Long press the power switch for 3-5 seconds to turn on / off the camcorder.

#### 5. Recording mode selection

Turn on the camcorder, touch the  at the top left of the screen, there will be 6 modes as below for selection.

 Video	 Time-lapse Record	 Slow Motion
 WIFI	 Still	 Playback

## A. Video

.After selecting the recording mode in the shooting mode, press the shutter button to record, and press the shutter button again to stop recording.

The blue light flashes while recording.

## B. Time-lapse Record

Film frames are captured much lower than that used to view the sequence, when played at normal speed, time appears to be moving faster and thus lapsing. Highly save the amount of memory.

## C. Slow Motion

Each film frame is captured at a rate much faster than it will be played back, help you find out more details on videos.



## D. WiFi

You could find the SSID and password here.

## E. Take photos

Enter to take photos interface, after selecting the camera mode, press the shutter button to take a picture.


## F. Playback

In the upper left corner of the screen, click  to enter the shooting menu, click  to enter the video playback mode.



## 6. Menu Setting

A. After Selecting the video recording mode, click on the lower left corner of the screen

settings icon  to enter the menu settings.

B. Set the recording mode in the menu settings.

A. Recording mode menu: resolution, cyclic video, exposure, motion detection and other settings.

B. Main system menu: time setting, language, screen saver, formatting and so on.

## 7. Files Storage

Use the Type-C cable to copy the recorded files to the computer or take out the Micro SD, use the card reader to read the image data.

## 8. WIFI connection

This camcorder can be used with Android or IOS system mobile phone or tablet computer via WiFi connection, the specific steps as below:

A. Install “YKJ” app on your mobile phone or tablet computer. (Android system can be downloaded on Google Play, Apple system can be searched and downloaded on the APP Store)

B. After the camera is turn on, turn on the WIFI, the screen of the camera will show the WIFI logo, and then 4K Sports DV appears.

C. Turn on WiFi of your phone or tablet, search the camera's WIFI SSID and input the password (default password: 12345678), connected with the camera successfully.

D. After connection, you can set the camera function parameters or share the videos or photos via the connected mobile phone or tablet.

Tip: When the product caused by poor operation of the phenomenon of death, take out the battery and re-install it, the machine could be restored to normal.

## Product Specifications

Chipset	Novatek96683
Sensor	12M Sensor
Screen	2.0 inch 2.5D glass retina full touch screen
Video Format/ Compression	MP4/H.264 H.265
Video Resolution	4K P30 2.7K P30 4:3 2.7K P60 16:9 2K P60 1080P/60 1080P/30 720P/240 720P/60 720P/30 VGA P240/ VGA P30
Photo Format	JPG
Photo Resolution	20M/16M/12M/10M/8M/5M
Memory Card	Max to Micro SD 128GB, C10
Interface	TYPE-C 2.0 USB
Waterproof	Underwater 30M with waterproof shell
Battery	3.7V/1350mAh
Working Time	About 70Mins
Dimension	57*40*28mm
Net Weight	72g
Recording Mode	Normal recording/Time-lapse recording/ slow recording
Operation System	Windowsxp/VistaorAbove/Win7/Mac os

Language	English/French/German/Spanish/Italian/Portuguese/Simplified Chinese/Japanese/Traditional Chinese/ Russian/Korean/Polish/Swedish
----------	---

**Note:** The above specifications may change due to upgrading, updating or some other reasons, please refer to the final real product.

**FCC Statement**

1. This device complies with Part 15 of the FCC Rules. Operation is subject to the following two conditions:

- (1) This device may not cause harmful interference.
- (2) This device must accept any interference received, including interference that may cause undesired operation.

2. Changes or modifications not expressly approved by the party responsible for compliance could void the user's authority to operate the equipment.

**NOTE:**

This equipment has been tested and found to comply with the limits for a Class B digital device, pursuant to Part 15 of the FCC Rules. These limits are designed to provide reasonable protection against harmful interference in a residential installation.

This equipment generates uses and can radiate radio frequency energy and, if not installed and used in accordance with the instructions, may cause harmful interference to radio communications. However, there is no guarantee that interference will not occur in a particular installation. If this equipment does cause harmful interference to radio or television reception, which can be determined by turning the equipment off and on, the user is encouraged to try to correct the interference by one or more of the following measures:

- Reorient or relocate the receiving antenna.
- Increase the separation between the equipment and receiver.
- Connect the equipment into an outlet on a circuit different from that to which the receiver is connected.
- Consult the dealer or an experienced radio/TV technician for help.

This equipment complies with the FCC RF radiation exposure limits set forth for an uncontrolled environment.