

MEASUREMENT REPORT

FCC Part 15 Subpart B

Applicant: HAN Networks Co., Ltd.

Address: 101-A16, 1st Floor, Building 3, No.9 compound,
Yongfeng Road, Haidian District, Beijing, P.R. China

Product: HAN Access Point

Model No.: AP331

Brand Name: HANNETWORKS; HAN NETWORKS

FCC Rule Part(s): FCC Part 15 Subpart B: 2021

Test Procedure(s): ANSI C63.4: 2014

Test Date: September 02 ~ November 12, 2021

Reviewed By:

Approved By:



The test results relate only to the samples tested.

This equipment has been shown to be capable of compliance with the applicable technical standards as indicated in the measurement report and was tested in accordance with the measurement procedures specified in ANSI C63.4-2014. Test results reported herein relate only to the item(s) tested.

The test report shall not be reproduced except in full without the written approval of MRT Technology (Suzhou) Co., Ltd.

Revision History

Report No.	Version	Description	Issue Date	Note
2108RSU085-U1	Rev. 01	Initial Report	12-02-2021	Valid

Note: This is a copy report based on MRT original report (report No.: 2108RSU084-U1). It only changed the information of the applicant and the product. The hardware and software of the product are the same.

CONTENTS

Description	Page
1. General Information	4
1.1. Applicant	4
1.2. Manufacturer	4
1.3. Testing Facility	4
1.4. Product Information	5
1.5. Test Mode	5
1.6. Configuration of Tested System	6
1.7. Test System Details	7
1.8. Test Procedure	7
1.9. EMI Suppression Device(s)/Modifications	7
2. TEST EQUIPMENT CALIBRATION DATE	8
3. MEASUREMENT UNCERTAINTY	9
4. TEST RESULT	10
4.1. Summary	10
4.2. Conducted Emission Measurement	11
4.2.1. Test Limit	11
4.2.2. Test Setup	11
4.2.3. Test Result	12
4.3. Radiated Emission Measurement	16
4.3.1. Test Limit	16
4.3.2. Test Setup	16
4.3.3. Test Result	18
5. CONCLUSION	26
Appendix A - Test Setup Photograph	27
Appendix B - EUT Photograph	28

1.4. Product Information

Product Name	HAN Access Point
Model No.	AP331
Wi-Fi Specification	802.11a/b/g/n/ac/ax
Bluetooth Specification	v5.0 Single mode
Power Type	AC Power Adapter or PoE Injector Input
Operating Environment	Indoor Use
Operating Temperature	-10°C ~ 50°C
Accessories	
AC Power Adapter	Model: ADP-50GR B Input: 100-240V ~ 50/60Hz, 1.3A Output: 48.0V, 1.042A, 50.1W MAX
PoE Injector	Model: POE60U-1BT-X Input: 100-240V ~ 1.5A, 50/60Hz Output: 56.0V, 0.535A, 30W PIN 3,6+ PIN 1,2 Return Output: 56.0V, 0.535A, 30W PIN 4,5+ PIN 7,8 Return
Remark: 1. AC Power Adapter and PoE Injector are not sold with the product. 2. The information of EUT was provided by the manufacturer, and the accuracy of the information shall be the responsibility of the manufacturer.	

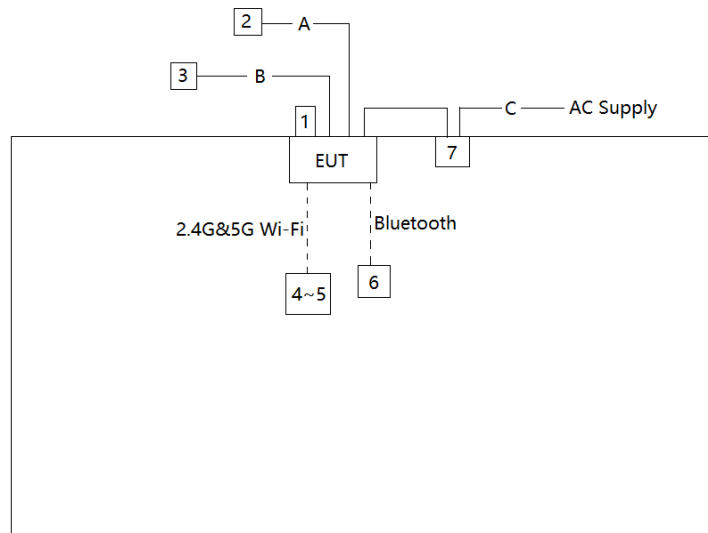
1.5. Test Mode

Test Mode
Mode 1: Power on EUT by AC Power Adapter & LAN Ports communicate with Notebook & Insert USB Flash Disk & 2.4G/5G Wi-Fi communicate with Phone & BLE communicate with Phone
Mode 2: Power on EUT by PoE Injector & LAN Ports communicate with Notebook & Insert USB Flash Disk & 2.4G/5G Wi-Fi communicate with Phone & BLE communicate with Phone

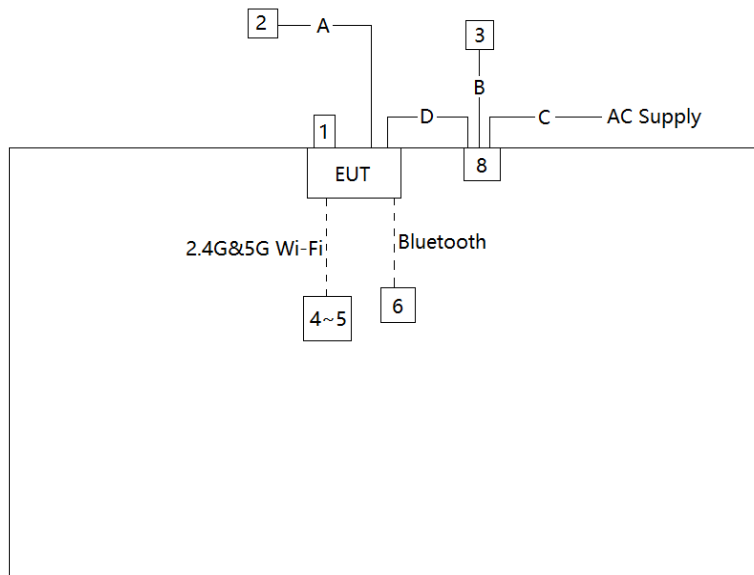
1.6. Configuration of Tested System

The measurement procedures and appropriate EUT setup described in the American National Standard for Methods of Measurement of Radio-Noise Emissions from Low-Voltage Electrical and Electronic Equipment in the Range of 9kHz to 40GHz (ANSI C63.4-2014) was used in the measurement.

Mode 1



Mode 2



Cable Type	Cable Description
A ~ B	LAN Cable Non-Shielding, >2m
C	Power Cable Non-Shielded, >1.5m
D	LAN Cable Non-Shielding, >2m

1.7. Test System Details

Product	Manufacturer	Model No.	
1	USB Flash Disk	SanDisk	NA
2	Notebook	Lenovo	ThinkPad E495
3	Notebook	Lenovo	ThinkPad E495
4	Notebook	Lenovo	ThinkPad E495
5	Notebook	Lenovo	ThinkPad E495
6	Mobile Phone	Apple	iPhone XR
7	AC/DC Adapter	DELTA ELECTRONICS, INC.	ADP-50GR B
8	PoE Adapter	PHIHONG	POE60U-1BT-X

1.8. Test Procedure

1	Setup the EUT and simulators as shown on above.
2	Configurate all test modes as shown in section 1.5.
3	Begin to test.

1.9. EMI Suppression Device(s)/Modifications

No EMI suppression device(s) were added and/or no modifications were made during testing.

2. TEST EQUIPMENT CALIBRATION DATE

No.	Instrument	Manufacturer	Model No.	Asset No.	Cali. Interval	Cali. Due Date	Test Site
1	Anechoic Chamber	RIKEN	SIP-AC1	MRTSUE06554	1 year	2021/12/24	SIP-AC1
2	Preamplifier	EMCI	EMC051845SE	MRTSUE06600	1 year	2022/11/8	SIP-AC1
3	Horn Antenna	R&S	HF907	MRTSUE06610	1 year	2022/8/5	SIP-AC1
4	Thermohygrometer	testo	608-H1	MRTSUE06616	1 year	2021/11/25	SIP-AC1
5	Thermohygrometer	testo	608-H1	MRTSUE06620	1 year	2021/12/3	SIP-AC1
6	TRILOG Antenna	Schwarzbeck	VULB 9168	MRTSUE06645	1 year	2022/8/26	SIP-AC1
7	EMI Test Receiver	R&S	ESR3	MRTSUE06185	1 year	2022/1/12	SIP-AC1
8	Preamplifier	EMCI	EMC001330	MRTSUE06643	1 year	2022/1/14	SIP-AC1
9	Signal Analyzer	Keysight	N9010B	MRTSUE06559	1 year	2022/6/24	SIP-AC1
10	EMI Test Receiver	R&S	ESR3	MRTSUE06613	1 year	2022/6/24	SIP-AC3
11	Signal Analyzer	Keysight	N9010B	MRTSUE06603	1 year	2021/11/23	SIP-AC3
12	Preamplifier	Schwarzbeck	BBV 9721	MRTSUE06121	1 year	2022/6/9	SIP-AC3
13	Horn Antenna	Schwarzbeck	BBHA 9170	MRTSUE06598	1 year	2021/11/26	SIP-AC3
14	Horn Antenna	R&S	HF907	MRTSUE06611	1 year	2022/9/12	SIP-AC3
15	Thermohygrometer	testo	608-H1	MRTSUE06619	1 year	2021/11/25	SIP-AC3
16	Thermohygrometer	testo	608-H1	MRTSUE06622	1 year	2021/12/3	SIP-AC3
17	Preamplifier	EMCI	EMC012645SE	MRTSUE06642	1 year	2022/1/14	SIP-AC3
18	TRILOG Antenna	Schwarzbeck	VULB 9168	MRTSUE06646	1 year	2022/8/26	SIP-AC3
19	Anechoic Chamber	RIKEN	SIP-AC3	MRTSUE06782	1 year	2021/12/24	SIP-AC3
20	Two-Line V-Network	R&S	ENV216	MRTSUE06003	1 year	2022/6/8	SIP-SR2
21	EMI Test Receiver	R&S	ESR3	MRTSUE06612	1 year	2022/6/24	SIP-SR2
22	Four-Line V-Network	R&S	ENV432	MRTSUE06614	1 year	2022/10/10	SIP-SR2
23	Thermohygrometer	testo	608-H1	MRTSUE06621	1 year	2021/12/3	SIP-SR2
24	Shielding Room	MIX-BEP	SIP-SR2	MRTSUE06949	/	/	SIP-SR2

Software	Version	Function
EMI Software	V3	EMI Test Software

3. MEASUREMENT UNCERTAINTY

Where relevant, the following test uncertainty levels have been estimated for tests performed on the EUT as specified in CISPR 16-4-2. This uncertainty represents an expanded uncertainty expressed at approximately the 95% confidence level using a coverage factor of $k = 2$.

Conducted Emission Measurement
The maximum measurement uncertainty is evaluated as: 9kHz~150kHz: 3.74dB 150kHz~30MHz: 3.44dB
Radiated Emission Measurement
The maximum measurement uncertainty is evaluated as: Horizontal: 30MHz~300MHz: 5.04dB 300MHz~1GHz: 4.95dB 1GHz~40GHz: 6.40dB Vertical: 30MHz~300MHz: 5.24dB 300MHz~1GHz: 6.03dB 1GHz~40GHz: 6.40dB

4. TEST RESULT

4.1. Summary

FCC Part Section(s)	Test Description	Test Result
15.107	Conducted Emission	Pass
15.109	Radiated Emission	Pass

4.2. Conducted Emission Measurement

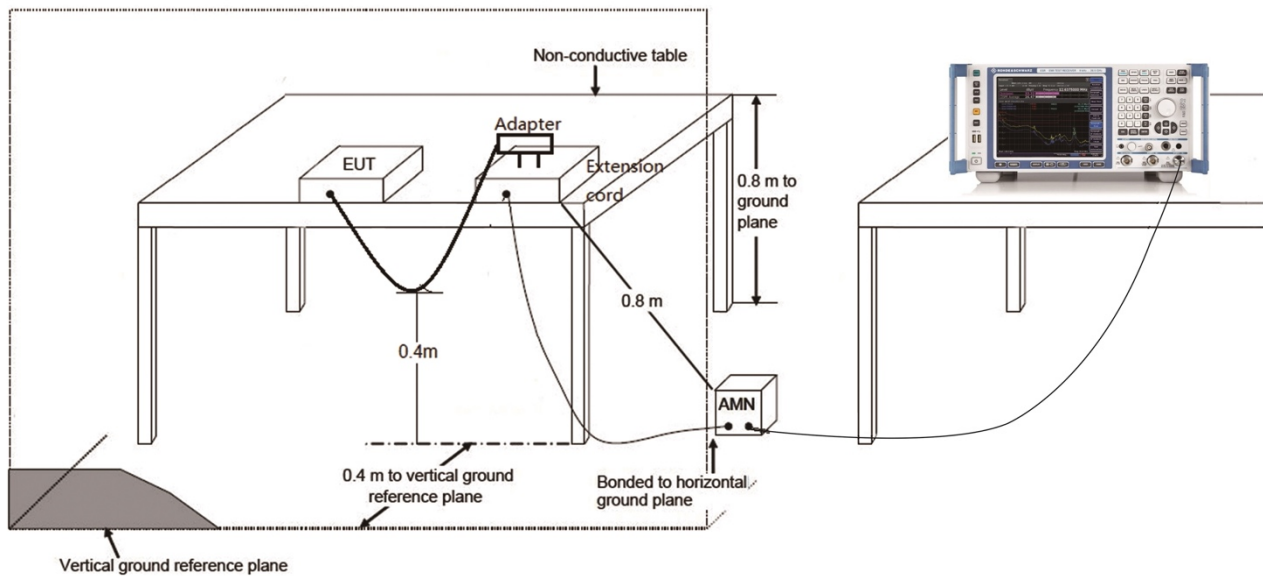
4.2.1. Test Limit

FCC Part 15.107 Class B Limits		
Frequency (MHz)	QP (dB μ V)	AV (dB μ V)
0.15 ~ 0.50	66 ~ 56	56 ~ 46
0.50 ~ 5.0	56	46
5.0 ~ 30	60	50

Note 1: The lower limit shall apply at the transition frequencies.

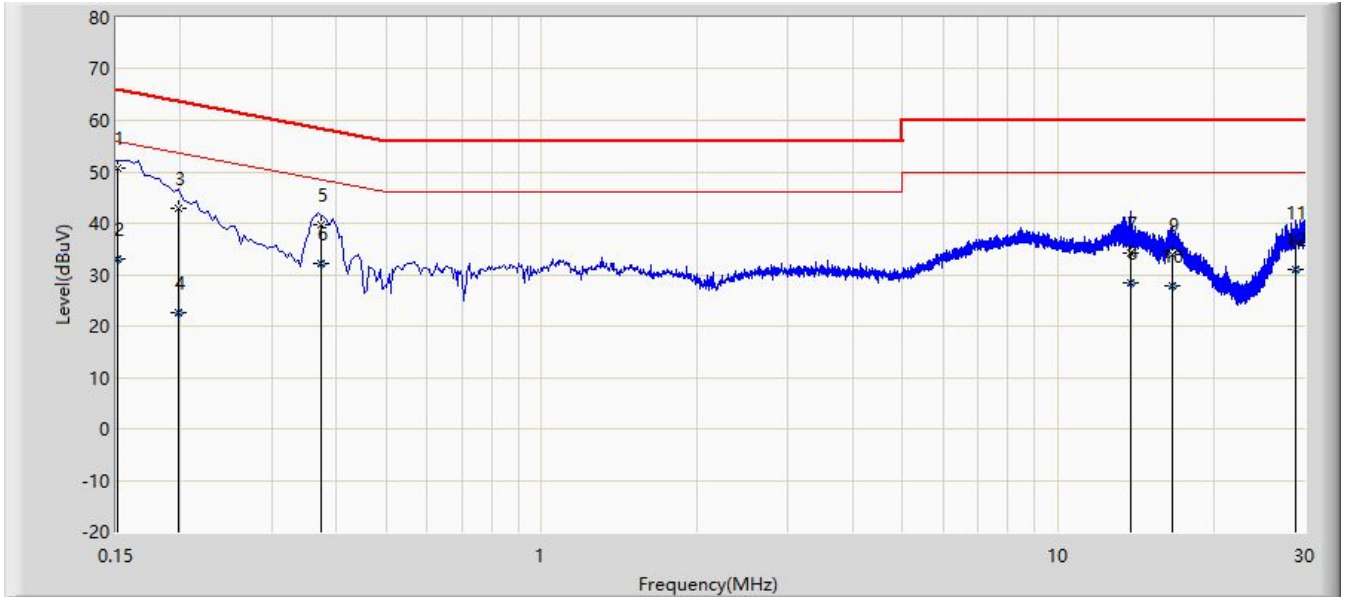
Note 2: The limit decreases linearly with the logarithm of the frequency in the range 0.15MHz to 0.5MHz.

4.2.2. Test Setup



4.2.3. Test Result

Site: SIP-SR2	Test Date: 2021/09/02
Limit: FCC_Part15.107_CE_AC Power_Class B	Engineer: Barry Wu
Probe: SIP-SR2-ENV216_101684_C	Polarity: Neutral
EUT: HAN Access Point	Power: AC 120V/60Hz
Test Mode 1	

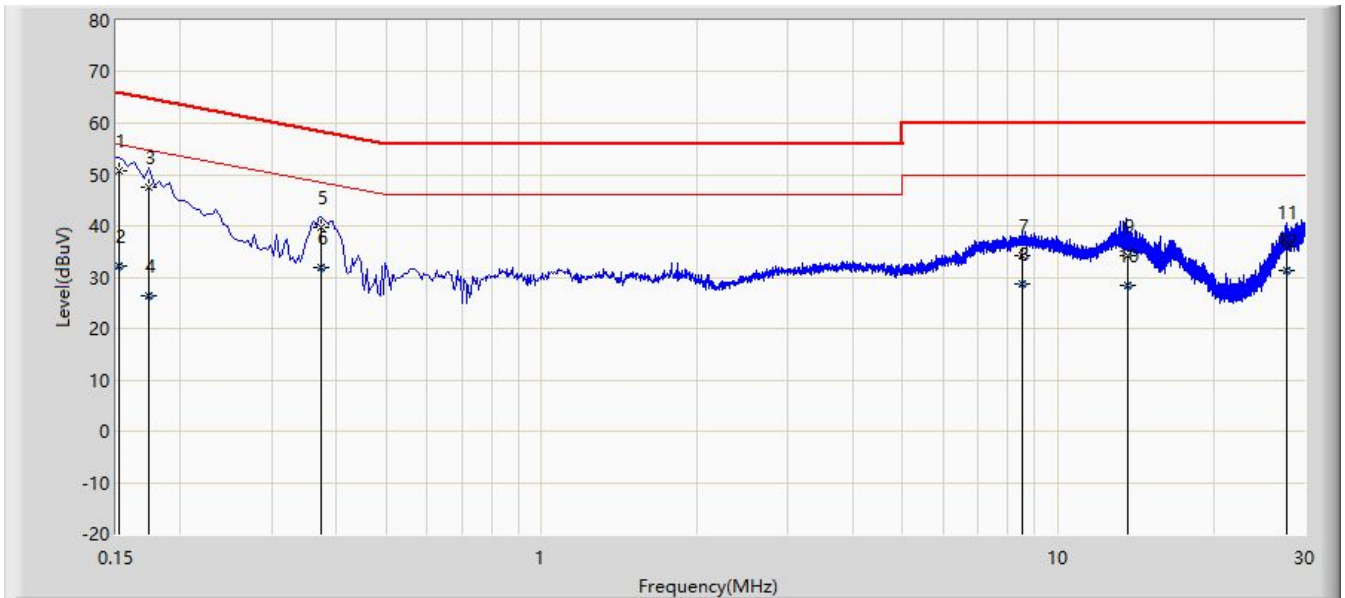


No	Flag	Mark	Frequency (MHz)	Measure Level (dBμV)	Reading Level (dBμV)	Margin (dB)	Limit (dBμV)	Factor (dB)	Type
1		*	0.151	50.641	41.000	-15.304	65.945	9.641	QP
2			0.151	33.041	23.400	-22.904	55.945	9.641	AV
3			0.198	42.919	33.264	-20.775	63.694	9.655	QP
4			0.198	22.737	13.081	-30.957	53.694	9.655	AV
5			0.375	39.805	30.100	-18.584	58.389	9.705	QP
6			0.375	32.105	22.400	-16.284	48.389	9.705	AV
7			13.808	34.202	24.100	-25.798	60.000	10.102	QP
8			13.808	28.302	18.200	-21.698	50.000	10.102	AV
9			16.642	33.805	23.585	-26.195	60.000	10.220	QP
10			16.642	27.694	17.474	-22.306	50.000	10.220	AV
11			28.873	36.319	25.800	-23.681	60.000	10.518	QP
12			28.873	31.019	20.500	-18.981	50.000	10.518	AV

Note: Measure Level (dBμV) = Reading Level (dBμV) + Factor (dB)

Factor (dB) = Cable Loss (dB) + LISN Factor (dB).

Site: SIP-SR2	Test Date: 2021/09/02
Limit: FCC_Part15.107_CE_AC Power_Class B	Engineer: Barry Wu
Probe: SIP-SR2-ENV216_101684_C	Polarity: Line
EUT: HAN Access Point	Power: AC 120V/60Hz
Test Mode 1	

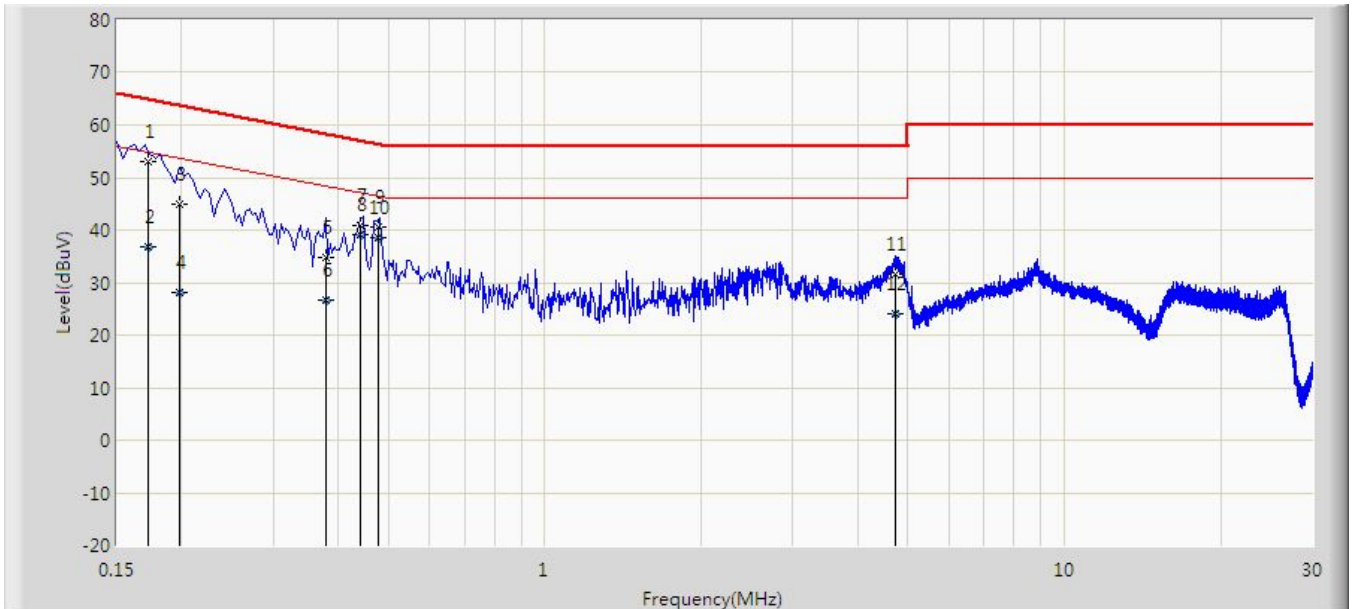


No	Flag	Mark	Frequency (MHz)	Measure Level (dBμV)	Reading Level (dBμV)	Margin (dB)	Limit (dBμV)	Factor (dB)	Type
1		*	0.152	50.749	41.100	-15.141	65.890	9.649	QP
2			0.152	32.149	22.500	-23.741	55.890	9.649	AV
3			0.174	47.463	37.818	-17.304	64.767	9.645	QP
4			0.174	26.403	16.758	-28.364	54.767	9.645	AV
5			0.375	39.615	29.900	-18.774	58.389	9.715	QP
6			0.375	31.915	22.200	-16.474	48.389	9.715	AV
7			8.526	34.159	24.164	-25.841	60.000	9.995	QP
8			8.526	28.639	18.644	-21.361	50.000	9.995	AV
9			13.620	34.336	24.200	-25.664	60.000	10.136	QP
10			13.620	28.536	18.400	-21.464	50.000	10.136	AV
11			27.674	36.692	26.245	-23.308	60.000	10.447	QP
12			27.674	31.376	20.929	-18.624	50.000	10.447	AV

Note: Measure Level (dBμV) = Reading Level (dBμV) + Factor (dB)

Factor (dB) = Cable Loss (dB) + LISN Factor (dB).

Site: SIP-SR2	Time: 2021/11/12
Limit: FCC_Part15.107_CE_AC Power_Class B	Engineer: Barry Wu
Probe: SIP-SR2-ENV216_101684_C	Polarity: Line
EUT: HAN Access Point	Power: AC 120V/60Hz
Test Mode 2	

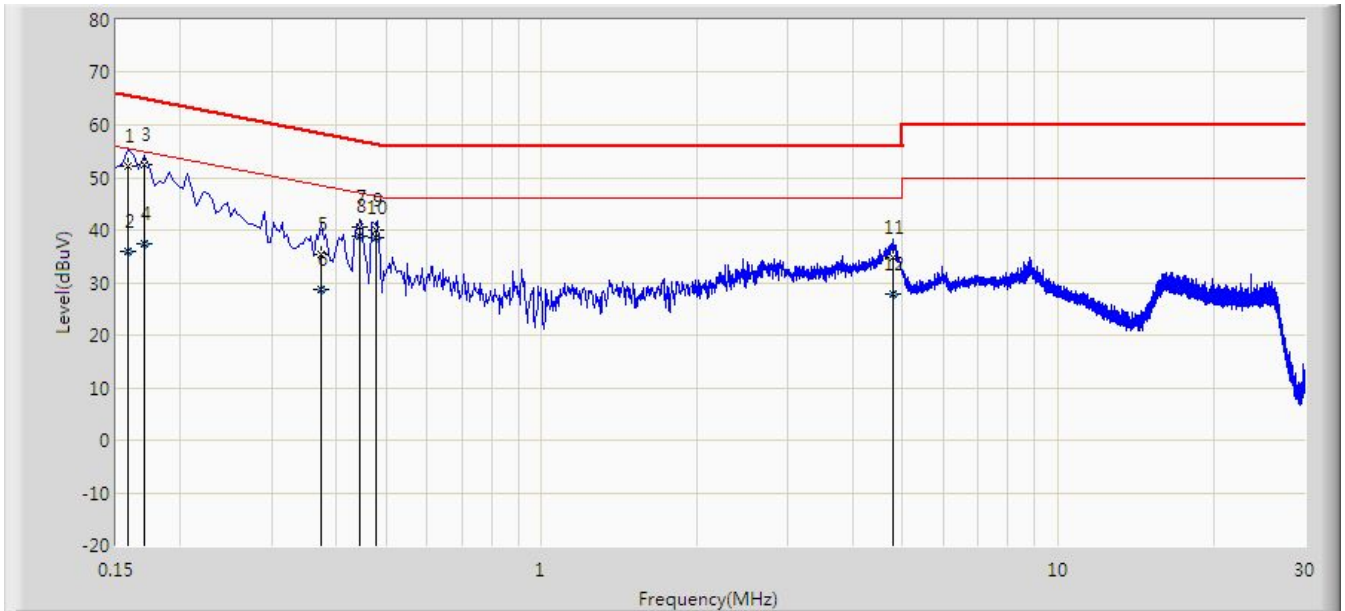


No	Flag	Mark	Frequency (MHz)	Measure Level (dBµV)	Reading Level (dBµV)	Over Limit (dB)	Limit (dBµV)	Factor (dB)	Type
1			0.172	53.045	43.400	-11.818	64.863	9.645	QP
2			0.172	36.845	27.200	-18.018	54.863	9.645	AV
3			0.198	44.857	35.192	-18.837	63.694	9.665	QP
4			0.198	28.247	18.581	-25.447	53.694	9.665	AV
5			0.378	34.721	25.005	-23.602	58.323	9.716	QP
6			0.378	26.555	16.838	-21.768	48.323	9.716	AV
7			0.442	40.820	31.100	-16.204	57.024	9.720	QP
8			0.442	39.220	29.500	-7.804	47.024	9.720	AV
9			0.477	40.520	30.800	-15.871	56.391	9.720	QP
10		*	0.477	38.620	28.900	-7.771	46.391	9.720	AV
11			4.718	31.572	21.735	-24.428	56.000	9.837	QP
12			4.718	23.978	14.141	-22.022	46.000	9.837	AV

Note: Measure Level (dBµV) = Reading Level (dBµV) + Factor (dB)

Factor (dB) = Cable Loss (dB) + LISN Factor (dB).

Site: SIP-SR2	Time: 2021/11/12
Limit: FCC_Part15.107_CE_AC Power_Class B	Engineer: Barry Wu
Probe: SIP-SR2-ENV216_101684_C	Polarity: Neutral
EUT: HAN Access Point	Power: AC 120V/60Hz
Test Mode 2	



No	Flag	Mark	Frequency (MHz)	Measure Level (dBµV)	Reading Level (dBµV)	Over Limit (dB)	Limit (dBµV)	Factor (dB)	Type
1			0.158	52.138	42.500	-13.430	65.568	9.638	QP
2			0.158	35.838	26.200	-19.730	55.568	9.638	AV
3			0.170	52.416	42.780	-12.544	64.960	9.636	QP
4			0.170	37.312	27.676	-17.649	54.960	9.636	AV
5			0.374	35.451	25.746	-22.960	58.412	9.705	QP
6			0.374	28.651	18.946	-19.761	48.412	9.705	AV
7			0.443	40.610	30.900	-16.395	57.005	9.710	QP
8			0.443	38.910	29.200	-8.095	47.005	9.710	AV
9			0.477	40.010	30.300	-16.381	56.391	9.710	QP
10		*	0.477	38.410	28.700	-7.981	46.391	9.710	AV
11			4.802	34.719	24.900	-21.281	56.000	9.819	QP
12			4.802	27.738	17.919	-18.262	46.000	9.819	AV

Note: Measure Level (dBµV) = Reading Level (dBµV) + Factor (dB)

Factor (dB) = Cable Loss (dB) + LISN Factor (dB).

4.3. Radiated Emission Measurement

4.3.1. Test Limit

FCC Part 15.109 Class B Limit		
Frequency (MHz)	Distance (m)	Level (dB μ V/m)
30 - 88	3	40
88 - 216	3	43.5
216 - 960	3	46
Above 960	3	54

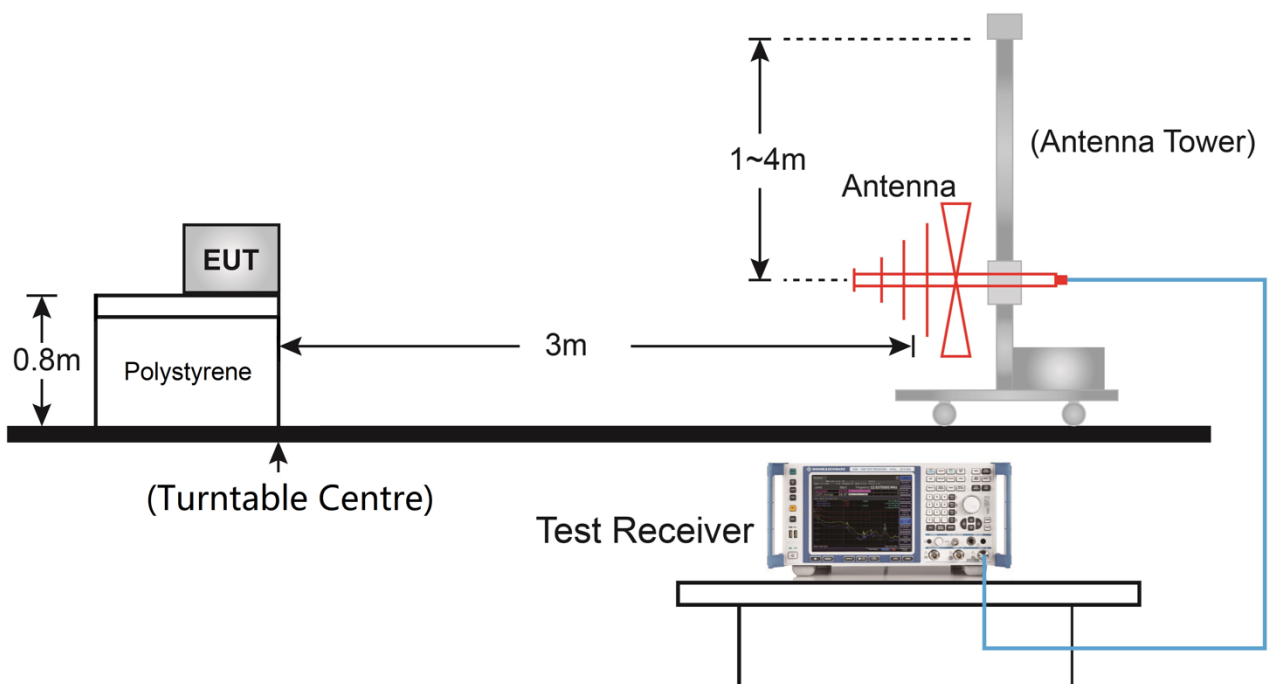
Note 1: The lower limit shall apply at the transition frequency.

Note 2: Distance refers to the distance in meters between the measuring instrument antenna and the closed point of any part of the device or system.

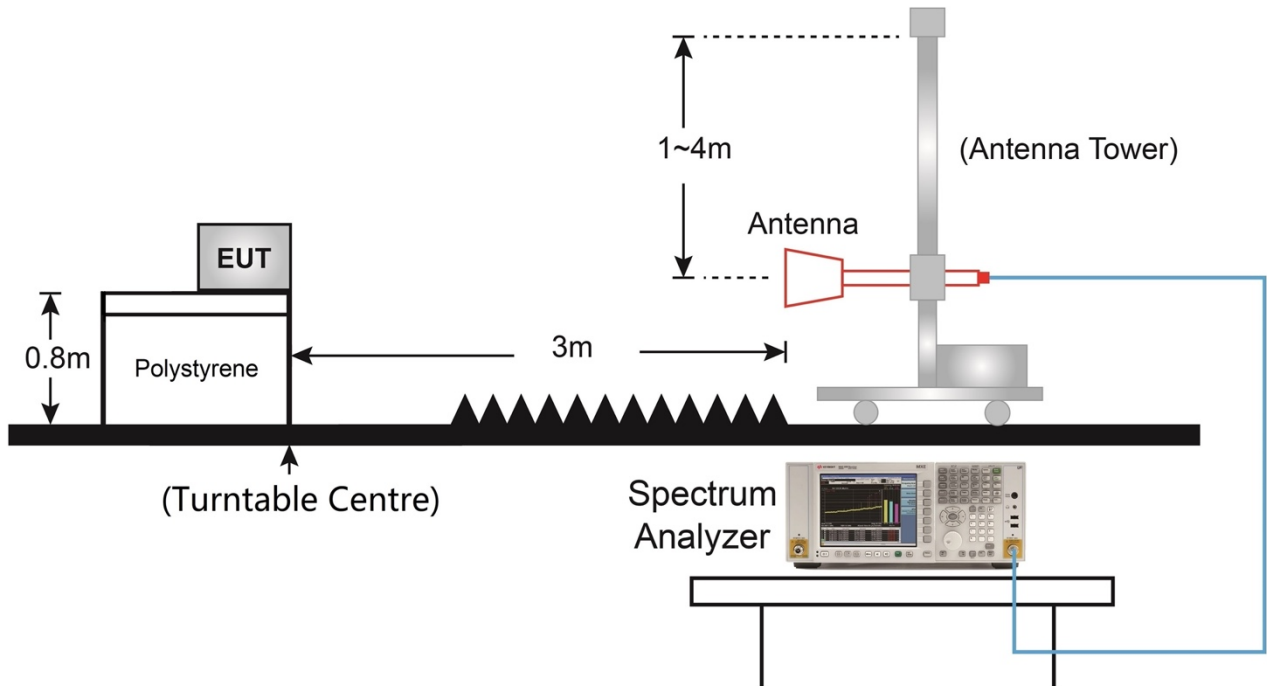
Note 3: E field strength (dB μ V/m) = 20 log E field strength (μ V/m)

4.3.2. Test Setup

Below 1GHz Test Setup:

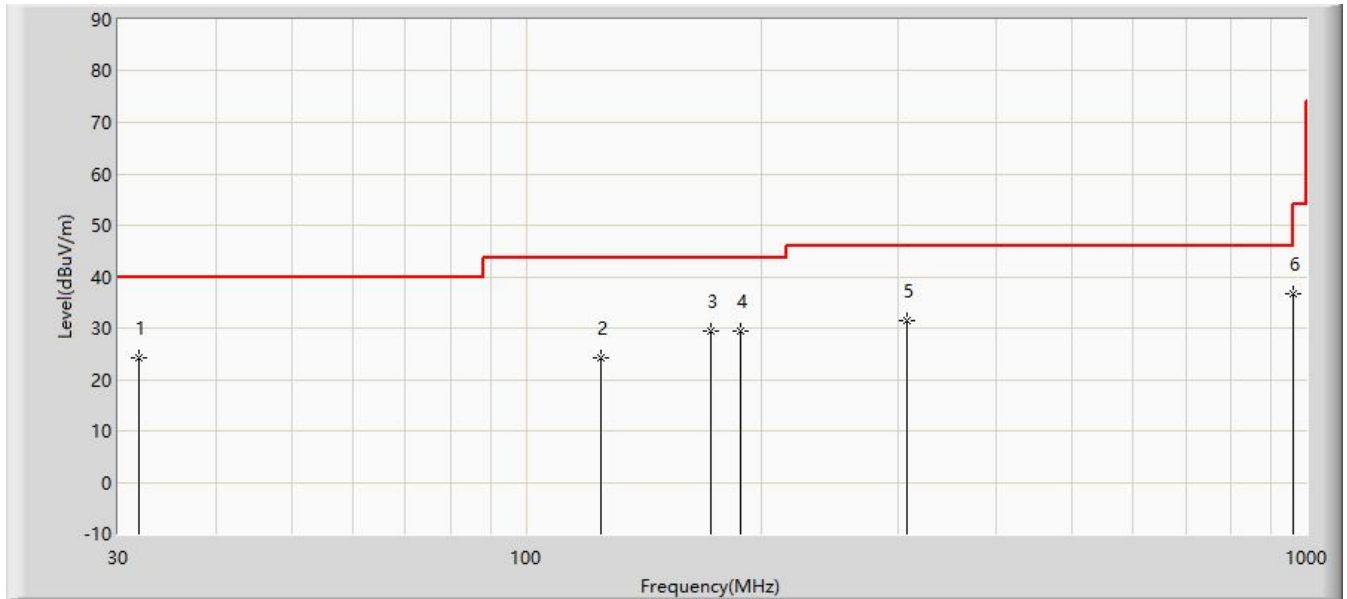


Above 1GHz Test Setup:



4.3.3. Test Result

Site: SIP-AC3	Test Date: 2021/09/10
Limit: FCC_Part15.109_RE(3m) _ Class B	Engineer: Stephen Dong
Probe: SIP-AC3_VULB 9168 _30-1000MHz	Polarity: Horizontal
EUT: HAN Access Point	Power: AC 120V/60Hz
Test Mode 1	



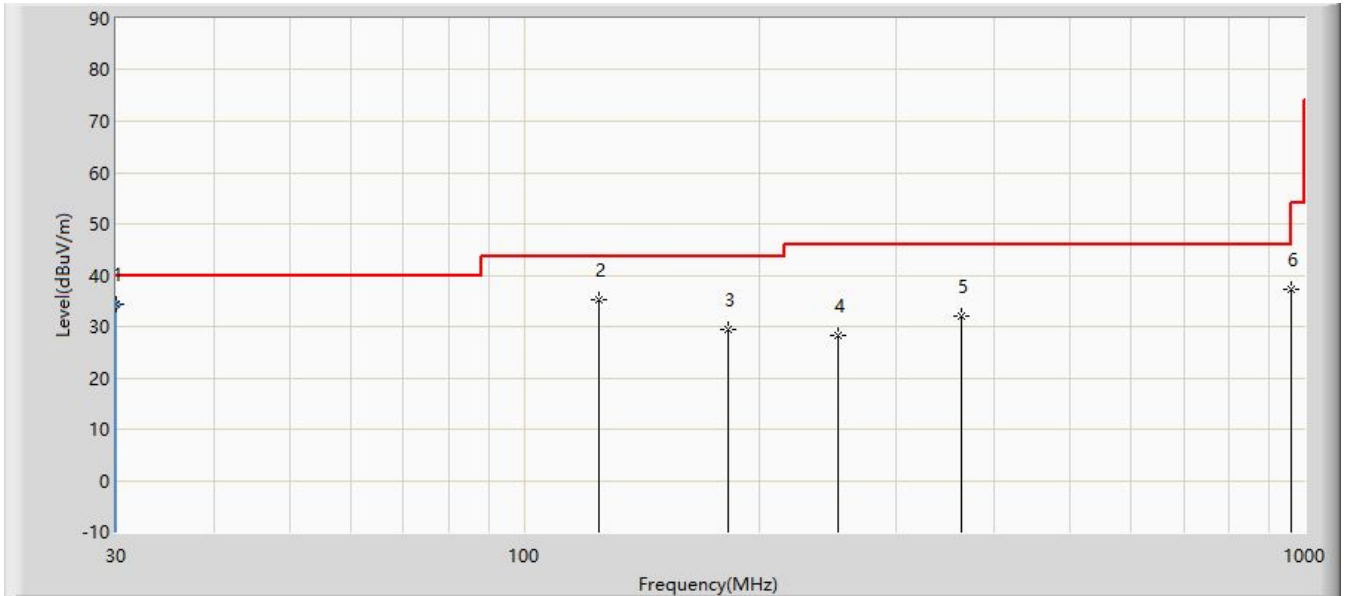
No	Flag	Mark	Frequency (MHz)	Measure Level (dB μ V/m)	Reading Level (dB μ V)	Margin (dB)	Limit (dB μ V/m)	Factor (dB/m)	Type
1			31.940	24.105	7.399	-15.895	40.000	16.706	PK
2			124.575	24.256	8.505	-19.244	43.500	15.751	PK
3			172.590	29.528	12.355	-13.972	43.500	17.173	PK
4		*	188.595	29.559	13.941	-13.941	43.500	15.618	PK
5			306.935	31.538	12.907	-14.462	46.000	18.631	PK
6			961.685	36.545	6.692	-17.455	54.000	29.852	PK

Note 1: Measure Level (dB μ V/m) = Reading Level (dB μ V) + Factor (dB/m)

Factor (dB/m) = Cable Loss (dB) + Antenna Factor (dB/m).

Note 2: If the peak detected signals are below the quasi-peak limit, then no further investigation of the quasi-peak readings is required.

Site: SIP-AC3	Test Date: 2021/09/10
Limit: FCC_Part15.109_RE(3m) _ Class B	Engineer: Stephen Dong
Probe: SIP-AC3_VULB 9168 _30-1000MHz	Polarity: Vertical
EUT: HAN Access Point	Power: AC 120V/60Hz
Test Mode 1	



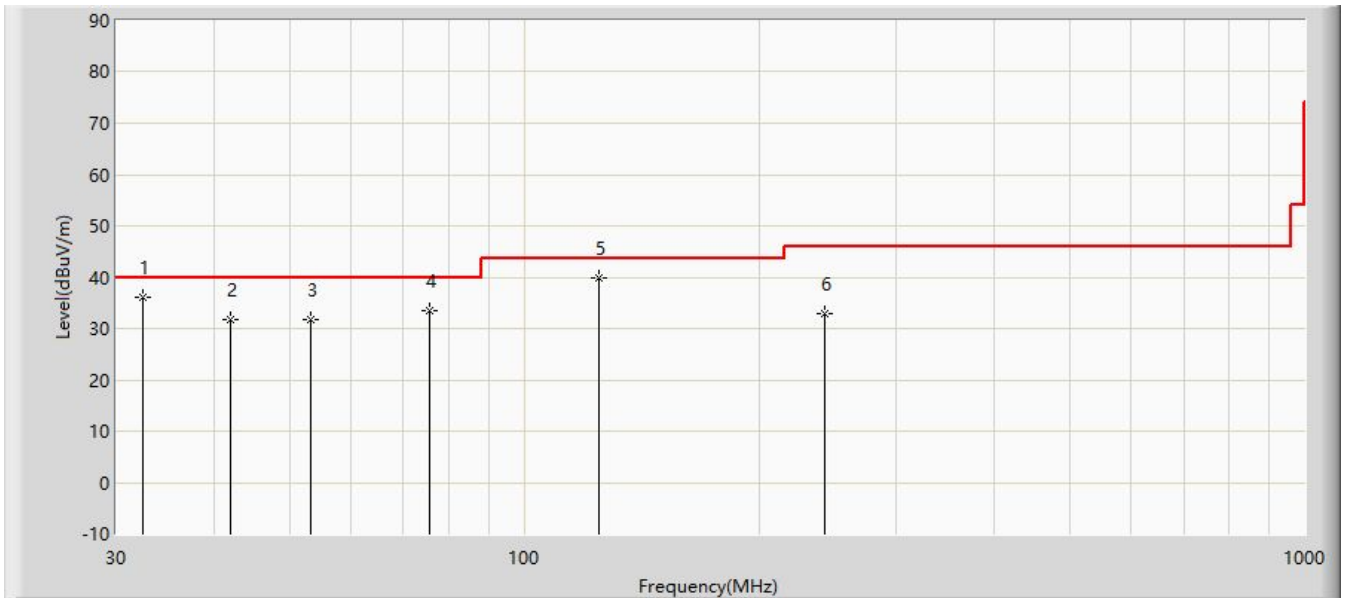
No	Flag	Mark	Frequency (MHz)	Measure Level (dB μ V/m)	Reading Level (dB μ V)	Margin (dB)	Limit (dB μ V/m)	Factor (dB/m)	Type
1		*	30.000	34.203	17.400	-5.797	40.000	16.803	QP
2			124.575	35.248	19.497	-8.252	43.500	15.751	PK
3			182.290	29.324	13.082	-14.176	43.500	16.242	PK
4			252.615	28.141	11.294	-17.859	46.000	16.847	PK
5			363.680	32.108	12.181	-13.892	46.000	19.927	PK
6			961.685	37.108	7.255	-16.892	54.000	29.852	PK

Note 1: Measure Level (dB μ V/m) = Reading Level (dB μ V) + Factor (dB/m)

Factor (dB/m) = Cable Loss (dB) + Antenna Factor (dB/m).

Note 2: If the peak detected signals are below the quasi-peak limit, then no further investigation of the quasi-peak readings is required.

Site: SIP-AC3	Test Date: 2021/09/10
Limit: FCC_Part15.109_RE(3m) _ Class B	Engineer: Stephen Dong
Probe: SIP-AC3_VULB 9168 _30-1000MHz	Polarity: Vertical
EUT: HAN Access Point	Power: By PoE
Test Mode 2	



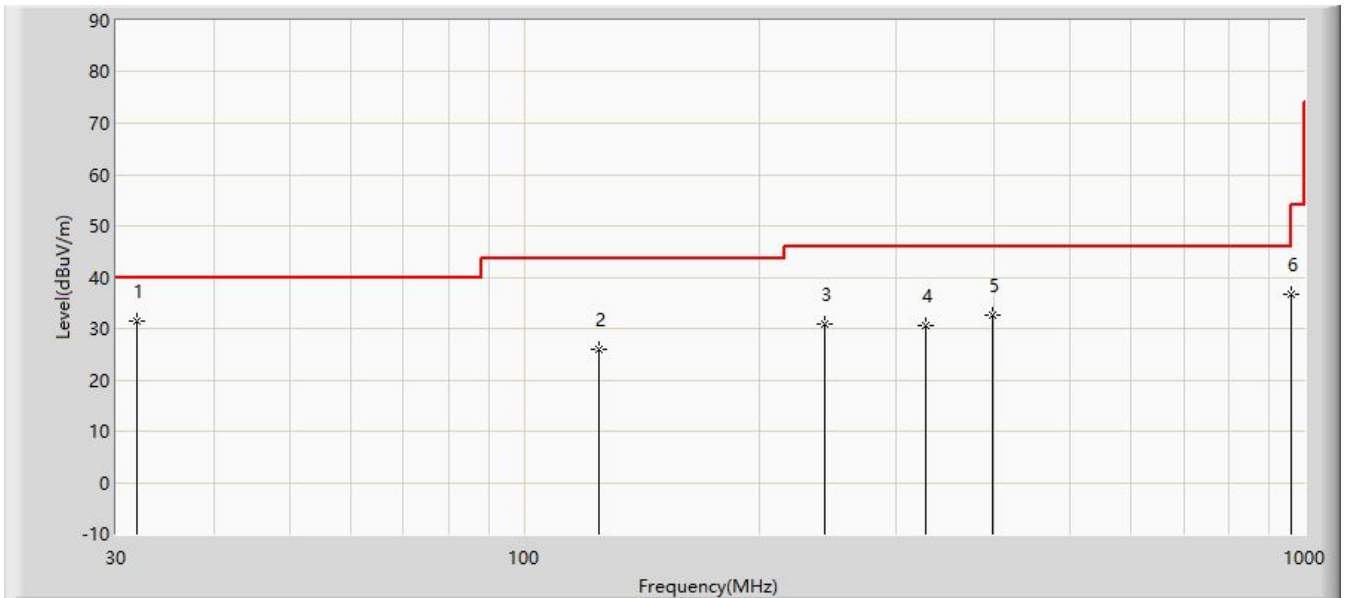
No	Flag	Mark	Frequency (MHz)	Measure Level (dB μ V/m)	Reading Level (dB μ V)	Margin (dB)	Limit (dB μ V/m)	Factor (dB/m)	Type
1			32.425	35.992	19.277	-4.008	40.000	16.715	PK
2			42.125	31.855	14.069	-8.145	40.000	17.786	PK
3			53.280	31.814	14.038	-8.186	40.000	17.776	PK
4			75.590	33.541	19.241	-6.459	40.000	14.300	PK
5		*	124.575	39.867	24.116	-3.633	43.500	15.751	PK
6			242.915	32.774	16.139	-13.226	46.000	16.635	PK

Note 1: Measure Level (dB μ V/m) = Reading Level (dB μ V) + Factor (dB/m)

Factor (dB/m) = Cable Loss (dB) + Antenna Factor (dB/m).

Note 2: If the peak detected signals are below the quasi-peak limit, then no further investigation of the quasi-peak readings is required.

Site: SIP-AC3	Test Date: 2021/09/10
Limit: FCC_Part15.109_RE(3m) _ Class B	Engineer: Stephen Dong
Probe: SIP-AC3_VULB 9168 _30-1000MHz	Polarity: Horizontal
EUT: HAN Access Point	Power: By PoE
Test Mode 2	



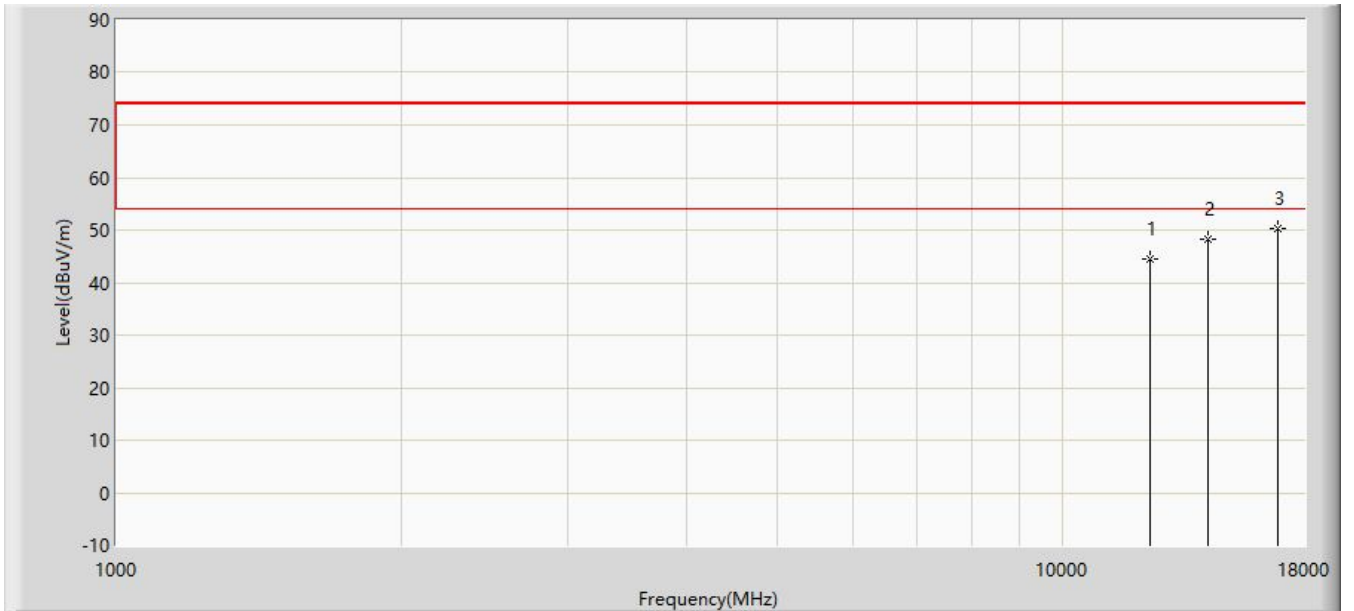
No	Flag	Mark	Frequency (MHz)	Measure Level (dB μ V/m)	Reading Level (dB μ V)	Margin (dB)	Limit (dB μ V/m)	Factor (dB/m)	Type
1		*	31.940	31.436	14.730	-8.564	40.000	16.706	PK
2			124.575	25.806	10.055	-17.694	43.500	15.751	PK
3			242.915	30.954	14.319	-15.046	46.000	16.635	PK
4			326.335	30.447	11.215	-15.553	46.000	19.232	PK
5			398.115	32.505	11.846	-13.495	46.000	20.659	PK
6			961.685	36.599	6.746	-17.401	54.000	29.852	PK

Note 1: Measure Level (dB μ V/m) = Reading Level (dB μ V) + Factor (dB/m)

Factor (dB/m) = Cable Loss (dB) + Antenna Factor (dB/m).

Note 2: If the peak detected signals are below the quasi-peak limit, then no further investigation of the quasi-peak readings is required.

Site: SIP-AC1	Test Date: 2021/09/10
Limit: FCC_Part15.109_RE(3m)_Class B	Engineer: Kyrie Xie
Probe: SIP-AC1_HF907_102862_1-18GHz	Polarity: Horizontal
EUT: HAN Access Point	Power: AC 120V/60Hz
Test Mode 1	



No	Flag	Mark	Frequency (MHz)	Measure Level (dB μ V/m)	Reading Level (dB μ V)	Margin (dB)	Limit (dB μ V/m)	Factor (dB/m)	Type
1			12381.500	44.613	48.853	-29.387	74.000	-4.241	PK
2			14243.000	48.266	48.445	-25.734	74.000	-0.179	PK
3		*	16852.500	50.424	46.412	-23.576	74.000	4.011	PK

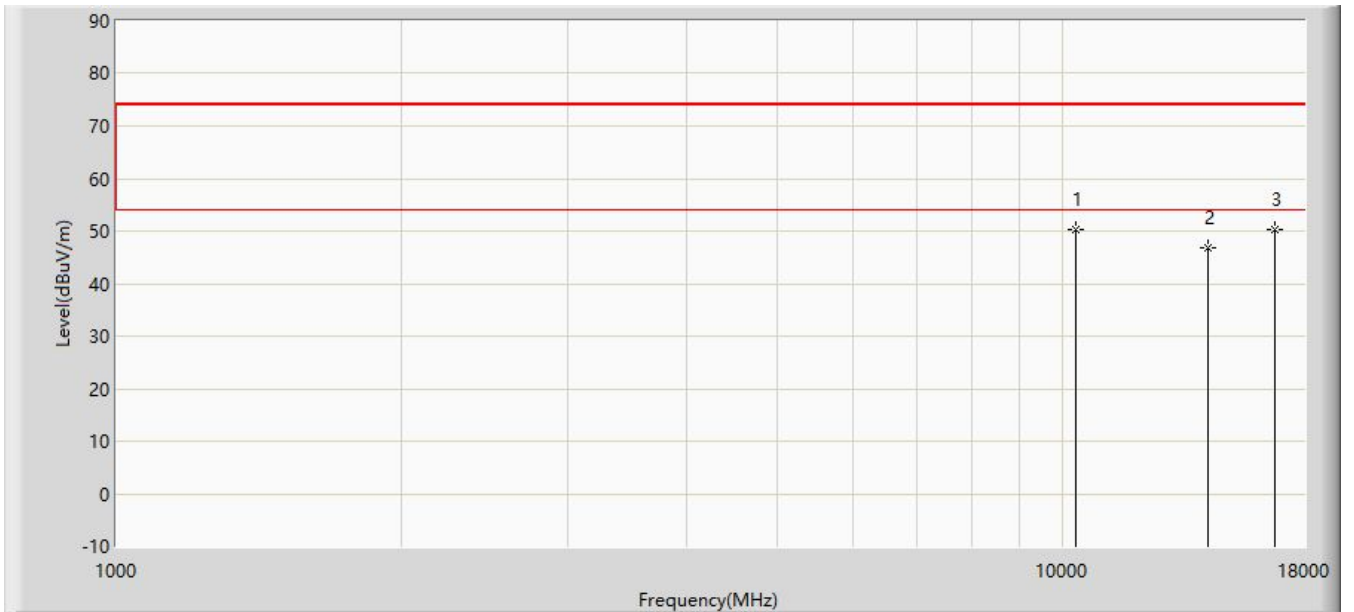
Note 1: Measure Level (dB μ V/m) = Reading Level (dB μ V) + Factor (dB/m)

Factor (dB/m) = Cable Loss (dB) + Antenna Factor (dB/m) - Pre_Amplifier Gain (dB)

Note 2: The amplitude of radiated emissions (frequency range from 18GHz to 40GHz) is that proximity to ambient noise, which also are attenuated more than 20 dB below the permissible value. Therefore, the data is not presented in the report.

Note 3: If the peak detected signals are below the average limit, then no further investigation of the average readings is required.

Site: SIP-AC1	Test Date: 2021/09/10
Limit: FCC_Part15.109_RE(3m)_Class B	Engineer: Kyrie Xie
Probe: SIP-AC1_HF907_102862_1-18GHz	Polarity: Vertical
EUT: HAN Access Point	Power: AC 120V/60Hz
Test Mode 1	



No	Flag	Mark	Frequency (MHz)	Measure Level (dBμV/m)	Reading Level (dBμV)	Margin (dB)	Limit (dBμV/m)	Factor (dB/m)	Type
1		*	10316.000	50.240	56.213	-23.760	74.000	-5.973	PK
2			14234.500	46.885	47.229	-27.115	74.000	-0.344	PK
3			16750.500	50.159	46.552	-23.841	74.000	3.607	PK

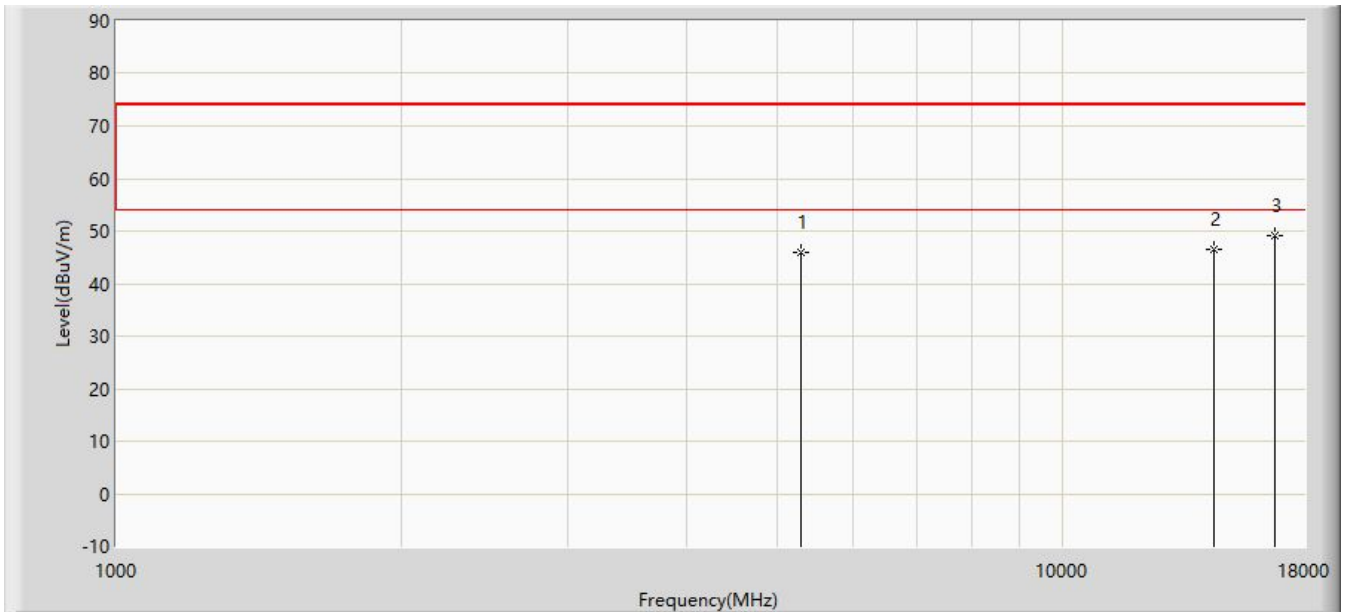
Note 1: Measure Level (dBμV/m) = Reading Level (dBμV) + Factor (dB/m)

Factor (dB/m) = Cable Loss (dB) + Antenna Factor (dB/m) - Pre_Amplifier Gain (dB)

Note 2: The amplitude of radiated emissions (frequency range from 18GHz to 40GHz) is that proximity to ambient noise, which also are attenuated more than 20 dB below the permissible value. Therefore, the data is not presented in the report.

Note 3: If the peak detected signals are below the average limit, then no further investigation of the average readings is required.

Site: SIP-AC1	Test Date: 2021/09/10
Limit: FCC_Part15.109_RE(3m)_Class B	Engineer: Kyrie Xie
Probe: SIP-AC1_HF907_102862_1-18GHz	Polarity: Horizontal
EUT: HAN Access Point	Power: By PoE
Test Mode 2	



No	Flag	Mark	Frequency (MHz)	Measure Level (dBμV/m)	Reading Level (dBμV)	Margin (dB)	Limit (dBμV/m)	Factor (dB/m)	Type
1			5292.500	46.035	56.471	-27.965	74.000	-10.436	PK
2			14438.500	46.572	46.654	-27.428	74.000	-0.082	PK
3		*	16759.000	49.211	45.722	-24.789	74.000	3.489	PK

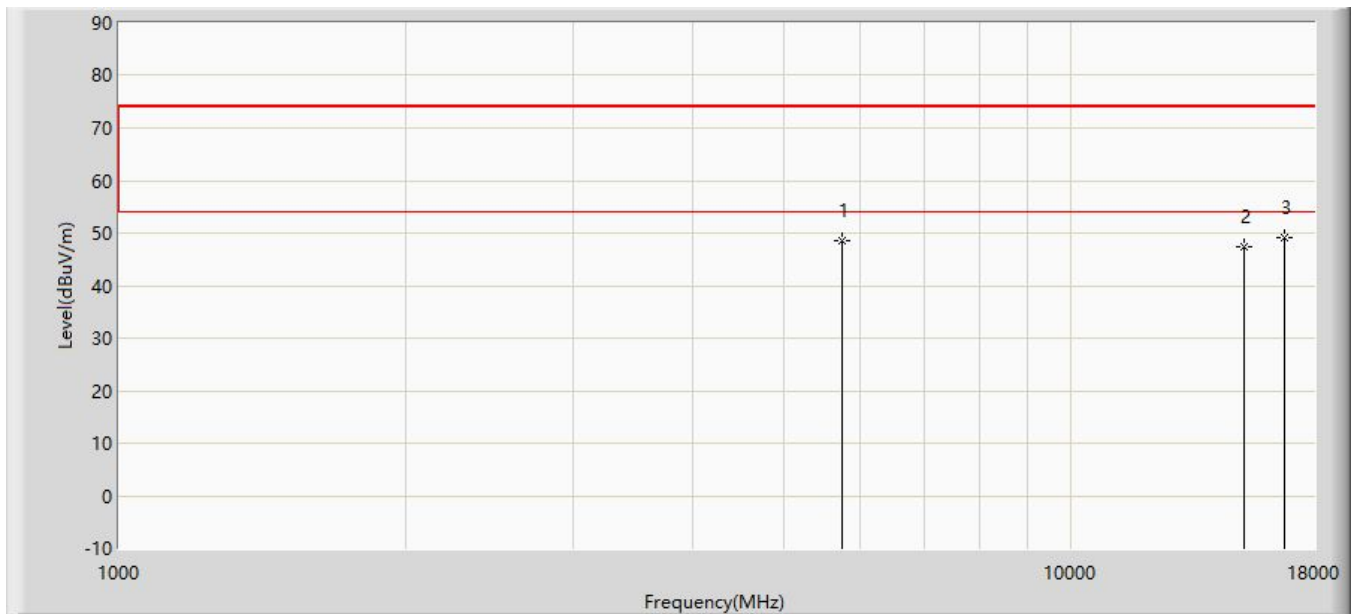
Note 1: Measure Level (dBμV/m) = Reading Level (dBμV) + Factor (dB/m)

Factor (dB/m) = Cable Loss (dB) + Antenna Factor (dB/m) - Pre_Amplifier Gain (dB)

Note 2: The amplitude of radiated emissions (frequency range from 18GHz to 40GHz) is that proximity to ambient noise, which also are attenuated more than 20 dB below the permissible value. Therefore, the data is not presented in the report.

Note 3: If the peak detected signals are below the average limit, then no further investigation of the average readings is required.

Site: SIP-AC1	Test Date: 2021/09/10
Limit: FCC_Part15.109_RE(3m)_Class B	Engineer: Kyrie Xie
Probe: SIP-AC1_HF907_102862_1-18GHz	Polarity: Vertical
EUT: HAN Access Point	Power: By PoE
Test Mode 2	



No	Flag	Mark	Frequency (MHz)	Measure Level (dB μ V/m)	Reading Level (dB μ V)	Margin (dB)	Limit (dB μ V/m)	Factor (dB/m)	Type
1			5751.500	48.638	58.898	-25.362	74.000	-10.260	PK
2			15203.500	47.260	46.646	-26.740	74.000	0.614	PK
3		*	16733.500	49.079	45.471	-24.921	74.000	3.609	PK

Note 1: Measure Level (dB μ V/m) = Reading Level (dB μ V) + Factor (dB/m)

Factor (dB/m) = Cable Loss (dB) + Antenna Factor (dB/m) - Pre_Amplifier Gain (dB)

Note 2: The amplitude of radiated emissions (frequency range from 18GHz to 40GHz) is that proximity to ambient noise, which also are attenuated more than 20 dB below the permissible value. Therefore, the data is not presented in the report.

Note 3: If the peak detected signals are below the average limit, then no further investigation of the average readings is required.

5. CONCLUSION

The data collected relate only the item(s) tested and show that the device has been tested to comply with the requirements specified in §15.107 and §15.109 of the FCC Rules.

The End

Appendix A - Test Setup Photograph

Refer to "2108RSU085-UT" file.

Appendix B - EUT Photograph

Refer to "AP331-EUT Photo" file.