

MZX870 Manual

Congratulations on your purchase and thank you for your use of our Bluetooth Active Noise Cancelling Headset. In order to start quickly, please read the user guide carefully.

Caution

1. Please turn off the headset and put it into box to avoid damage, scratches or bracket deformation when long time no use. In order to prolong the battery service life, please charge every 3 months.
2. Please charge at first if the headset is left unused for long time.
3. The battery of headset is original and please don't change it by yourself.
4. Please keep the headset under dry place.
5. Please don't put this product into the environment with temperature over than 60°C or into fire to avoid battery blast accident.
6. Please don't bent or twist the bracket to avoid deformation.
7. Please don't tear down ear-cushions by un-professional person.
8. Don't adjust the volume to a very high level and continued play. If tinnitus occurs, please turn the volume down or stop playing, do not turn the volume up suddenly. Please slowly turn up the volume to avoid hearing damage caused by high volume.
9. Do not use the headset in dangerous place or place where cannot hear the outside sound.

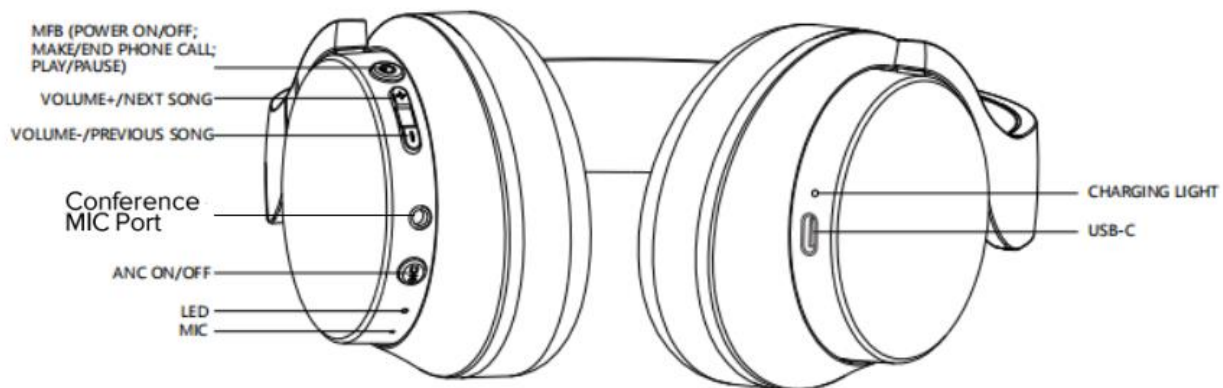
Included:

The headset contains the following parts:

Bluetooth Active Noise Cancelling Headset X 1

Manual X 1

USB-C Charging Cable X 1



Charge the Battery:

The headset contains a USB-C cable that can be connected to your computer or other device made for USB charging. Plug the USB-C end of the included USB cable into the USB-C port charger connector under the right ear-cap of the headphone. Plug the other end into a USB port on your computer or other devices made for USB charging. The indicator light will be red while charging. Once fully charged, the indicator light will turn off. Charge time is about 2-3 hours on an empty battery.

Active Noise Cancelling On:

Short Press ANC button. Green LED light will turn on. The ANC function is available at both Wired and Wireless condition.

Active Noise Cancelling Off:

Short Press ANC button. Green LED light will turn off. The ANC function must be switched off by manual

operation.

Bluetooth Switch On:

To switch on, press and hold the MFB about 2-3 seconds with voice prompt “ Welcome to Altec Lansing”, blue light on.

Bluetooth Switch Off:

To switch off, press and hold the MFB about 3 seconds, there will be a prompt tone : “Powering off”

Pairing:

1. Ensure that your phone or Bluetooth device is switched on.
2. To pair the headset if it has not been previously paired with a device, switch on the headset. The headset enters the pairing mode with 6 seconds, and the blue and red indicator light starts to flash and alternately quickly, there will be a prompt tone “ Welcome to Altec Lansing Pairing”. To pair the headset if it has been previously paired with another device, ensure that the previously paired device is switched off.
3. Activate the Bluetooth feature on your phone or Bluetooth devices, and set it to search for Bluetooth devices.
4. Select “ AL ComfortQ+ ” from the list of found devices on your phone or Bluetooth devices, there will be a prompt tone : “Connected ”
5. When successfully connected, the blue light turns to continuously lighting.

The headset that has been previously paired with another device will automatically connect with the device if the device is power on and within connecting range, if not, the headset will enter standby mode with continuously blue light.

Adjust the volume:

Turn the volume up or down by a short press on the volume +/- key during a call or while listening to music.

Application:

“ AL ComfortQ+ ” can make and receive calls hands-free with your compatible mobile phone and listen to music from a compatible Bluetooth device, but they should be with 10 meters (33 feet) of each other.

The headset is compliant with the Bluetooth Specification 5.3 support the following profiles: Headset Profile (HSP) V1.6, Hands-free Profile (HFP) V1.5, Advanced Audio Distribution Profile (A2DP) V1.0, and Audio Video Remote Control Profile (AVRCP) V1.4 input rating 5V DC, 0.5A

Calls:

To make a call, use your mobile phone in the normal way when the headset is connected to it. When a phone call comes in, quickly press the MFB to answer it, or press and hold about 1.5 seconds to reject the call. During a call, short press MFB to end it.

Siri / Google Function

To use Siri / Google function, quickly press MFB twice to activate the siri / google on your phone

This function is based on your phone support siri / google

Listen to Music:

To listen to music, connect the headset to phone or compatible Bluetooth devices that support A2DP Bluetooth profile. The available music functions depend on your Bluetooth devices. If you receive or make a call while listening to music, the music is paused until the call ends.

To play a song, select in the music player and press the Play/Pause key on the headset.

To pause or resume playing a song, press the Play/Pause key.

To select the next song during playback, press and hold the volume up key.

To select the previous song, press and hold the volume down key.

To increase the volume, press the volume up key quickly,

To decrease the volume, press the volume down key quickly. (Until Mute)

Disconnect the Headset:

To disconnect the headset from your device, switch off the headset, or disconnect it in Bluetooth menu of your device. There will be a prompt tone : “Disconnected ”

Reconnect the headset:

To connect the headset to the phone or Bluetooth devices that you have last used with it, switch on the headset, or make the connection in the Bluetooth menu of your device.

Low Battery Warning:

At power on condition, when battery voltage is lower than 3.2V, there will be a warning beep every 60 seconds.

Power-Off at Low Battery Condition:

At power on condition, when battery voltage is lower than 3.1V, the headset will switch off automatically.

Changes or modifications not expressly approved by the party responsible or compliance could void the user's authority to operate the equipment.

This device complies with Part 15 of the FCC Rules. Operation is subject to the following two conditions: (0) this device may not cause harmful interference, and (2) this device must accept any interference received, including interference that may cause undesired operation.

This equipment has been tested and found to comply with the limits for a Class B digital device, pursuant to Part 15 of the FCC Rules. These limits are designed to provide reasonable protection against harmful interference in a residential installation. This equipment generates, uses and can radiate radio frequency energy and, if not installed and used in accordance with the instructions, may cause harmful interference to radio communications. However, there is no guarantee that interference will not occur in a particular installation.

if this equipment does cause harmful interference to radio or television reception, which can be determined by turning the equipment off and on, the user is encouraged to try to correct the interference by one or more of the following measures:

- Reorient or relocate the receiving antenna.
- Increase the separation between the equipment and receiver
- Connect the equipment into an outlet on a circuit different from that to which the receiver is connected.
- Consult the dealer or an experienced radio/TV technician for help