

Wireless Noise Canceling Headphones

User's Guide for Model IAHP87 v1924-01



FCC Warnings

Warning: Changes or modifications to this unit not expressly approved by the party responsible for compliance could void the user's authority to operate the equipment.

NOTE: This equipment has been tested and found to comply with the limits for a Class B digital device, pursuant to Part 15 of the FCC Rules. These limits are designed to provide reasonable protection against harmful interference in a residential installation. This equipment generates, uses, and can radiate radio frequency energy and, if not installed and used in accordance with the instructions, may cause harmful interference to radio communications. However, there is no guarantee that interference will not occur in a particular installation. If this equipment does cause harmful interference to radio or television reception, which can be determined by turning the equipment off and on, the user is encouraged to try to correct the interference by one or more of the following measures:

- Reorient or relocate the receiving antenna.
- Increase the separation between the equipment and receiver.
- Connect the equipment into an outlet on a circuit different from that to which the receiver is connected.
- Consult the dealer or an experienced radio/TV technician for help.

Additional Warnings and Precautions

- To avoid hearing damage, make sure that the volume on your music player is turned down before connecting your headphones. After placing headphones in/on your ears, gradually turn up the volume until you reach a comfortable listening level.
- Lithium batteries, like all rechargeable batteries, are recyclable and should be recycled or disposed of according to state and local guidelines. They should never be disposed of in normal household waste, and they should never be incinerated, as they might explode. Contact your local government for disposal or recycling practices in your area.
- WARNING: This product may contain chemicals known to the State of California to cause birth defects, or other reproductive harm (California Prop 65). Wash hands after handling.
- This product meets and complies with all Federal regulations.

Overview

Features

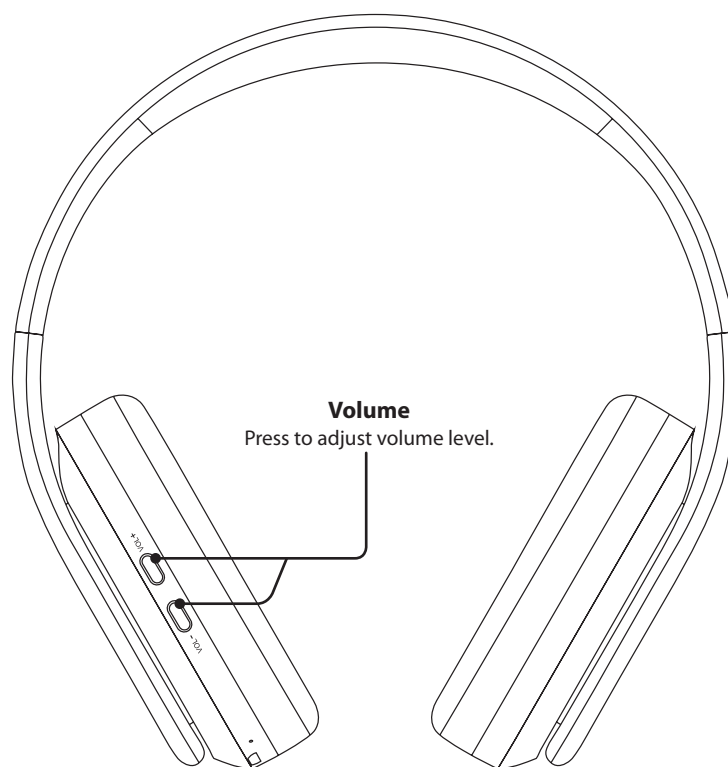
- Supports Bluetooth
- Wireless range: 33 feet
- Built-in microphone
- Aux in (3.5mm audio input)
- Folding adjustable headband
- On-ear controls

- Voice prompts announce headphone operations
- DC battery power: built-in rechargeable lithium ion battery
- Micro-USB port for battery recharge
- Battery life: approx. 8 hours

Includes

- Micro-USB to USB charging cable
- 3.5mm audio cable
- 3.5mm female to 2 x 3.5mm male audio adapter
- Travel case

STATUS	INDICATOR
Power ON	Flashing blue light
Charging Battery	Solid red light
Charging Complete	No light
Pairing Bluetooth	Flashing red/blue lights
Pairing Complete	Flashing blue light
Noise Canceling ON	Solid green light
Noise Canceling OFF	Green light OFF



MAIN CONTROL
PRESS RIGHT SIDE FOR

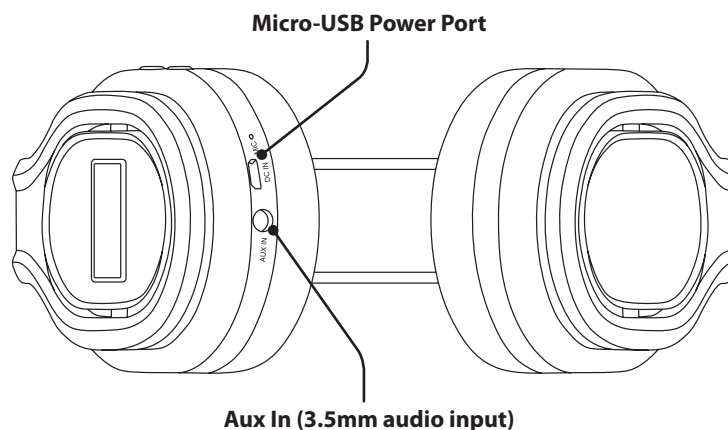
Noise Canceling

Press to turn ON or OFF.

MAIN CONTROL
PRESS LEFT SIDE FOR

Power/Pair/Play/Pause/ Speakerphone

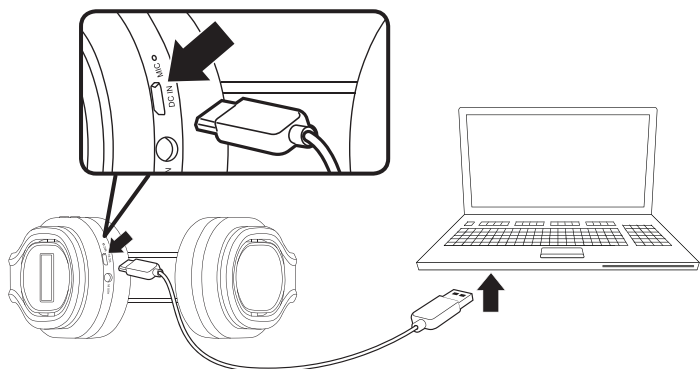
Press and hold for approx. 5 sec. to power ON and begin pairing.
Press and hold to power ON or OFF.
Press to play or pause audio.
Press to answer incoming call.



Charging the Battery

Requires a Micro-USB to USB cable (included). The low battery indicator will flash for 1 minute, then the unit will automatically power OFF.

1. Using a **Micro-USB to USB** cable (included), connect the headphones to the USB port of a powered on computer or USB power adaptor (not included).



Noise Canceling

The Noise Canceling feature will electronically mute background noise. It can be used with the Bluetooth or Aux In modes to enhance the quality of any music or audio that is playing through the headphones.

Noise Canceling mode will function even if the headphones are not powered ON. To conserve battery power, it is recommended to power the headphones OFF if you want to use the Noise Canceling feature without playing audio.

1. To activate noise cancelling, press the **right side** of the **Main Control button**. A green LED light in the button will turn ON.
2. To deactivate noise cancelling, press the **right side** of the **Main Control button** again. The green LED light in the button will turn OFF.

Bluetooth Wireless Audio

Pairing to a Device and Playing Audio

After initial pairing, the unit will stay paired unless unpaired manually by the user, or erased due to a reset of the device. If your device should become unpaired or you find it is unable to connect, repeat the steps listed here.

1. Press and hold the **left side** of the **Main Control button** for approximately **5 seconds** to power ON and begin pairing. LED lights in the button will begin flashing red and blue. *When pairing, remain within 3 feet of the unit.*
2. Using the controls on your Bluetooth device, select the **IAHP87** in your Bluetooth settings/device menu. If your device requests a password, enter the default password **0000**. *If need be, refer to the user's manual for your specific device for instructions on pairing and connecting Bluetooth devices.*
3. When successfully paired, the LED lights will only flash blue and a chime will sound through the unit. Audio played through the connected Bluetooth device should now be heard through the headphones.
4. Use the controls on your Bluetooth device to select and begin playing audio. To play or pause audio using the headphone controls, press the **left side** of the **Main Control button**.

Using the Speakerphone

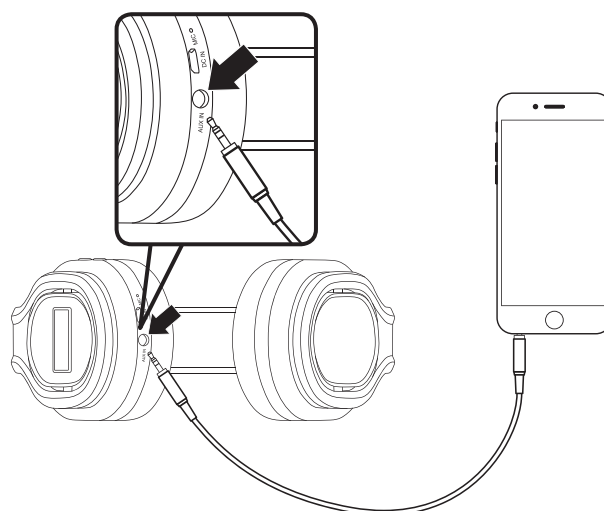
1. When a call is received, a ringtone will sound through the unit.
2. To accept the call, press the **left side** of the **Main Control button**, or use the controls on the connected phone.
3. To call back, double press the **left side** of the **Main Control button**.

Aux In

Aux In mode will function even if the headphones are not powered ON. To conserve battery power, keep them powered OFF when using Aux In.

Requires a 3.5mm audio cable (included).

1. Connect a 3.5mm audio cable to the **Aux In** on the unit and the **audio output** on an audio device.
2. Use the controls on the connected device to select and play audio.



International Support

To download this User's Guide in English, Spanish, or French, or to get answers to frequently asked questions, visit the support section at: www.iLiveElectronics.com

Para descargar este Manual del Usuario en inglés, español y francés, o para obtener respuestas a preguntas frecuentes, visite la sección de apoyo en: www.iLiveElectronics.com

Pour télécharger ce guide de l'utilisateur en anglais, espagnol ou français, ou pour obtenir des réponses à des questions fréquemment posées, consultez la rubrique d'assistance sur: www.iLiveElectronics.com

For Warranty Information and the most up-to-date version of this User's Guide, go to www.iLiveElectronics.com

Customer Service: 1-888-999-4215 | **Email Support:** prodinfo@dpiinc.com | **Email Parts:** partsinfo@dpiinc.com

Copyright © 2017 Digital Products International (DPI, Inc.) All other trademarks appearing herein are the property of their respective owners. Specifications are subject to change without notice.



FCC Statement

This equipment has been tested and found to comply with the limits for a Class B digital device, pursuant to Part 15 of the FCC Rules. These limits are designed to provide reasonable protection against harmful interference in a residential installation. This equipment generates uses and can radiate radio frequency energy and, if not installed and used in accordance with the instructions, may cause harmful interference to radio communications. However, there is no guarantee that interference will not occur in a particular installation. If this equipment does cause harmful interference to radio or television reception, which can be determined by turning the equipment off and on, the user is encouraged to try to correct the interference by one or more of the following measures:

- Reorient or relocate the receiving antenna.
- Increase the separation between the equipment and receiver.
- Connect the equipment into an outlet on a circuit different from that to which the receiver is connected.
- Consult the dealer or an experienced radio/TV technician for help.

This device complies with part 15 of the FCC Rules. Operation is subject to the following two conditions:(1) This device may not cause harmful interference, and (2) this device must accept any interference received, including interference that may cause undesired operation.

Changes or modifications not expressly approved by the party responsible for compliance could void the user's authority to operate the equipment.

The device has been evaluated to meet general RF exposure requirement. The device can be used in portable exposure condition without restriction.