

WIRELESS USE INSTRUCTION

Change the mode into "OPEN", the wireless sign light twinkles, and speaker have sound "di". Set on mobile phone, connect to wireless data, search equipment and match properly. The proper connect wireless lights keep on, and music work on speaker normally.

CONNECTING

1. This set applies to AC 110V, 50/60Hz
2. AC power: battery can be charged when connected to AC power. Red light on battery is charging, it will change to green once battery complete charge.
3. Internal battery will be charged even device switch off when plugged in to AC power
4. Speaker battery can be charged using 12V external car battery as well(connect cable not included) by "DC 12V input". Please make sure "+" and "-" in right connection.
5. Adjust function keys to your personal audio preference.

BATTERY & CHARGING

1. The units takes approximately 8 hours to fully charge. It will automatically begin charging once the power cord is connected.
2. If the battery power is low may caused sound distortion or stop play, please charging the battery on time.
3. To maximize the battery's lifespan, please charging the battery immediately. When the unit is not used for prolonged periods of time, the battery will gradually lose its power. It is recommended to fully charge the battery at least every 30days.
4. To saving battery, please power off once stop using.

FCC WARNING

This device complies with Part 15 of the FCC Rules. Operation is subject to the following two conditions:
 (1) This device may not cause harmful interference, and
 (2) This device must accept any interference received, including interference that may cause undesired operation.

NOTE 1: This equipment has been tested and found to comply with the limits for a Class B digital device, pursuant to part 15 of the FCC Rules. These limits are designed to provide reasonable protection against harmful interference in a residential installation. This equipment generates, uses and can radiate radio frequency energy and, if not installed and used in accordance with the instructions, may cause harmful interference to radio communications. However, there is no guarantee that interference will not occur in a particular installation. If this equipment does cause harmful interference to radio or television reception, which can be determined by turning the equipment off and on, the user is encouraged to try to correct the interference by one or more of the following measures:
 - Reorient or relocate the receiving antenna.
 - Increase the separation between the equipment and receiver.
 - Connect the equipment into an outlet on a circuit different from that to which the receiver is connected.
 - Consult the dealer or an experienced radio/TV technician for help.

NOTE 2: Any changes or modifications to this unit not expressly approved by the party responsible for compliance could void the user's authority to operate the equipment.



USER MANUAL



MPD121L
MPD151L

MPD12EQ

MPD15EQ

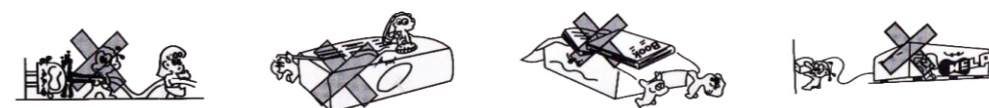
SPEAKER

PLEASE READ THIS USER MANUAL CAREFULLY BEFORE SYSTEM CONNECT

MADE IN CHINA

IMPORTANT SAFETY MEASURES

Before using this machine, please read all the safety and operating instructions, meanwhile, please observe all the indications about safe operating. These safety and operating instructions should be kept in condition of consultation.



1. Protection of electric power supply line: Be aware that the electric power supply line is not trapped, pressed by heavy objects. Pay special attention to the plug of power supply line and outlet on the machine. DO NOT lengthen the electric shock, DO NOT pull or drag or the power supply line.
2. Ventilation: This set must be put in ventilated place. DO NOT put disk on it or cloth to cover it. The distance away from the wall should not be less than 10 centimeters. DO NOT put this set on the bed, sofa, carpet or other objects with similar surface in case of good ventilation.
3. Casing Dismantling: DO NOT dismantle the casing. If one touches the inner components, he will probably get serious electric shock.
4. Unusual smell: When you discover unusual smell and smoke, cut power supplies immediately and pulls out the plus from the outlet on the wall. Contact the sell shop or nearest repairing center.

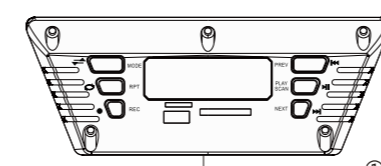
Attention: This set applies to AC 120V / 50Hz~60Hz power supply. Use standard power supply. Please be sure for te correct power supply before use it.

PRODUCT FEATURES

- Wireless
- Plays songs stored in external audio device.
- Guitar input •Microphone inputs
- Wired microphone included •With remote control
- Built-in rechargeable battery •Super dynamic sound speaker
- X-Bass is powerful

REAR PANEL FUNCTION INSTRUCTION

MPD121L & MPD151L FRONT PANEL FUNCTION



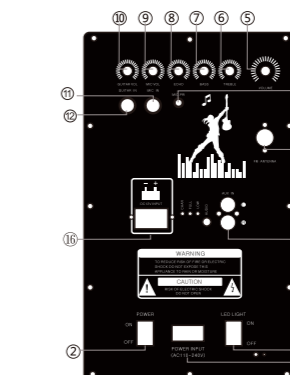
- MODE:** MODE SELECT
REC: RECORD: INSERT THE USB MEMORY/SD CARD AND PRESS THIS BUTTON TO START RECORDING. PRESSING THE BUTTON AGAIN STOPS RECORDING.
RPT: REPEAT
PREV ◀ : PLAY/PAUSE; FM STATION AUTO SEARCHING
PLAY ▶ : PREVIOUS
NEXT ▶▶ : NEXT

REMOTE CONTROL



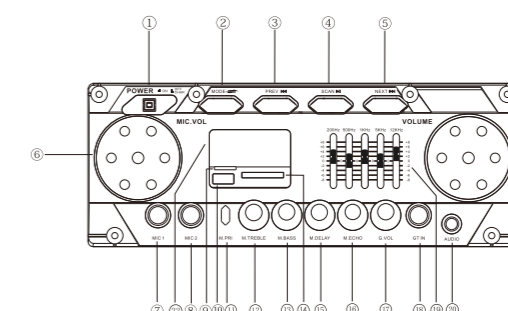
- 1 Standby
- 2 LINE (Audio input)
- 3 Prev/FM CH-
- 4 Play/pause/FM tuner
- 5 Next/FM CH+
- 6 Repeat
- 7 Stop
- 8 Volume up
- 9 Volume down
- 0 Mute
- 1 Equalizer
- 2-9 Number

MPD121L & MPD151L REAR PANEL FUNCTION



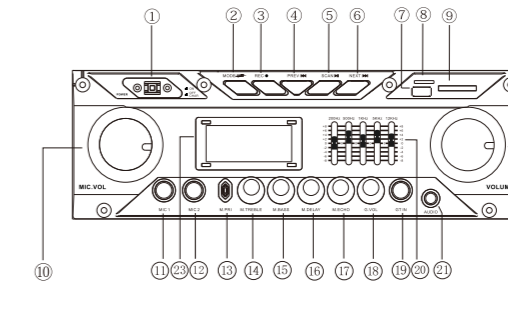
- 1 **POWER:** POWER ON/OFF SWITCH
- 2 **POWER INPUT:** 110-240V, 50/60Hz
- 3 **LED LIGHT:** ON/OFF SWITCH
- 4 **VOLUME:** ADJUST THE MASTER VOLUME
- 5 **TREBLE:** ADJUST THE TREBLE VOLUME
- 6 **BASS:** ADJUST THE BASS VOLUME
- 7 **ECHO:** ADJUST THE ECHO
- 8 **MIC VOLUME:** ADJUST THE MICROPHONE VOLUME
- 9 **GUITAR VOLUME:** ADJUST THE GUITAR VOLUME
- 10 **MIC IN:** WIRED MICROPHONE INPUT
- 11 **GUITAR IN:** GUITAR INPUT
- 12 **MIC PRI:** MICROPHONE PRIORITY ON/OFF SWITCH
- 13 **FM ANTENNA**
- 14 **DC 12V INPUT:** 12V EXTERNAL INPUT
- 15 **AUX IN:** AUDIO INPUT

MPD12EQ



- 1 **POWER** ON/OFF SWITCH
- 2 **MODE** ◀ : MODE SELECT
- 3 **PREV** ◀ : PREVIOUS
- 4 **SCAN** ▶▶ : PLAY/PAUSE
- 5 **NEXT** ▶▶ : NEXT
- 6 **MIC VOL** MICROPHONE VOLUME ADJUST
- 7 **MIC.1** MICROPHONE INPUT JACK 1
- 8 **MIC.2** MICROPHONE INPUT JACK 2
- 9 10 **CARD** INPUT
- 11 **M. PRI** MICROPHONE PRORITY ON/OFF SWITCH
- 12 **M. TREBLE** TREBLE ADJUST
- 13 **M. BASS** BASS ADJUST
- 14 **M. DELAY** DELAY ADJUST
- 15 **M. ECHO** ECHO ADJUST
- 16 **G. VOL** GUITAR VOLUME ADJUST
- 17 **GT. IN** GUITAR INPUT JACK
- 18 **EQUALIZER**
- 19 **AUDIO** INPUT
- 20 **VOLUME** MASTER VOLUME ADJUST
- 21 **DISPLAY SCREEN**

MPD15EQ



- 1 **POWER** ON/OFF SWITCH
- 2 **MODE** ◀ : MODE SELECT
- 3 **REC** RECORDING FUNCTION
INSERT THE USB MEMORY/SD CARD AND PRESSTHIS BUTTON TO START RECORDING. PRESSING THE BUTTON AGAIN STOPS RECORDING
- 4 **PREV** ◀ : PREVIOUS
- 5 **SCAN** ▶▶ : PLAY/PAUSE
- 6 **NEXT** ▶▶ : NEXT
- 7 8 9 **CARD** INPUT
- 10 **MIC VOL** MICROPHONE VOLUME ADJUST
- 11 **MIC.1** MICROPHONE INPUT JACK 1
- 12 **MIC.2** MICROPHONE INPUT JACK 2
- 13 **M. PRI** MICROPHONE PRORITY ON/OFF SWITCH
- 14 **M. TREBLE** TREBLE ADJUST
- 15 **M. BASS** BASS ADJUST
- 16 **M. DELAY** DELAY ADJUST
- 17 **M. ECHO** ECHO ADJUST
- 18 **G. VOL** GUITAR VOLUME ADJUST
- 19 **GT. IN** GUITAR INPUT JACK
- 20 **EQUALIZER**
- 21 **AUDIO** INPUT
- 22 **VOLUME** MASTER VOLUME ADJUST
- 23 **DISPLAY SCREEN**