

Datasheet

产品名称 (Product): HOLYIOT-18039-nrf52840

产品型号 (Model No.): 18039

目录

1. Overview.....	3
1.1. Application.....	3
1.2. Specifications.....	4
2. Introduction.....	5
2.1 Programmer.....	5
2.2 Software development Tool.....	5
2.3 Protocols.....	5
Software Development Kit.....	5
2.4 SoftDevices.....	6
3. Product Descriptions.....	6
3.1 Mechanical drawings.....	6
3.2 Pin assignments.....	7
4. Mounting our board on the host PCBA.....	9
5. Miscellaneous.....	10
6. Absolute maximum ratings.....	10
7. List of Holyiot module.....	11

1. Overview

Holyiot-18039 is powerful, highly flexible ultra-low power Bluetooth low energy (BLE) module using Nordic NRF52840 SoC, with ARM Cortex-M4 CPU, which has floating Point unit (FPU), 1MB flash with cache and 256kB RAM. It offers a wealth of peripherals that include NFC, USB and multiple interface options including Quad SPI (QSPI).

It has high-end security features included to achieve best in class security with an ARM CryptoCell cryptographic system on chip and a full AES 128-bit encryption suite, it supports BLE mesh

Bluetooth 5.0 long range

Processing power and flash flexibility

Multiprotocol radio

Power Efficiency

Model	18039
Chip	nRF52840 QIAACO
Size	22.30mm(L)*15.50mm(W)*1.60mm(H)
BLE Antenna	PCB & IPX Antenna
BT Range	500 meters for bluetooth 5.0
FCC ID	2ALGY-18039

1.1. Application

- Internet of Things (IoT)
- SmartHome sensors
- Computer peripherals
- A4WP 'Rezence' wireless charging
- Sports and fitness sensors and hubs
- Smart watches
- Interactive games
- Wearables
- Connected white goods
- Voice-command smart remotes
- Beacons
- Connected health products
- RC Toys
- Building automation and sensor networks

1.2. Specifications

- Bluetooth 5 ready multi-protocol radio
 - 2Mbps
 - Long range
 - Advertising extensions
 - Improved coexistence (CSA #2)
- IEEE 802.15.4 radio support
 - Thread
 - Zigbee
- 32-bit ARM Cortex-M4F @ 64MHz
- Up to 111 dB link budget for Bluetooth long range mode
- Full-speed 12Mbs USB controller
- NFC Tag-A
- Software stacks available as downloads
- Programmable output power from +8dBm to -20dBm
- On-air compatible with nRF51, nRF24L and nRF24AP
- Series
- High-precision RSSI
- 128 bit AES/ECB/CCM/AAR co-processor
- Single-ended antenna output (on-chip balun)
- Software stacks available as downloads
- Application development independent of protocol stack
- Wide supply voltage range + 1.7V to 5.5V
- QSPI/SPI/2-wire/I²S/PDM/QDEC
- Programmable Peripheral Interface - PPI
- High speed SPI interface 32MHz
- Quad SPI interface 32MHz
- EasyDMA for all digital interfaces
- RAM mapped FIFO using EasyDMA
- 12bit/200K SPS ADC
- On-chip DC-DC buck converter
- Quadrature demodulator
- -96dBm Sensitivity for Bluetooth low energy
- Arm CryptoCell CC310 cryptographic security module
- QSPI/SPI/2-wire/I²S/PDM/QDEC

2. Introduction

Holyiot-18039 is powerful, highly flexible ultra-low power Bluetooth low energy (BLE) module using Nordic NRF52840 SoC, with ARM Cortex-M4 CPU, which has floating Point unit (FPU), 1MB flash with cache and 256kB RAM. It offers a wealth of peripherals that include NFC, USB and multiple interface options including Quad SPI (QSPI).

It has high-end security features included to achieve best in class security with an ARM CryptoCell cryptographic system on chip and a full AES 128-bit encryption suite.

2.1 Programmer

Holyiot-18039 module use the Serial Wire Debug(SWD port), the module which layout the SWDIO, SWCLK, VDD, GND for debug and flash your own firmware, more info about the SWD, please visit https://www.silabs.com/community/mcu/32-bit/knowledge-base.entry.html/2014/10/21/serial_wire_debugs-qKCT

You can using the Jlink or Jtag for programmer.

2.2 Software development Tool

It supports the standard Nordic Software Development Tool-chain using Segger Embedded Studio, Keil, IAR and GCC. More info please visit

http://infocenter.nordicsemi.com/index.jsp?topic=/com.nordic.infocenter.nrf52/dita/nrf52/development/nrf52_dev_kit.html&cp=1_1

2.3 Protocols

This module support Bluetooth 5, Bluetooth Low Energy,Bluetooth mesh,Thread,802.15.4,ANT, 2.4GHz proprietary. So we can use different protocols for different situations.

Software Development Kit

Nordic Semiconductor's Software Development Kits (SDK) are your starting point for software development on the nRF51 and nRF52 Series. It contains source code libraries and example applications covering wireless functions, libraries for all peripherals, bootloaders, wired and OTA FW upgrades, RTOS examples, serialization libraries.

More info please visit <http://www.nordicsemi.com/eng/Products/nRF52840-DK>

You can also download the SDK for coding development .

2.4 SoftDevices

Nordic Semiconductor protocol stacks are known as SoftDevices. SoftDevices are pre-compiled, pre-linked binary files. SoftDevices can be programmed in nRF5 series devices, and are freely downloadable from the Nordic website. Please download that here:

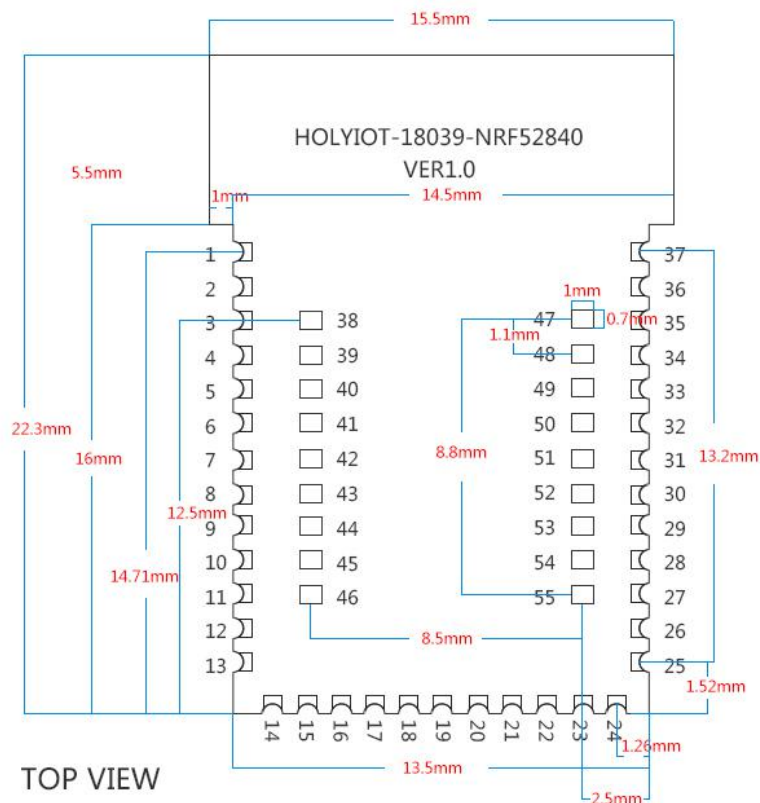
http://www.nordicsemi.com/eng/nordic/download_resource/60625/19/19221576/116072

Over-The-Air DFU

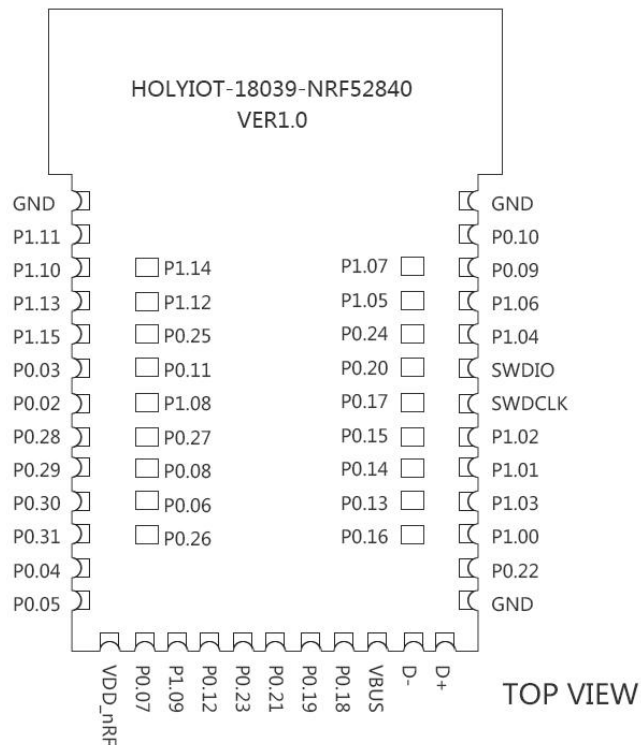
The SoC is supported by an Over-The-Air Device Firmware Upgrade (OTA DFU) feature. This allows for in the field updates of application software and SoftDevice.

3. Product Descriptions

3.1 Mechanical drawings



3.2 Pin assignments



PIN No.	PIN define	Functions
1	GND	Ground
2	P1.11	Digital I/O Trace data
3	P1.10	Digital I/O
4	P1.13	Digital I/O
5	P1.15	Digital I/O
6	P0.03	Digital I/O Analog input
7	P0.02	Digital I/O Analog input
8	P0.28	Digital I/O Analog input
9	P0.29	Digital I/O Analog input
10	P0.30	Digital I/O Analog input
11	P0.31	Digital I/O Analog input
12	P0.04	Digital I/O Analog input
13	P0.05	Digital I/O Analog input
14	VDD-nRF	VDD (3.9v max)
15	P0.07	Digital I/O Trace clock
16	P1.09	Digital I/O Trace data

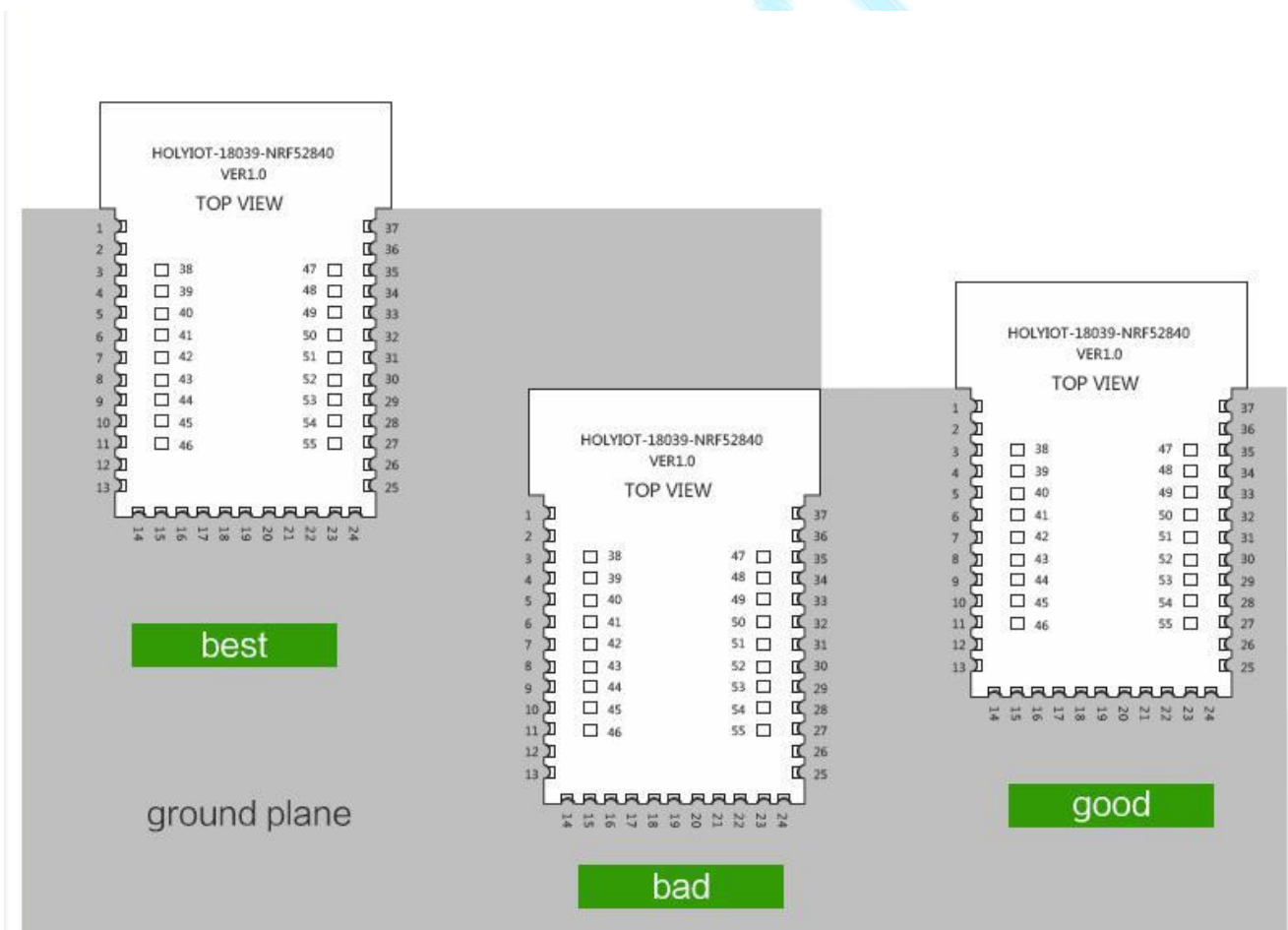
17	P0.12	Digital I/O Trace data
18	P0.23	Digital I/O
19	P0.21	Digital I/O
20	P0.19	Digital I/O
21	P0.18	Digital I/O
22	VBUS	Power (5.8v max)
23	D-	Digital I/O
24	D+	Digital I/O
25	GND	Ground
26	P0.22	Digital I/O
27	P1.00	Digital I/O
28	P1.03	Digital I/O
29	P1.01	Digital I/O
30	P1.02	Digital I/O
31	SWDCLK	SWD for debug and programming
32	SWDIO	SWD for debug and programming
33	P1.04	Digital I/O
34	P1.06	Digital I/O
35	P0.09	Digital I/O NFC input
36	P0.10	Digital I/O NFC input
37	GND	Ground
38	P1.14	Digital I/O
39	P1.12	Digital I/O
40	P0.25	Digital I/O
41	P0.11	Digital I/O
42	P1.08	Digital I/O
43	P0.27	Digital I/O
44	P0.08	Digital I/O
45	P0.06	Digital I/O
46	P0.26	Digital I/O
47	P1.07	Digital I/O
48	P1.05	Digital I/O
49	P0.24	Digital I/O
50	P0.20	Digital I/O
51	P0.17	Digital I/O
52	P0.15	Digital I/O
53	P0.14	Digital I/O

54	P0.13	Digital I/O
55	P0.16	Digital I/O

4. Mounting our board on the host PCBA

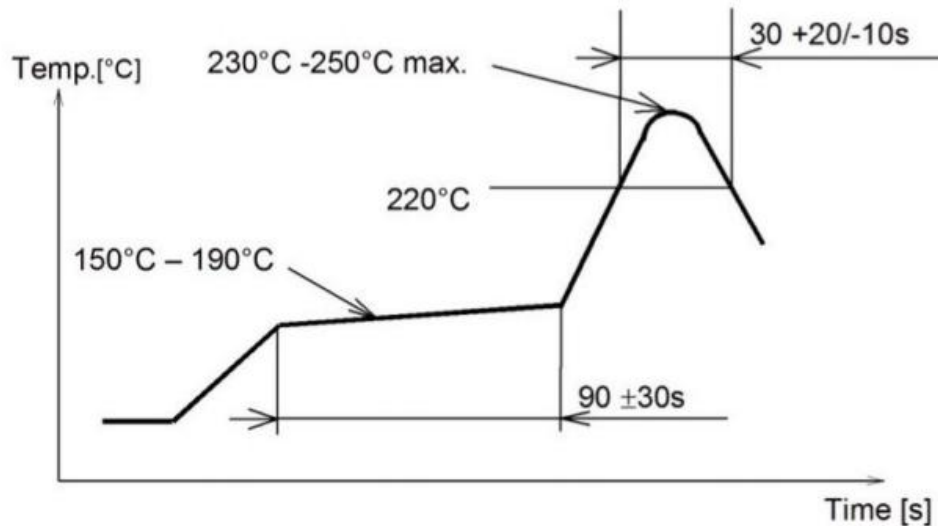
We suggest that you mount our RF board(Holyiot-18039-nRF52840) on the board like that:

1. For the best Bluetooth performance, the antenna of the area need to extend about several mm without ground under the antenna of the edge of the host PCB.
2. The second choice is that place our board at the corner of host PCB, the antenna of board need to extend several mm outside of the Ground plane of the host PCB.



5. Miscellaneous

Soldering Temperature-Time Profile for Re-Flow Soldering. Maximum number of cycles for re-flow is 2. No opposite side re-flow is allowed due to module weight.



6. Absolute maximum ratings

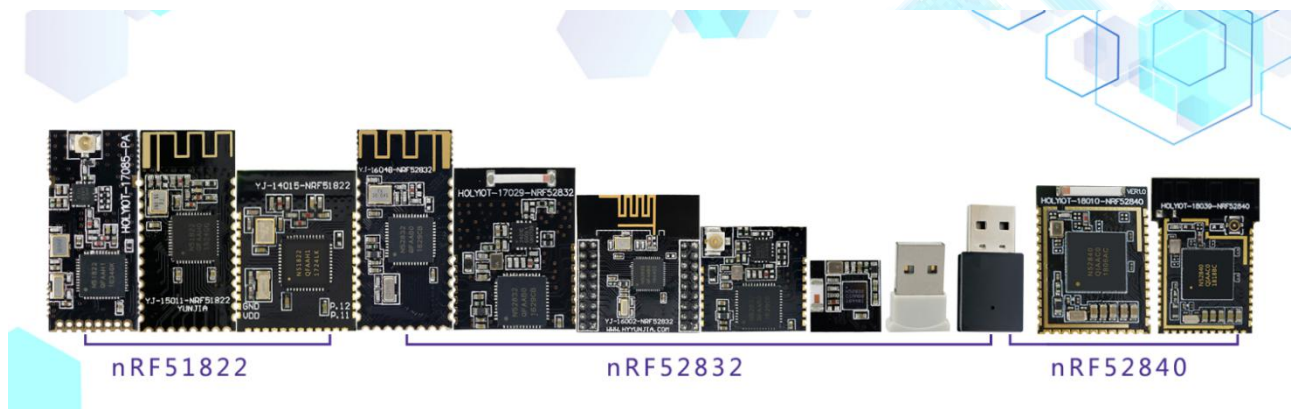
Maximum ratings are the extreme limits to which the chip can be exposed for a limited amount of time without permanently damaging it. Exposure to absolute maximum ratings for prolonged periods of time may affect the reliability of the device.







Absolute maximum ratings:

	Note	Min.	Max.	Unit
Supply voltages				
VDD		-0.3	+3.9	V
VDDH		-0.3	+5.8	V
VBUS		-0.3	+5.8	V
VSS			0	V
I/O pin voltage				
V _{I/O} , VDD ≤ 3.6 V		-0.3	VDD + 0.3 V	V
V _{I/O} , VDD > 3.6 V		-0.3	3.9 V	V
NFC antenna pin current				
I _{NFC1/2}			80	mA
Radio				
RF input level			10	dBm
Environmental (AQFN package)				
Storage temperature		-40	+125	°C
MSL	Moisture Sensitivity Level		2	
ESD HBM	Human Body Model		4	kV
ESD CDM _{QF}	Charged Device Model		750	V
	(AQFN73, 7×7 mm package)			
Flash memory				
Endurance		10 000		Write/erase cycles
Retention		10 years at 40°C		





7. List of Holyiot module



Part No.	Nordic chip	Holyiot No.	PA	Antenna	Picture
1	nRF51822	Holyiot-17085-PA	✓	IPX antenna	 
2	nRF51822	YJ-15011-nRF51822	×	PCB antenna	 
3	nRF51822	YJ-14015-nRF51822	×	PCB antenna	 

4	nRF52832	YJ-16048-nRF52832	×	PCB antenna	 
5	nRF52832	YJ-17029-nRF52832	✓	Ceramic antenna	 
6	nRF52832	YJ-16002-nRF52832	×	PCB antenna	 
7	nRF52832	YJ-17024-nRF52832	✓	IPX antenna	 
8	nRF52832	YJ-17095-nRF52832	×	Ceramic antenna	 
9	nRF52832	YJ-17017-USB	×	Ceramic antenna	 
10	nRF52832	YJ-17076-USB	×	PCB antenna	 
11	nRF52840	YJ-17120-USB	×	PCB antenna	 

12	nRF52840	YJ-18010-nRF52840	×	Ceramic antenna	 holyiot
13	nRF52840	YJ-18039-nRF52840	×	IPX antenna & PCB antenna	 holyiot

holyiot

FCC WARNING

FCC Caution: Any changes or modifications not expressly approved by the party responsible for compliance could void the user's authority to operate this equipment.

This device complies with Part 15 of the FCC Rules.

Operation is subject to the following two conditions: (1) This device may not cause harmful interference, and (2) this device must accept any interference received, including interference that may cause undesired operation.

This device and its antenna(s) must not be co-located or operating in conjunction with any other antenna or transmitter.

15.105 Information to the user.

(b) For a Class B digital device or peripheral, the instructions furnished the user shall include the following or similar statement, placed in a prominent location in the text of the manual:

Note: This equipment has been tested and found to comply with the limits for a Class B digital device, pursuant to part 15 of the FCC Rules. These limits are designed to provide reasonable protection against harmful interference in a residential installation. This equipment generates, uses and can radiate radio frequency energy and, if not installed and used in accordance with the instructions, may cause harmful interference to radio communications. However, there is no guarantee that interference will not occur in a particular installation. If this equipment does cause harmful interference to radio or television reception, which can be determined by turning the equipment off and on, the user is encouraged to try to correct the interference by one or more of the following measures:

- Reorient or relocate the receiving antenna.
- Increase the separation between the equipment and receiver.
- Connect the equipment into an outlet on a circuit different from that to which the receiver is connected.
- Consult the dealer or an experienced radio/TV technician for help.

This equipment complies with FCC radiation exposure limits set forth for an uncontrolled environment. This equipment should be installed and operated with minimum distance 20

cm between the radiator and your body.

Radiation Exposure Statement:

This equipment complies with FCC radiation exposure limits set forth for an uncontrolled environment.

This transmitter must not be co-located or operating in conjunction with any other

antenna or transmitter.

The availability of some specific channels and/or operational frequency bands are country dependent and are firmware programmed at the factory to match the intended destination.

The firmware setting is not accessible by the end user.

The final end product must be labelled in a visible area with the following:

“Contains Transmitter Module “2ALGY-18039”

Requirement per KDB996369 D03

2.2 List of applicable FCC rules

List the FCC rules that are applicable to the modular transmitter. These are the rules that specifically establish the bands of operation, the power, spurious emissions, and operating fundamental frequencies. DO NOT list compliance to unintentional-radiator rules (Part 15 Subpart B) since that is not a condition of a module grant that is extended to a host manufacturer. See also Section 2.10 below concerning the need to notify host manufacturers that further testing is required.³

Explanation: This module meets the requirements of FCC part 15C (15.247). It specifically identified AC Power Line Conducted Emission, Radiated Spurious emissions, Band edge and RF Conducted Spurious Emissions, Conducted Peak Output Power, Bandwidth, Power Spectral Density, Antenna Requirement.

2.3 Summarize the specific operational use conditions

Describe use conditions that are applicable to the modular transmitter, including for example any limits on antennas, etc. For example, if point-to-point antennas are used that require reduction in power or compensation for cable loss, then this information must be in the instructions. If the use condition limitations extend to professional users, then instructions must state that this information also extends to the host manufacturer's instruction manual. In addition, certain information may also be needed, such as peak gain per frequency band and minimum gain, specifically for master devices in 5 GHz DFS bands.

Explanation: The product antenna uses an irreplaceable antenna with a gain of 1dBi

2.4 Single Modular

If a modular transmitter is approved as a "Single Modular," then the module manufacturer is responsible for approving the host environment that the Single Modular is used with. The manufacturer of a Single Modular must describe, both in the filing and in the installation instructions, the alternative means that the Single Modular manufacturer uses to verify that the host meets the necessary requirements to satisfy the module limiting conditions.

A Single Modular manufacturer has the flexibility to define its alternative method to address the conditions that limit the initial approval, such as: shielding, minimum signaling amplitude, buffered modulation/data inputs, or power supply regulation. The alternative method could include that the limited

module manufacturer reviews detailed test data or host designs prior to giving the host manufacturer approval.

This Single Modular procedure is also applicable for RF exposure evaluation when it is necessary to demonstrate compliance in a specific host. The module manufacturer must state how control of the product into which the modular transmitter will be installed will be maintained such that full compliance of the product is always ensured. For additional hosts other than the specific host originally granted with a limited

module, a Class II permissive change is required on the module grant to register the additional host as a specific host also approved with the module.

Explanation: Limited Single Modular Approval.

2.5 Trace antenna designs

For a modular transmitter with trace antenna designs, see the guidance in Question 11 of KDB Publication 996369 D02 FAQ – Modules for Micro-Strip Antennas and traces. The integration information shall include for the TCB review the integration instructions for the following aspects: layout of trace design, parts list (BOM), antenna, connectors, and isolation requirements.

- a) Information that includes permitted variances (e.g., trace boundary limits, thickness, length, width, shape(s), dielectric constant, and impedance as applicable for each type of antenna);
- b) Each design shall be considered a different type (e.g., antenna length in multiple(s) of frequency, the wavelength, and antenna shape (traces in phase) can affect antenna gain and must be considered);
- c) The parameters shall be provided in a manner permitting host manufacturers to design the printed circuit (PC) board layout;
- d) Appropriate parts by manufacturer and specifications;
- e) Test procedures for design verification; and
- f) Production test procedures for ensuring compliance

The module grantee shall provide a notice that any deviation(s) from the defined parameters of the antenna trace, as described by the instructions, require that the host product manufacturer must notify the module grantee that they wish to change the antenna trace design. In this case, a Class II permissive change application is required to be filed by the grantee, or the host manufacturer can take responsibility through the change in FCC ID (new application) procedure followed by a Class II permissive change application

2.6 RF exposure considerations

It is essential for module grantees to clearly and explicitly state the RF exposure conditions that permit a host product manufacturer to use the module. Two types of instructions are required for RF exposure information: (1) to the host product manufacturer, to define the application conditions (mobile, portable – xx cm from a person's body); and (2) additional text needed for the host product manufacturer to provide to end users in their end-product manuals. If RF exposure statements and use conditions are not provided, then the host product manufacturer is required to take responsibility of the module through a change in FCC ID (new application).

Explanation: The module complies with FCC radiofrequency radiation exposure limits for uncontrolled environments. The device is installed and operated with a distance of more than 20 cm between the radiator and your body." This module follows FCC statement design, FCC ID :2ALGY-18039

2.7 Antennas

A list of antennas included in the application for certification must be provided in the instructions. For modular transmitters approved as limited modules, all applicable professional installer instructions must be included as part of the information to the host product manufacturer. The antenna list shall also identify the antenna types (monopole, PIFA, dipole, etc. (note that for example an "omni-directional antenna" is not considered to be a specific "antenna type").

For situations where the host product manufacturer is responsible for an external connector, for example with an RF pin and antenna trace design, the integration instructions shall inform the installer that unique antenna connector must be used on the Part 15 authorized transmitters used in the host product.

The module manufacturers shall provide a list of acceptable unique connectors.

Explanation: The product antenna uses an irreplaceable antenna with a gain of 1dBi

2.8 Label and compliance information

Grantees are responsible for the continued compliance of their modules to the FCC rules. This

includes advising host product manufacturers that they need to provide a physical or e-label stating "Contains FCC ID" with their finished product. See Guidelines for Labeling and User Information for RF Devices – KDB Publication 784748.

Explanation: The host system using this module, should have label in a visible area indicated the following texts: "Contains FCC ID: 2ALGY-18039

2.9 Information on test modes and additional testing requirements

Additional guidance for testing host products is given in KDB Publication 996369 D04 Module Integration Guide. Test modes should take into consideration different operational conditions for a stand-alone modular transmitter in a host, as well as for multiple simultaneously transmitting modules or other transmitters in a host product.

The grantee should provide information on how to configure test modes for host product evaluation for different operational conditions for a stand-alone modular transmitter in a host, versus with multiple, simultaneously transmitting modules or other transmitters in a host.

Grantees can increase the utility of their modular transmitters by providing special means, modes, or instructions that simulates or characterizes a connection by enabling a transmitter. This can greatly simplify a host manufacturer's determination that a module as installed in a host complies with FCC requirements.

Explanation: Ningde linyang Electronic Technology Co., Ltd. can increase the utility of our modular transmitters by providing instructions that simulates or characterizes a connection by enabling a transmitter.

2.10 Additional testing, Part 15 Subpart B disclaimer

The grantee should include a statement that the modular transmitter is only FCC authorized for the specific rule parts (i.e., FCC transmitter rules) listed on the grant, and that the host product manufacturer is responsible for compliance to any other FCC rules that apply to the host not covered by the modular transmitter grant of certification. If the grantee markets their product

as being Part 15

Subpart B compliant (when it also contains unintentional-radiator digital circuitry), then the grantee shall provide a notice stating that the final host product still requires Part 15 Subpart B compliance testing with the modular transmitter installed.

Explanation: The module without unintentional-radiator digital circuitry, so the module does not require an evaluation by FCC Part 15 Subpart B. The host should be evaluated by the FCC Subpart B.