

Bluetooth Speaker HWYX-01 Instructions

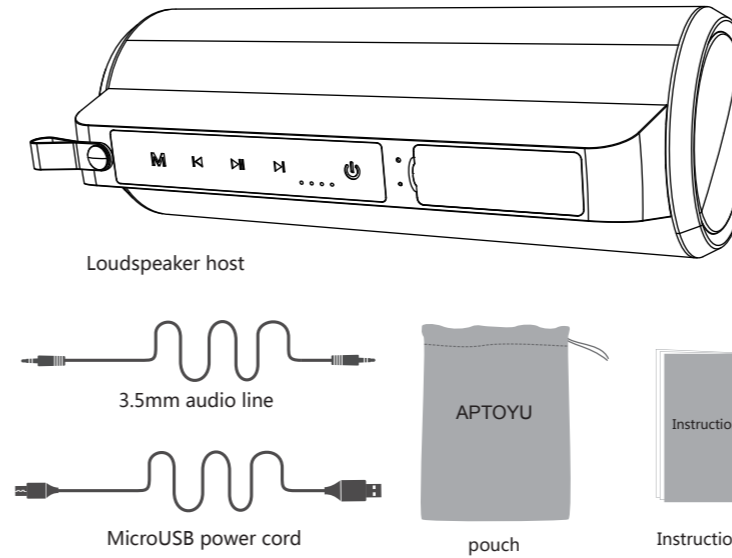
01 Safety Instructions

English

1. Please read and follow the instructions;
2. Store and use the product at normal temperature environment;
3. Do not use the product near water; do not immerse this product in any liquid or drop or splash any liquid on this product;
4. Do not use the product near the heat source, such as heat sink, air conditioner, stoves, or other instruments that can generate heat (including amplifiers);
5. Do not block the mouth of loudspeaker or stuck objects into the vents or slot;
6. Do not throw the product in case of damage from falling;
7. Please charge with charger complying with affordable power of loudspeaker;
8. Please adjust the loudspeaker to the appropriate volume, in order to avoid hearing impairment;
9. Please ask professional maintenance staff to repair in time regardless what the damage result from; unauthorized repair will make the warranty invalid.

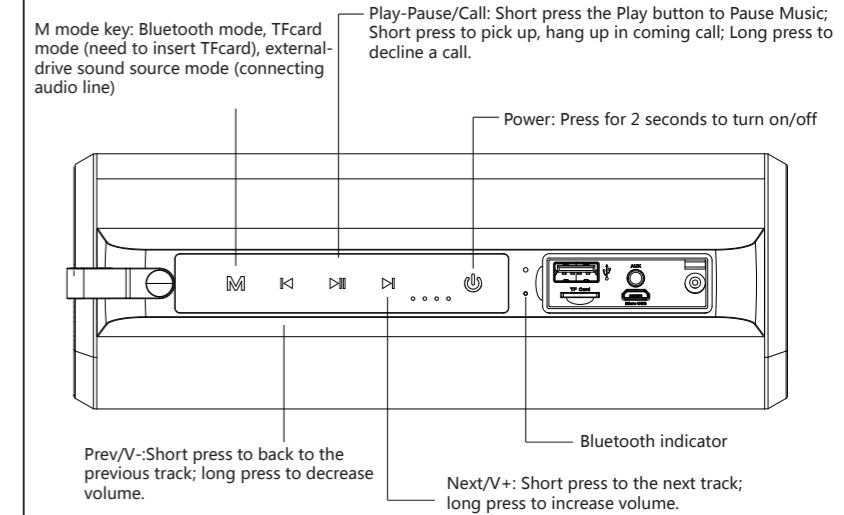
02 Host and accessories

English



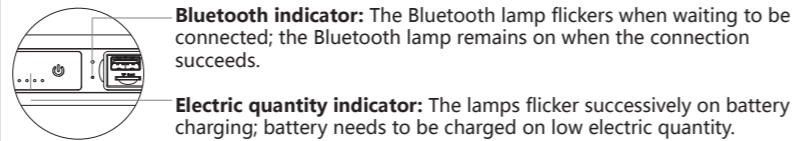
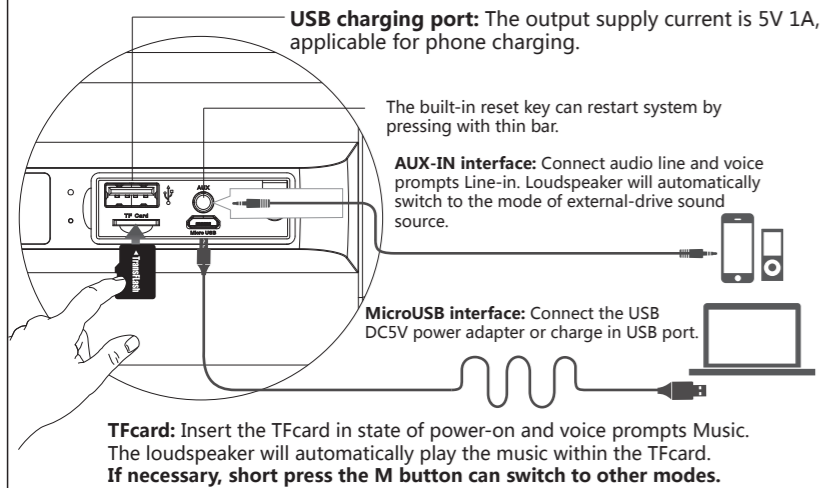
03 Button Function Description

English



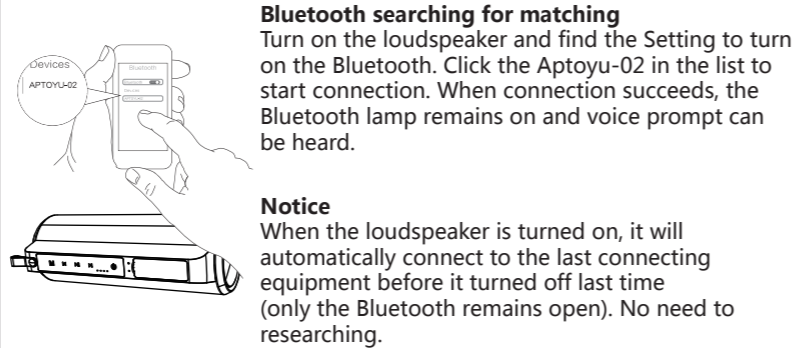
04 Interface Function Description

English



06 Bluetooth audio connection

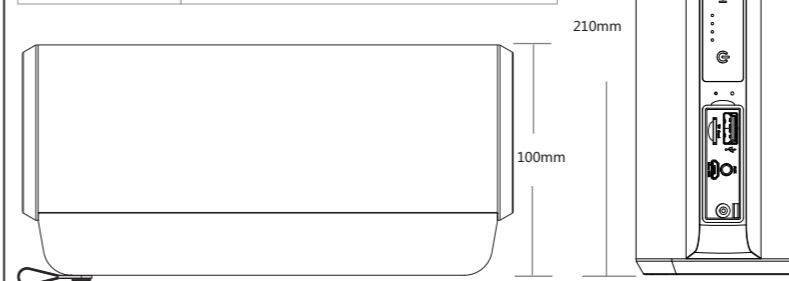
English



07 Technical Parameters

English

Type	Portable Bluetooth loudspeaker
active/passive	active
Adjust method	Buttons
Storage type	Maximum capacity of 128G TF card supportive
Battery	Built-in 3600mAh lithium battery
Wireless connection way	Bluetooth



08 Problem solution

English

Fault	solution
Unsuccessful matching after many times of connecting	Close the loudspeaker and restart
TF card error/format error	1. Check if the TF format is right (the supported format is FAT32); 2. Check if the document format in TF card is APE.
No sound when playing	1. Adjust the sound volume of the loudspeaker; 2. Check if the loudspeaker is in mute or halted state.
No sound after connecting AUX	Check if the voice frequency connecting line is correctly connected
Staccato music when playing	Check if the connecting equipment is beyond the effective connecting distance or if there is a barrier between loudspeaker box and connecting equipment.
Unable to be turned on	Check power of the built-in battery.
No response on operation	Loudspeaker system halts, restart system by pressing reset key.

05 LED Indicator

English

FCC statement

This device complies with Part 15 of the FCC rules. Operation is subject to the following two conditions: 1) this device may not cause harmful interference, and 2) this device must accept any interference received, including interference that may cause undesired operation.

Note: This equipment has been tested and found to comply with the limits for a Class B digital device, pursuant to part 15 of the FCC Rules. These limits are designed to provide reasonable protection against harmful interference in a residential installation.

This equipment generates uses and can radiate radio frequency energy and, if not installed and used in accordance with the instructions, may cause harmful interference to radio communications. However, there is no guarantee that interference will not occur in particular installation. If this equipment does cause harmful interference to radio or television reception, which can be determined by turning the equipment off and on, the user is encouraged to try to correct the interference by one or more of the following measures:

--Reorient or relocate the receiving antenna.

--Increase the separation between the equipment and receiver.

--Connect the equipment into an outlet on a circuit different from that to which the receiver is connected.

--Consult the dealer or an experienced radio/TV technician for help.

Changes or modifications not expressly approved by the party responsible for compliance could void the user's authority to operate the equipment.

FCC Radiation Exposure Statement

This device complies with FCC RF radiation exposure limits set forth for an uncontrolled environment. This transmitter must not be co-located or operating in conjunction with any other antenna or transmitter.