

Y3
32.768kHz

Y4
32MHz

2402-2480MHz
PCB ANTENNA

2MP CMOS SENSOR

SPI FLASH

MICRO USB

4 CONTROL
BUTTON (MODE,
ENTER, UP,
DOWN)

PIR SENSOR

MCU
ST864
U13

Camera
DSP
SPCA6350M
U8

2.4GHz BLE WITH
PA/LNA
U2
U3

Y5 40MHz

2.4GHz Wi-Fi
(802.11b/g/n)
MODULE
U1

PCB ANTENNA

2412-2462MHz

MICRO SD CARD

IR CUT

IR LEDs

LCD
DISPLAY

XTAL Y1
32.768KHz

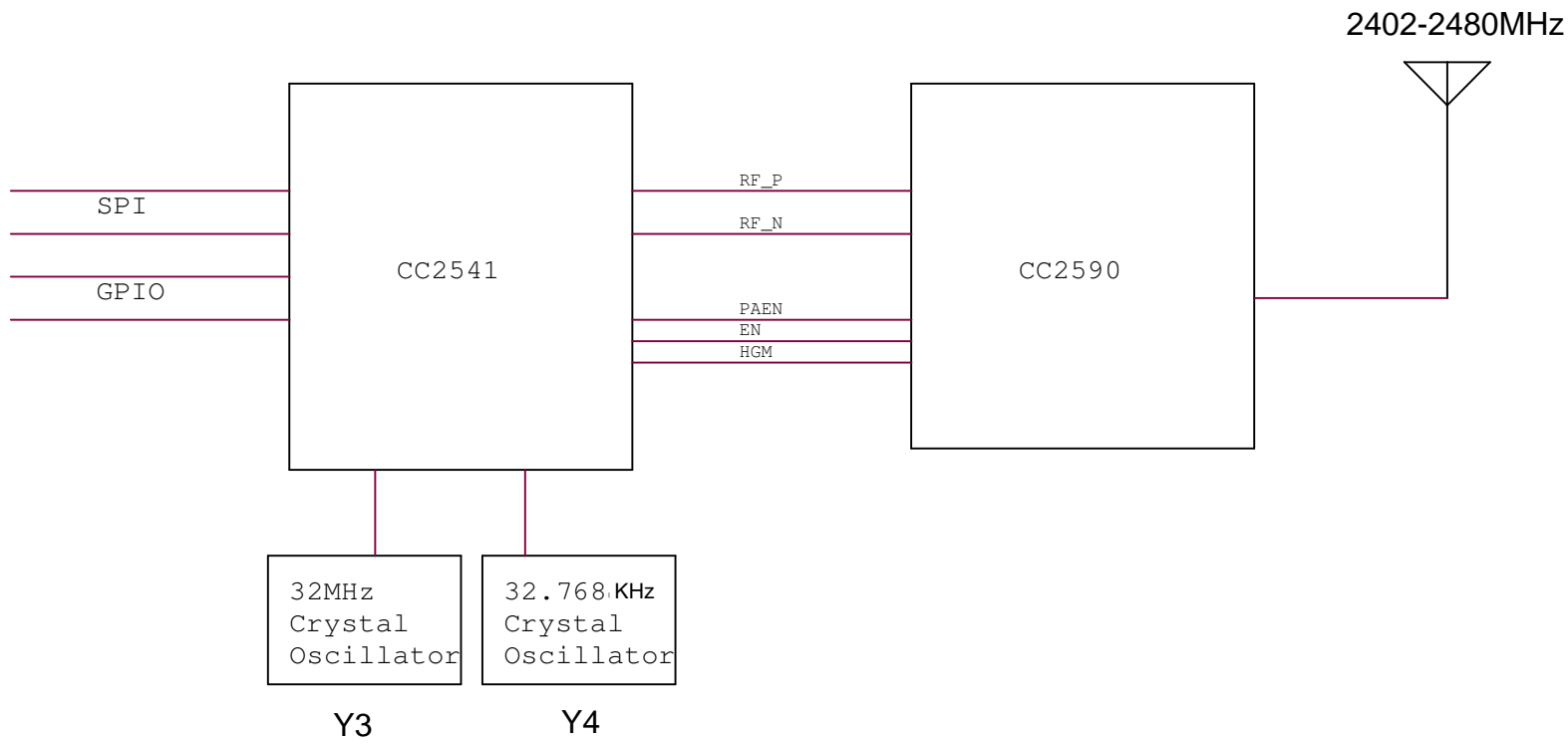
XTAL Y2
27MHz

POWER
MANAGEMENT:

4PCS CR123A LITHIUM
BATTERY

LDO / BUCK
CONVERTER (3.3V,
1.8V, 1.5V, 1.0V)

SYSTECH ELECTRONICS LTD.		
PRODUCT: BTC-9D, BTC-10D		
PCB NUMBER:		
DESIGN ENGINEER: TIM		
Title BLOCK DIAGRAM		
Size Custom	Document Number SHC008_BTC-9D_BLOCK-DIAGRAM_1610250	Rev V00
Date: Tuesday, October 25, 2016	Sheet 1 of 6	



		SYSTECH ELECTRONICS LTD.	
		PRODUCT:	BTC9D&10D BLE MODULE
		PCB NUMBER:	
		DESIGN ENGINEER:	
Title			
Size	Document Number		Rev
A			
Date:	Thursday, April 06, 2017	Sheet 2 of 6	

WNZ7915 BLOCK DIAGRAM

7.The block diagram of product principle

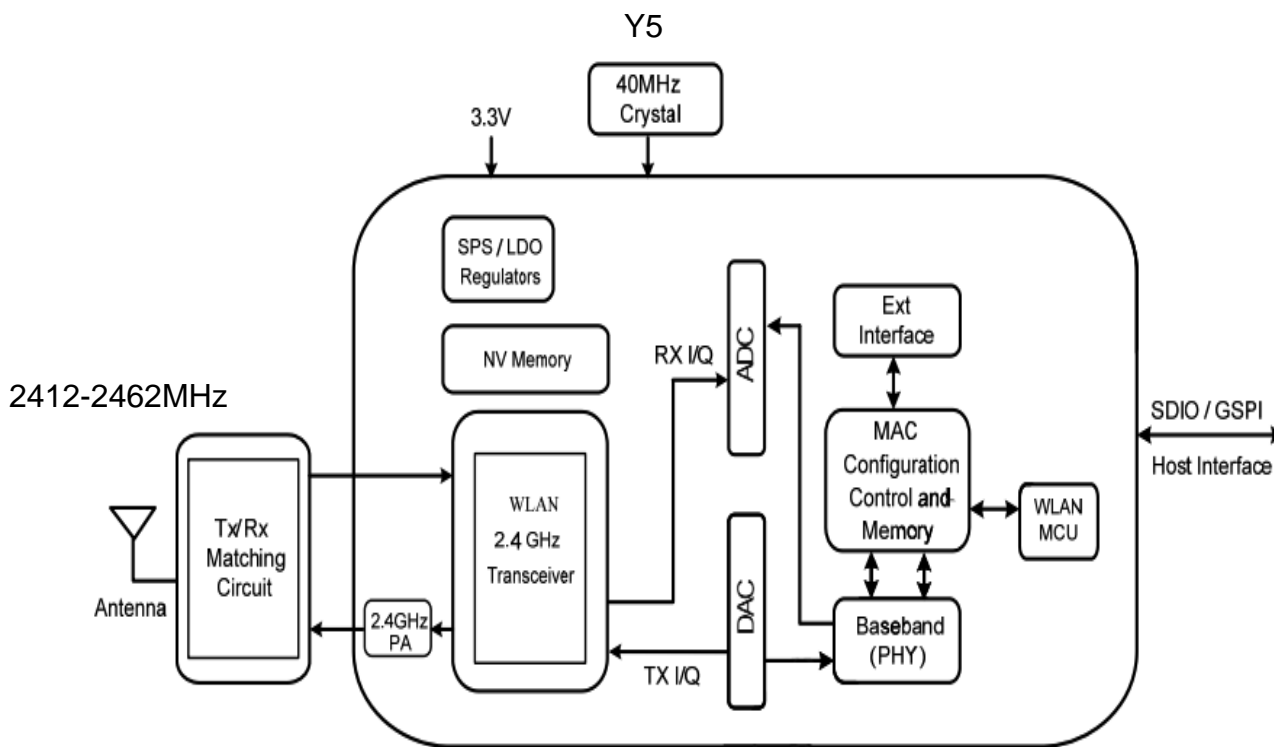


Figure 1 Single-Band 11n (1x1) Solution

8.The supported platform