

RFA-LTE-JP677-70B-60

Electrical Specifications

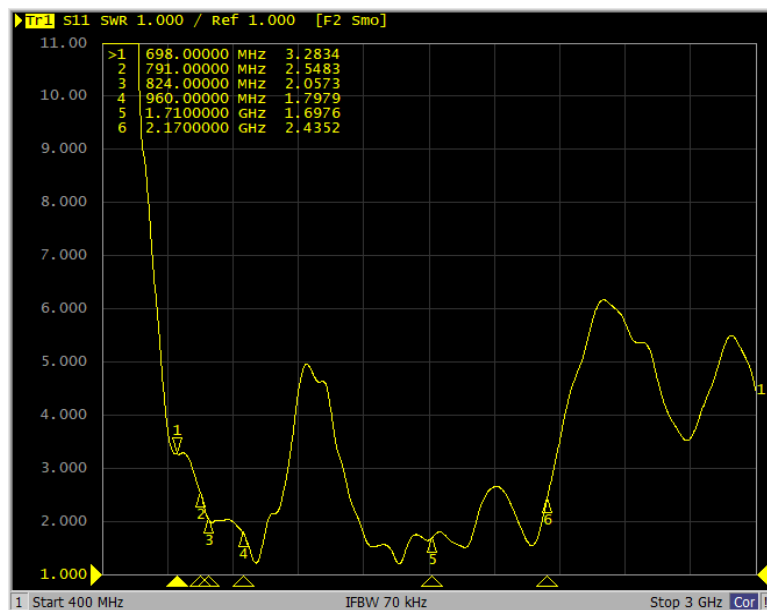
Frequency range	699 – 894 MHz	1710 - 2155 MHz
Peak gain	-0.48 dBi	2.4 dBi
Average gain	-2.55 dBi	-2.5 dBi
VSWR	4.0 : 1 Max.	3.5 : 1 Max.
Polarization	Linear, vertical	
Impedance	50 Ω	
Connector	IPEX	
Cable	Ø1.13	



Environmental & Mechanical Characteristics

Temperature	- 10°C to +55°C
Humidity	95% @ 25°C

VSWR



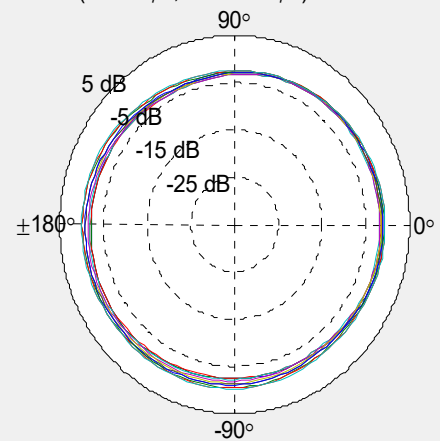
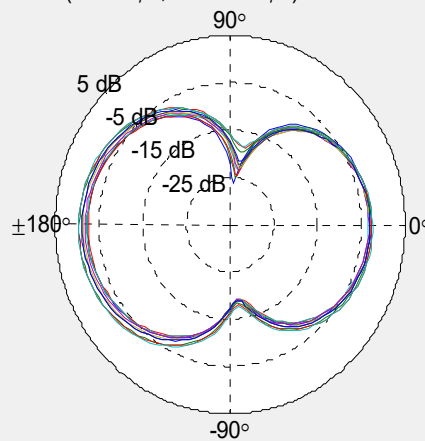
Radiation Pattern

L1 Band = 650 - 798 MHz % L1 BAND

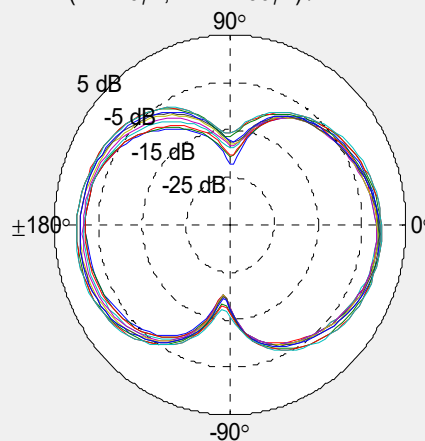
XY Plane (+X = 0φX, +Y = +90φX) / Elevation = 90 φX

ZX Plane (+Z = 0φX, +X = +90φX) / Azimuth = 0 φX

- 699 MHz
- 707.5 MHz
- 716 MHz
- 729 MHz
- 737.5 MHz
- 746 MHz
- 751 MHz
- 756 MHz
- 777 MHz
- 782 MHz
- 787 MHz



YZ Plane (+Z = 0φX, +Y = +90φX) / Azimuth = 90 φX



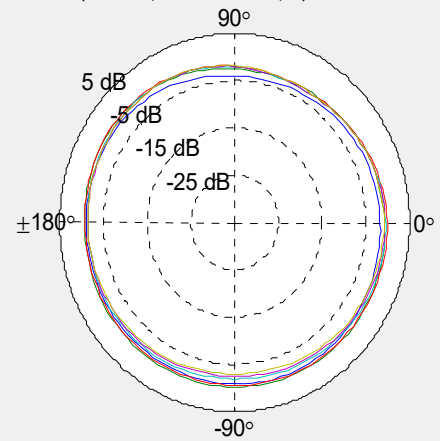
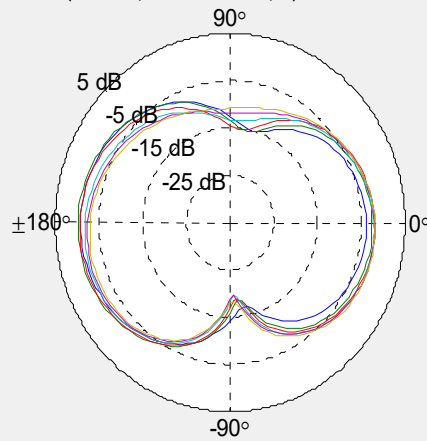
Radiation Pattern

L2 Band = 792 - 960 MHz % L2 BAND

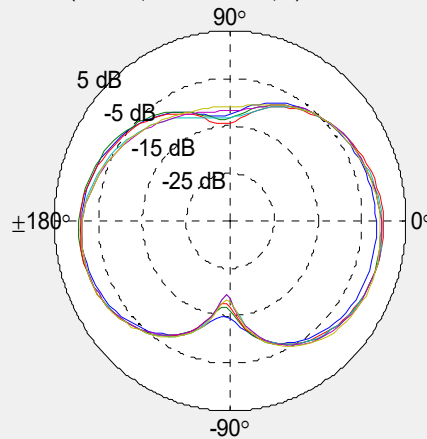
XY Plane (+X = 0φX, +Y = +90φX) / Elevation = 90 φX

ZX Plane (+Z = 0φX, +X = +90φX) / Azimuth = 0 φX

- 824 MHz
- 836.5 MHz
- 849 MHz
- 869 MHz
- 881.5 MHz
- 894 MHz



YZ Plane (+Z = 0φX, +Y = +90φX) / Azimuth = 90 φX



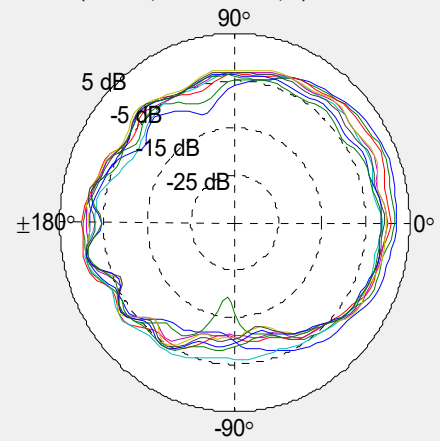
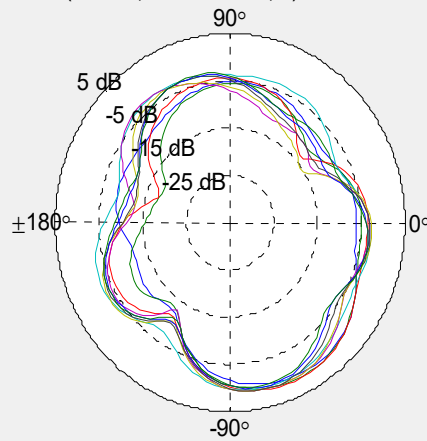
Radiation Pattern

H1 Band = 1700 - 2000 MHz % H1 BAND

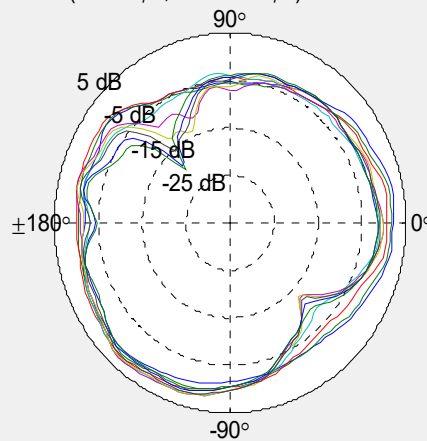
XY Plane (+X = 0φX, +Y = +90φX) / Elevation = 90 φX

ZX Plane (+Z = 0φX, +X = +90φX) / Azimuth = 0 φX

- 1710 MHz
- 1732.5 MHz
- 1755 MHz
- 1850 MHz
- 1880 MHz
- 1910 MHz
- 1930 MHz
- 1960 MHz
- 1990 MHz



YZ Plane (+Z = 0φX, +Y = +90φX) / Azimuth = 90 φX



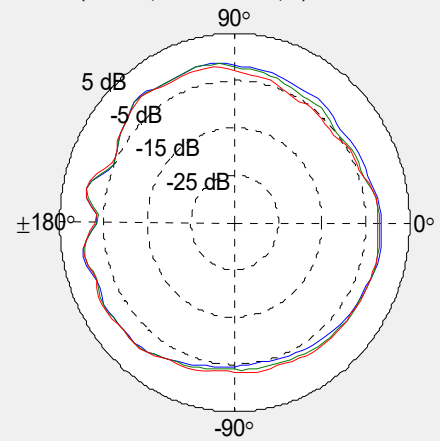
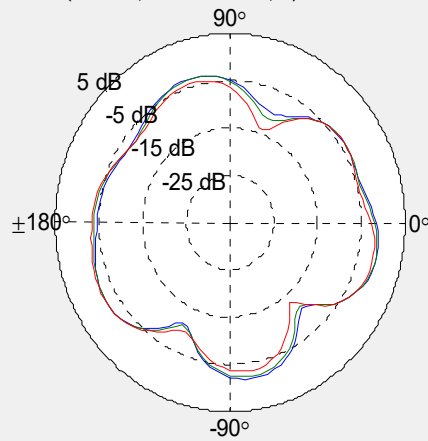
Radiation Pattern

H2 Band = 2000 - 2200 MHz % H2 BAND

XY Plane (+X = 0φX, +Y = +90φX) / Elevation = 90 φX

ZX Plane (+Z = 0φX, +X = +90φX) / Azimuth = 0 φX

- 2110 MHz
- 2132.5 MHz
- 2155 MHz



YZ Plane (+Z = 0φX, +Y = +90φX) / Azimuth = 90 φX

