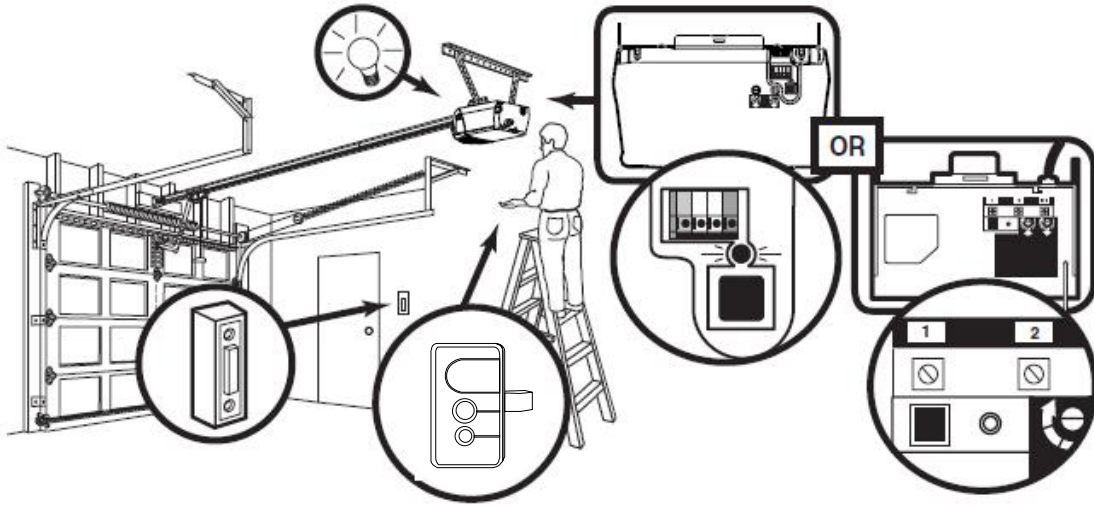


## Craftsman for 315MHz part #139.53753



1. Press the purple learn button once on the main motor head unit .



2. Press and hold the button on the hand remote for 4 seconds



Note : normal the motor head unit lights blinks .  
It has learned the code ( so you can use the  
button to open and close the garage door)



### To Erase All Codes From Motor Unit Memory

To deactivate any unwanted remote, first erase all codes:  
Press and hold the "learn" button on motor unit until the learn indicator light goes out (approximately 6 seconds). All previous codes are now erased. Reprogram each remote or keyless entry you wish to use



## To Control the Opener Lights

A remote push button can be programmed to operate the opener lights without opening the door.

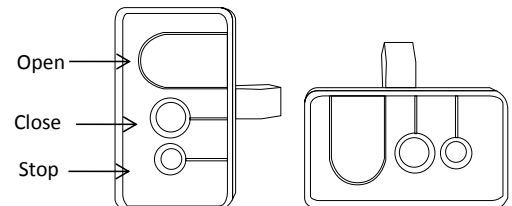
1. With the door closed, press and hold the remote button that you want to control the light.
2. Press and hold the Light button on the door control.
3. Press and hold the Lock button on the door control.
4. After the opener lights flash, release all buttons.

Test by pressing the remote push button. The opener lights should turn on or off but the door should not move.

## Open/Close/Stop Operation

Remote control can be programmed to operate one door using all 3 buttons: the large button will only open the door, the middle button will close the door, and the third button will stop the door's movement. You may set up this feature as follows:

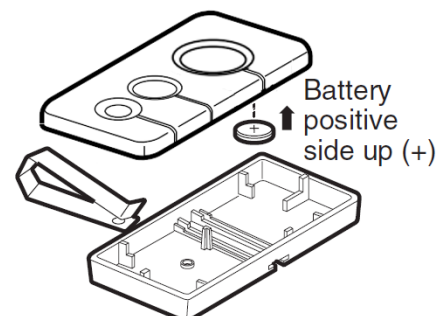
1. With the door closed, press and hold the large remote push button.
2. Press and hold the Lock button on the door control.
3. Press and hold the door control push bar.



When the opener lights flash, release all buttons. Test by pressing the large (Open) button on the remote. The door should open. Press it again while the door is open and nothing should happen. Press the middle (Close) button while the door is moving and it should close. Press the third (Stop) button and the door should stop immediately.

## The Remote Control Batteries

The transmitter contains a lithium battery. To replace, pry open case with visor clip or screwdriver, as shown. Insert batteries positive side up (+). Dispose of old batteries properly.



This equipment has been tested and found to comply with the limits for a Class B digital device, pursuant to part 15 of the FCC Rules. These limits are designed to provide reasonable protection against harmful interference in a residential installation. This equipment generates, uses and can radiate radio frequency energy and, if not installed and used in accordance with the instructions, may cause harmful interference to radio communications. However, there is no guarantee that interference will not occur in a particular installation. If this equipment does cause harmful interference to radio or television reception, which can be determined by turning the equipment off and on, the user is encouraged to try to correct the interference by one or more of the following measures:

- Reorient or relocate the receiving antenna.
- Increase the separation between the equipment and receiver.
- Connect the equipment into an outlet on a circuit different from that to which the receiver is connected.
- Consult the dealer or an experienced radio/TV technician for help.

Caution: Any changes or modifications to this device not explicitly approved by manufacturer could void your authority to operate this equipment.

This device complies with part 15 of the FCC Rules. Operation is subject to the following two conditions: (1) This device may not cause harmful interference, and (2) this device must accept any interference received, including interference that may cause undesired operation.

The device has been evaluated to meet general RF exposure requirement.