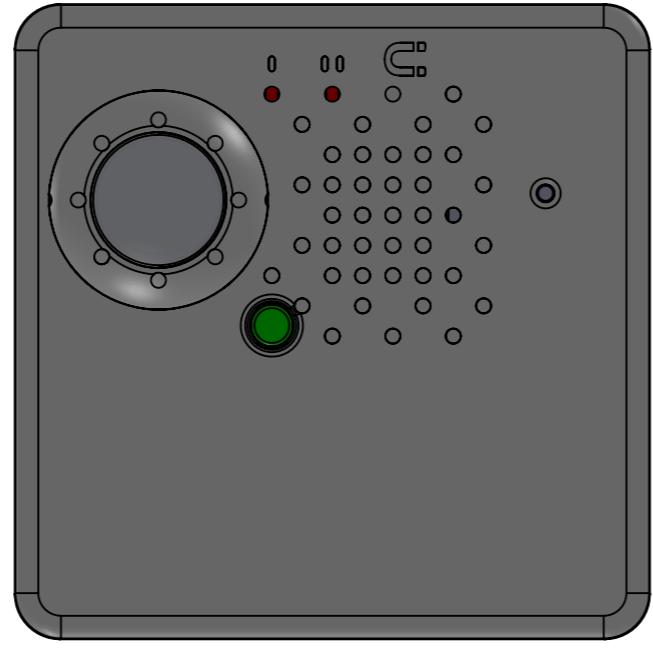
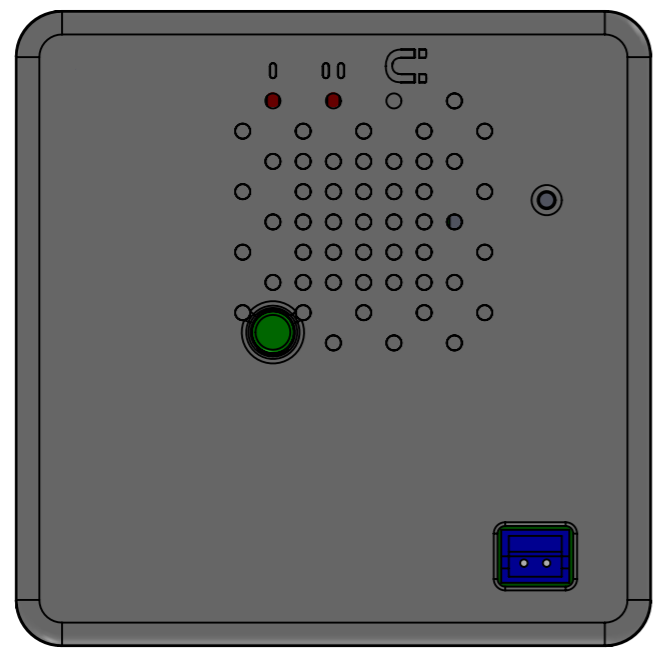
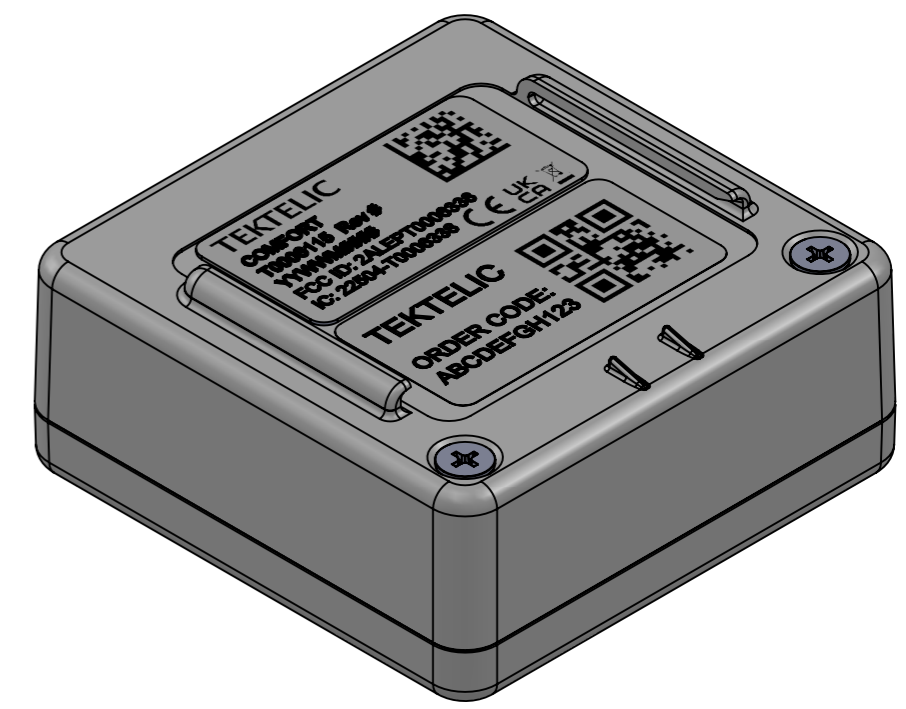
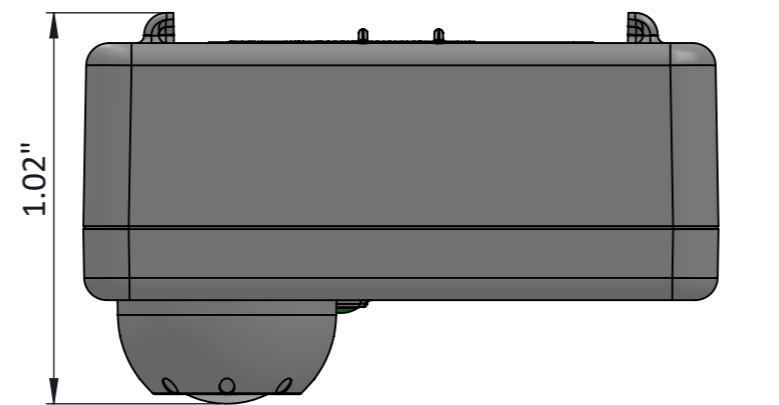
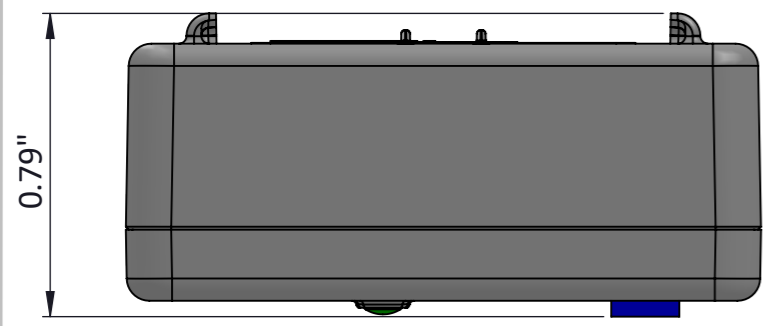
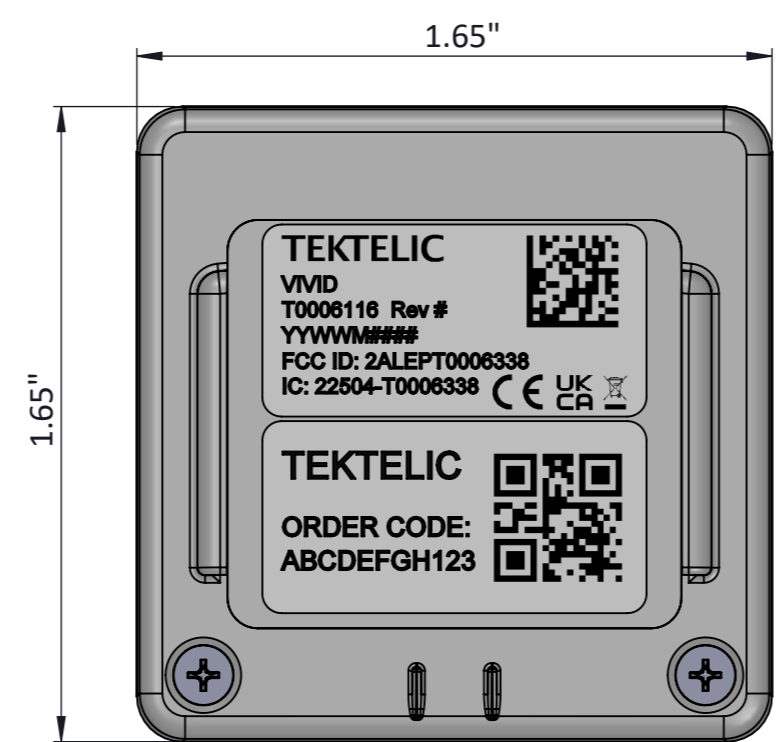
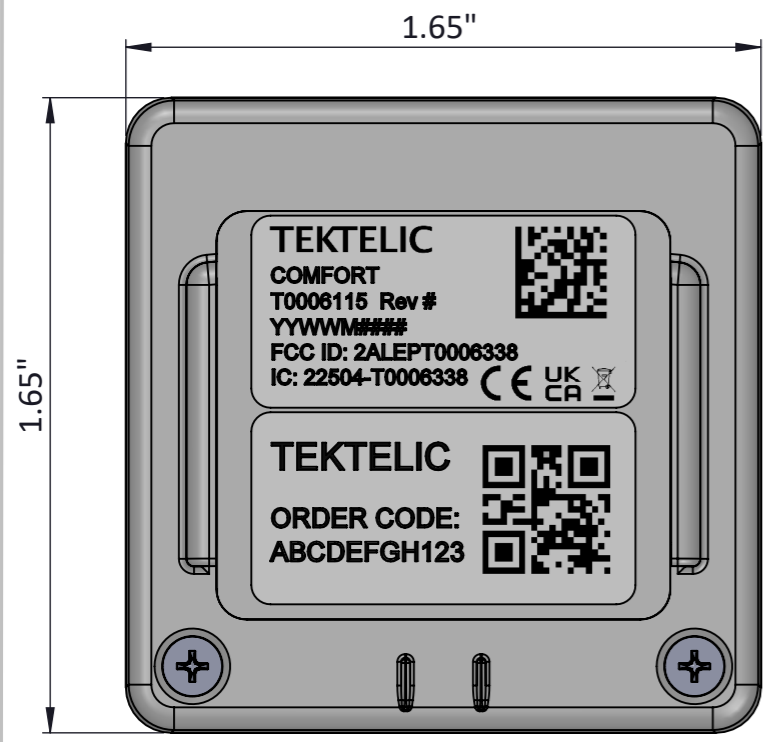
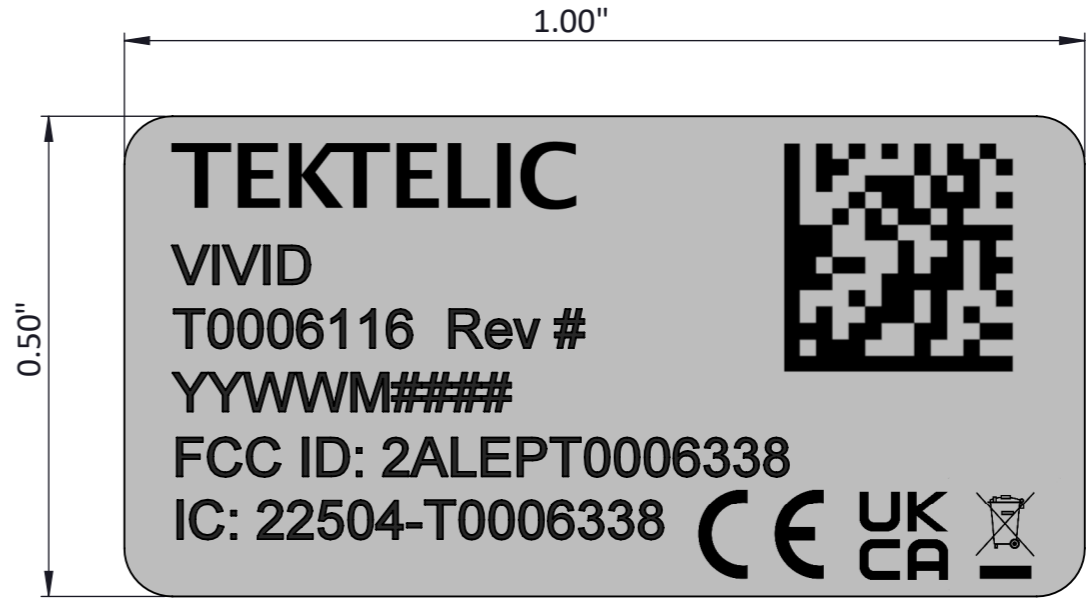
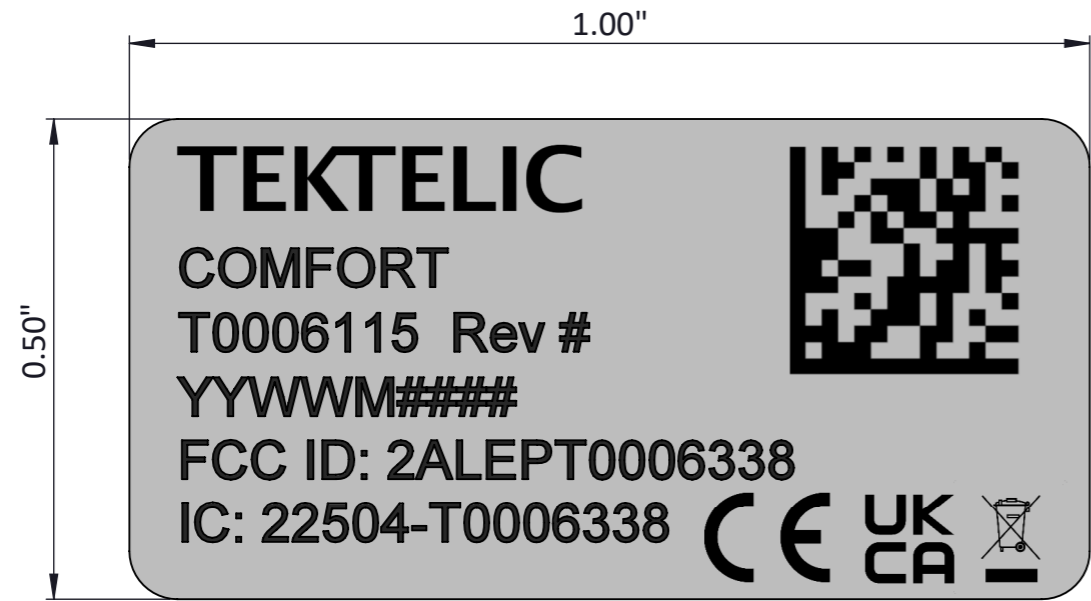


REVISIONS		
REV.	DESCRIPTION	DATE
A		28-Jul-2022



TITLE: SMART ROOM SENSOR MODULE, GEN3+, BASE, NA		
DWG NO. Label Information	REVISION D0	SIZE A3
SCALE:2:1		SHEET 1 OF 2



TITLE: LABEL, REGULATORY, HOME SENSOR		
DWG NO. Label Information	REVISION C0	SIZE A3
SCALE:5:1		SHEET 2 OF 2