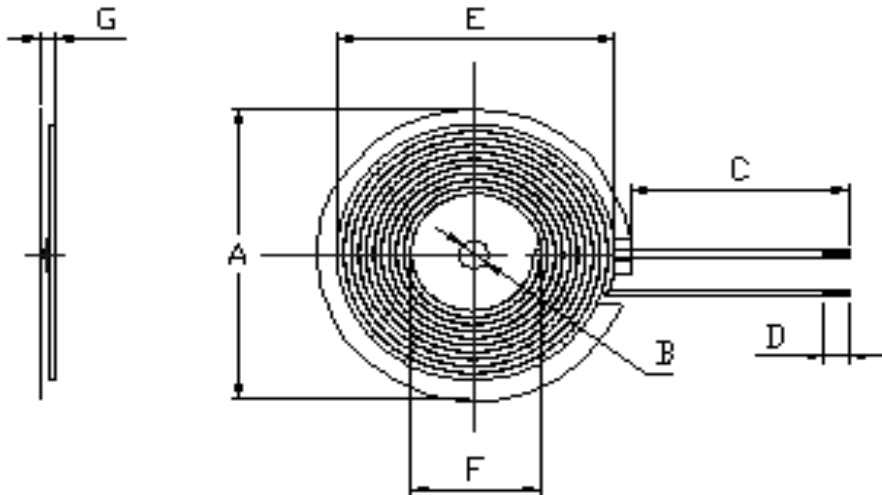
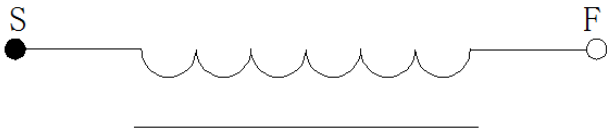


## SPECIFICATION

產品型號: DESC	<b>A11 50*0.8 10UH</b> <b>Wire length=45MM</b>	版本 Rev: A.0	客戶 CUST: 客戶料号 CUST P/N:	
---------------	---	----------------	----------------------------	--

一、尺寸 DIMENSION:(mm)

二、原理图 SCHEMATIC DIAGRAM:



A	49.5.0±0.5
B	5.0±1.0
C	45MM±2
D	4.5±2
E	46.5±0.5
F	20.5±0.5
G	2.0MM±0.2

注 Remarks:  
 1.交叉出线 Cross outgoing line;  
 2.出线位置缠 8mm(ref)宽度高温胶纸 1-2Ts; Wrap width=8mm (ref) high-temperature adhesive tape 1-2Ts around the outlet position  
 3.线圈贴圆形硬磁片带槽 Coil mounted on circular hard magnetic disc with slot, 磁片尺寸 magnetic disc size:49.5±0.5mm,内孔 dia of inner hole =5mm, Thickness=0.8±0.2mm。