

Light Up Logo Bluetooth Earbuds

Model: XO-9720

TECHNICAL SPECIFICATIONS

PLAY TIME: 2-2.5 hours

CHARGING TIME: 60-70 minutes

BATTERY : 3.7V/70mAh Lithium-Ion,

WIRELESS DISTANCE : 10 meters

FREQUENCY RESPONSE: 20Hz - 20Khz

CHARGING

For first time use, charge the battery until it is full. To charge, open the headset's USB jack and plug the charging cable into the charging port. Indicator LED is red when charging. Turn blue when fully charged.

(1) VOLUME KEY - / PREVIOUS

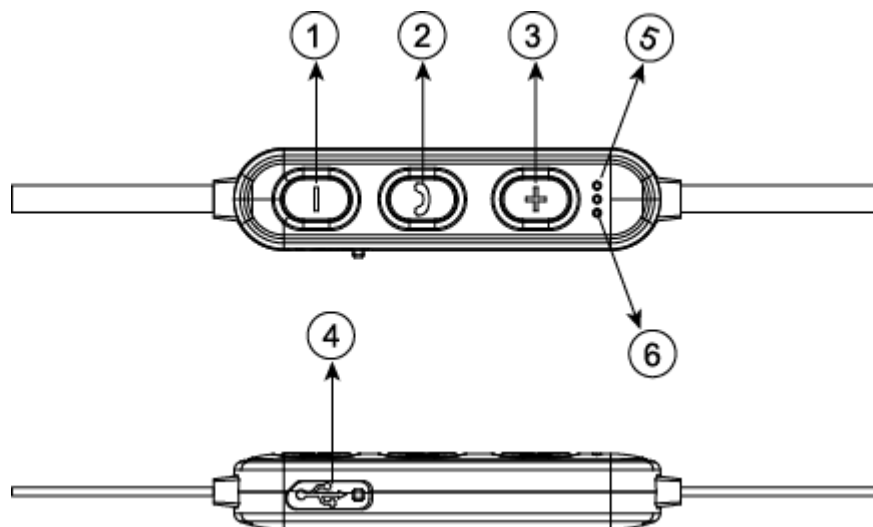
(2) MULTIFUNCTION BUTTON

(3) VOLUME + / NEXT

(4) MICRO USB PORT

(5) MICROPHONE

(6) INDICATOR LIGHT



AUTOMATIC RECONNECTION

Once the headset and the pairing device have been paired together, they will automatically be reconnected if they are within distance of each other and the pairing device's Bluetooth function is turned on.

TURNING ON and pairing

Activate your pairing device's Bluetooth feature. Search for "Light up earbud", and select it to connect.

VOLUME CONTROL

Short press the volume + or - repeatedly to adjust the volume.

MUSIC CONTROL

Press and hold the volume + or - repeatedly to switch the next or previous track.

TAKING / REJECTING CALLS

Answering: Press the Multifunction button once to take a call.

Rejecting: Press and hold the Multifunction button to reject a call.

Redialing: Double click the Multifunction button to redial a latest number in your call logs.

FCC Statement

This equipment has been tested and found to comply with the limits for a Class B digital device, pursuant to part 15 of the FCC Rules. These limits are designed to provide reasonable protection against harmful interference in a residential installation. This equipment generates, uses and can radiate radio frequency energy and, if not installed and used in accordance with the instructions, may cause harmful interference to radio communications. However, there is no guarantee that interference will not occur in a particular installation. If this equipment does cause harmful interference to radio or television reception, which can be determined by turning the equipment off and on, the user is encouraged to try to correct the interference by one or more of the following measures:

- Reorient or relocate the receiving antenna.
- Increase the separation between the equipment and receiver.
- Connect the equipment into an outlet on a circuit different from that to which the receiver is connected.
- Consult the dealer or an experienced radio/TV technician for help.

Caution: Any changes or modifications to this device not explicitly approved by manufacturer could void your authority to operate this equipment.

This device complies with part 15 of the FCC Rules. Operation is subject to the following two conditions: (1) This device may not cause harmful interference, and (2) this device must accept any interference received, including interference that may cause undesired operation.

RF Exposure Information

The device has been evaluated to meet general RF exposure requirement. The device can be used in portable exposure condition without restriction.