



sold separately.

- The charger should remain close to the electric socket and easily accessible while charging.
- The socket-outlet shall be installed near the equipment and shall be easily accessible.
- Wireless charging may not work properly if you have attached a thick case to your mobile device. If your case is thick, remove it before placing your mobile device on the charger stand.
- When a headset is connected to your mobile device, place the mobile device in a landscape position on the charger stand. If you place the mobile device in a portrait position, it may not charge.

Fast wireless charging

To begin fast wireless charging, place a mobile device that supports fast wireless charging on the charger stand.



The fan inside the wireless charger operates during fast wireless charging. The fan will not operate when this feature is deactivated on your mobile device.

Safety information

Read all safety information before using the device to ensure safe and proper use. To view the full safety information, refer to the Samsung website.

Use manufacturer-approved batteries, chargers, accessories, and supplies

Do not touch the device with wet hands

Do not drop or cause an impact to the charger or the device

The device can be used in locations with an ambient temperature of 0°C to 35°C. You can store the device at an ambient temperature of -20°C to 50°C. Using or storing the device outside of the recommended temperature ranges may damage the device or reduce the battery's lifespan

English

Prevent the multipurpose jack, the small end of the charger, and the fan vent from coming into contact with conductive materials, such as liquids, dust, metal powders, and pencil leads

Do not cover or block the device's fan vent

Do not allow children or animals to chew or suck the device

Do not disassemble, modify, or repair your device

Magnetic stripe cards, including credit cards, phone cards, passbooks, and boarding passes, may be damaged by magnetic fields

Correct disposal

This marking on the product, accessories or literature indicates that the product and its electronic accessories (e.g. charger, headset, USB cable) should not be disposed of with other household waste.

This product is RoHS compliant.

FCC Statement

Changes or modifications not expressly approved by the party responsible for compliance could void the user's authority to operate the equipment.

This equipment has been tested and found to comply with the limits for a Class B digital device, pursuant to Part 15 of the FCC Rules. These limits are designed to provide reasonable protection against harmful interference in a residential installation. This equipment generates uses and can radiate radio frequency energy and, if not installed and used in accordance with the instructions, may cause harmful interference to radio communications. However, there is no guarantee that interference will not occur in a particular installation. If this equipment does cause harmful interference to radio or television reception, which can be determined by turning the equipment off and on, the user is encouraged to try to correct the interference by one or more of the following measures:

- Reorient or relocate the receiving antenna.
- Increase the separation between the equipment and receiver.
- Connect the equipment into an outlet on a circuit different from that to which the receiver is connected.
- Consult the dealer or an experienced radio/TV technician for help

This equipment complies with FCC radiation exposure limits set forth for an uncontrolled environment. This equipment should be installed and operated with minimum distance 20cm between the radiator & your body



sold separately.

- The charger should remain close to the electric socket and easily accessible while charging.
- The socket-outlet shall be installed near the equipment and shall be easily accessible.
- Wireless charging may not work properly if you have attached a thick case to your mobile device. If your case is thick, remove it before placing your mobile device on the charger stand.
- When a headset is connected to your mobile device, place the mobile device in a landscape position on the charger stand. If you place the mobile device in a portrait position, it may not charge.

Fast wireless charging

To begin fast wireless charging, place a mobile device that supports fast wireless charging on the charger stand.



The fan inside the wireless charger operates during fast wireless charging. The fan will not operate when this feature is deactivated on your mobile device.

Safety information

Read all safety information before using the device to ensure safe and proper use. To view the full safety information, refer to the Samsung website.

Use manufacturer-approved batteries, chargers, accessories, and supplies

Do not touch the device with wet hands

Do not drop or cause an impact to the charger or the device

The device can be used in locations with an ambient temperature of 0°C to 35°C. You can store the device at an ambient temperature of -20°C to 50°C. Using or storing the device outside of the recommended temperature ranges may damage the device or reduce the battery's lifespan

English

Prevent the multipurpose jack, the small end of the charger, and the fan vent from coming into contact with conductive materials, such as liquids, dust, metal powders, and pencil leads

Do not cover or block the device's fan vent

Do not allow children or animals to chew or suck the device

Do not disassemble, modify, or repair your device

Magnetic stripe cards, including credit cards, phone cards, passbooks, and boarding passes, may be damaged by magnetic fields

Correct disposal

This marking on the product, accessories or literature indicates that the product and its electronic accessories (e.g. charger, headset, USB cable) should not be disposed of with other household waste.

This product is RoHS compliant.

FCC Statement

Changes or modifications not expressly approved by the party responsible for compliance could void the user's authority to operate the equipment.

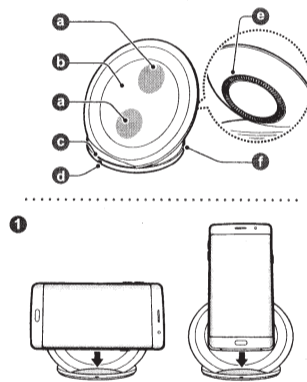
This equipment has been tested and found to comply with the limits for a Class B digital device, pursuant to Part 15 of the FCC Rules. These limits are designed to provide reasonable protection against harmful interference in a residential installation. This equipment generates uses and can radiate radio frequency energy and, if not installed and used in accordance with the instructions, may cause harmful interference to radio communications. However, there is no guarantee that interference will not occur in a particular installation. If this equipment does cause harmful interference to radio or television reception, which can be determined by turning the equipment off and on, the user is encouraged to try to correct the interference by one or more of the following measures:

- Reorient or relocate the receiving antenna.
- Increase the separation between the equipment and receiver.
- Connect the equipment into an outlet on a circuit different from that to which the receiver is connected.
- Consult the dealer or an experienced radio/TV technician for help

This equipment complies with FCC radiation exposure limits set forth for an uncontrolled environment. This equipment should be installed and operated with minimum distance 20cm between the radiator & your body

QUICK START GUIDE

Circular Wireless Charger
XO-9602



• Please read this guide before using the device to ensure safe and proper use.

- Images may differ in appearance from the actual product. Content is subject to change without prior notice. You can access the full user manual for more information. Visit www.samsung.com to view device information, the user manual, and more.
- Before using the charger stand, make sure it is compatible with your device.
- Your consumer rights are governed by the law of the country in which you purchased the product. Please contact your service provider for more information.

Device layout

a	Charger coil	d	Indicator light
b	Wireless charging surface	e	Fan vent
c	Phone support	f	Charger port

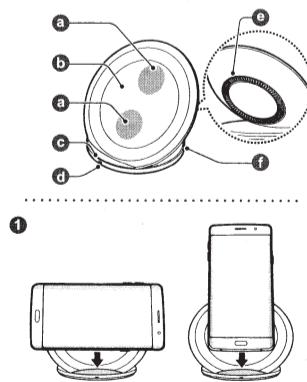
Using the charger stand

1. Connect the charger to the charger stand. Then, place a supported mobile device on the phone support. **1**
2. When the mobile device is fully charged, remove the mobile device from the charger stand.

English

QUICK START GUIDE

Circular Wireless Charger
XO-9602



• Please read this guide before using the device to ensure safe and proper use.

- Images may differ in appearance from the actual product. Content is subject to change without prior notice. You can access the full user manual for more information. Visit www.samsung.com to view device information, the user manual, and more.
- Before using the charger stand, make sure it is compatible with your device.
- Your consumer rights are governed by the law of the country in which you purchased the product. Please contact your service provider for more information.

Device layout

a	Charger coil	d	Indicator light
b	Wireless charging surface	e	Fan vent
c	Phone support	f	Charger port

Using the charger stand

1. Connect the charger to the charger stand. Then, place a supported mobile device on the phone support. **1**
2. When the mobile device is fully charged, remove the mobile device from the charger stand.

English