



NOTUS REMOTE

T4HU1725/41kA Notus 1.0 for UC

FCC Labels Artwork Design File
v.02

EDITION HISTORY

VERSION	DATE	AUTHOR	MODIFICATIONS
02	19-09-2019	NM	- Initial Release;

01. PRODUCT DESCRIPTION

01.1 OVERALL

. FCC certification labels to implement on RC T4HU1725/41kA Notus 1.0 for UC.

100% ARTWORK:



200% ARTWORK:



PRINTED INFORMATION:

- 01.PROJECT ID
- 02.FCC ID

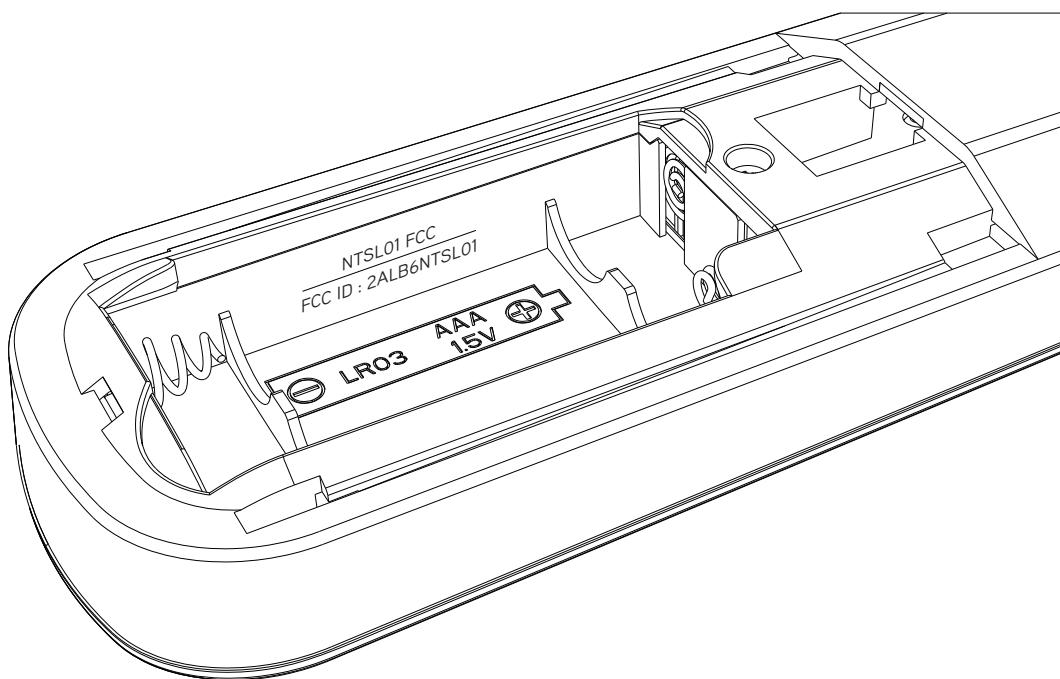
TYPEFACES:

Aaux ProRegular - font size of 5pt (01) (02)

LOCALIZATION ON REMOTE:

DATE CODE PRINT

laser printing inside battery compartment



Remote Control Battery compartment