

IPN Headsets

ADD: Bijsterhuizen 2414, 6604 LL Wijchen, Netherlands

Tel: +31247440444

Email: info@ipn-headsets.com

Data: 2018-11-29

FEDERAL COMMUNICATIONS COMMISSIONS

Authorization and Evaluation Division

7435 Oakland Mills Road

Columbia, MD 21046

Dear Sir/Madam,

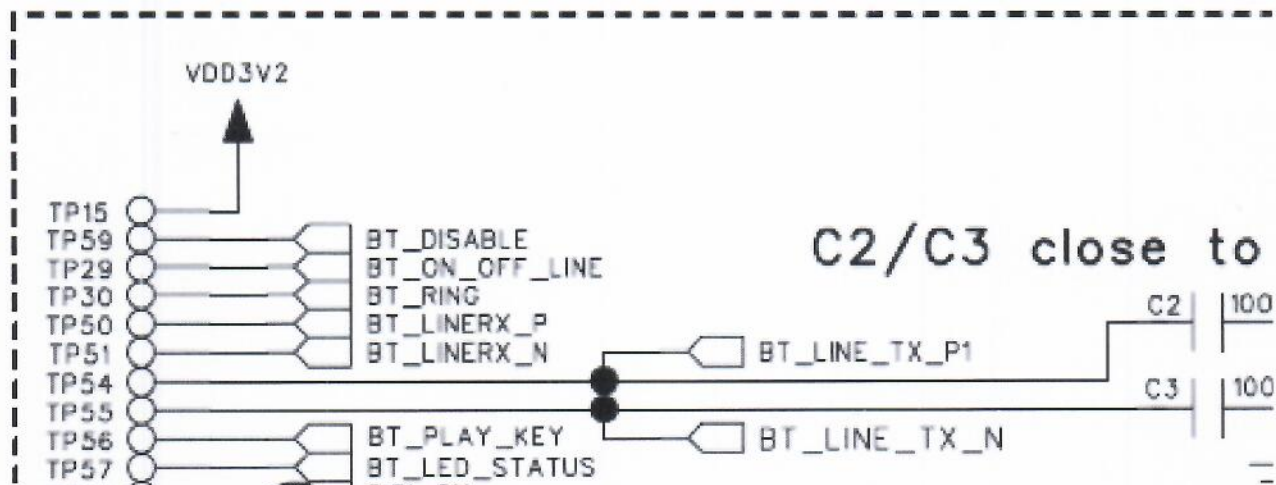
This is to request change to our product named as Wireless Headset, FCC ID: 2ALB3W990BS, Model: W990, LH370, LH375, LH380, W995, W997 that is identical to the previously certified FCC ID: 2ALB3W985BS, Model: W985, W970, W980, W920, W925, W972, LH170, LH175, LH180, LH270, LH275, LH280, Euro Set, DW1 except for the change as below for detail:

The difference between Previous device and New version device are as below:

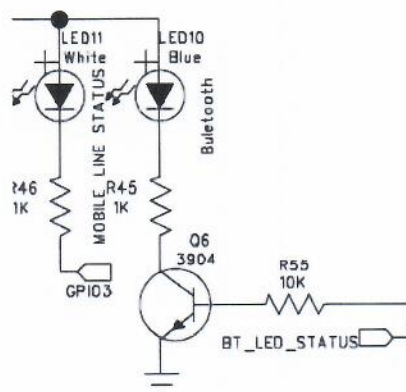
1. The baseband controller (location in the schematic is U1) IO changes:

Baseband(U1) IO modification details				
W990, LH370, LH375, LH380, W995, W997				W985, W970, W980, W920, W925, W972, LH170, LH175, LH180, LH270, LH275, LH280, Euro Set, DW1
IO	Direction	Function	Description	
GPIO7	INPUT	BT_ON_OFF_LINE	0=BT audio on BT, 1=BT audio NOT on BT	/
GPIO6	INPUT	BT key	1=Key released, 0=Key pressed	/
GPIO5	INPUT	BT_RING	0=BT ringing, 1=BT no ring	/
GPIO4	OUTPUT	BT PLAY KEY	1=pressed, 0=released	/
GPIO3	OUTPUT	BT line indicator	1=off, 0=on	/
EXGPIO6	INPUT	BT_LED_STATUS	1=on, 0=off	/
LIN0	INPUT	TEL_LINERX_N	PSTN line Rx input	/
LIN1	INPUT	TEL_LINERX_P		/
HSMICN	INPUT	BT_LINERX_N	BT line Rx input	TEL_LINERX_N
HSMICP	INPUT	BT_LINERX_P		TEL_LINERX_P
HSSPOTP	OUTPUT	BT_LINE_TX_P	BT line Tx	TEL_LINE_TX_N
LOUT	OUTPUT	TEL_LINE_TX_P	PSTN line Tx	TEL_LINE_TX_P

2. Connections board for BT module for new device.



3. Add BT indicators for new device.



The original device and new device share exactly same DECT Part, including schematics and PCB layout. Thus they can share FCC Part 15D test data and the new device just adds BT Module, the new device will also be tested with FCC Part 15.247.

This authorization is valid until further written notice from the applicant.

Please contact me if you have any questions or need future information regarding this application.

Sincerely Yours,

Signature:

Ken Lew
Director