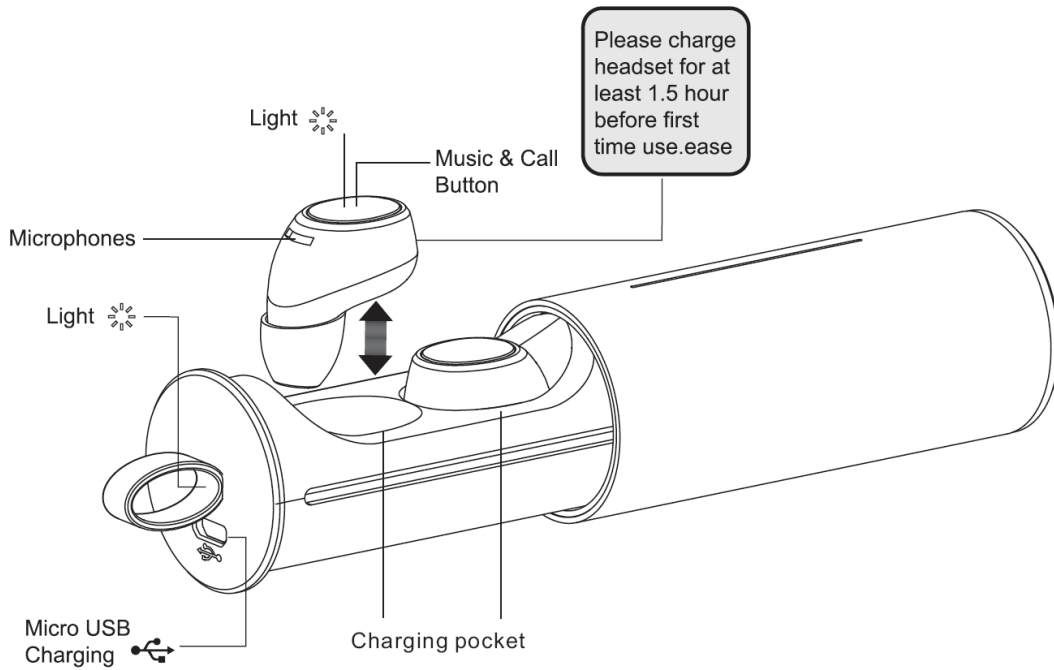


# MS01B(BES) Quick Start Guide



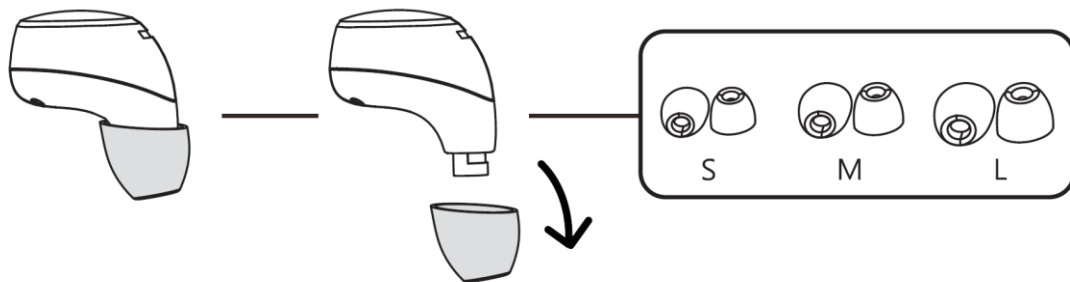
**Note:** Pull the case to open it. The earbuds with R / L symbol. Left will be the master earbud and connect to your device, the right will automatically connect to the left.

Earbuds automatically turn on when removed from the case.  
They turn off and charge when placed back in the case.

## Step 1: Wear

### Best fit & best sound

Try all the ear tips to find the best fit and the best sound. The fit is right when you get a complete seal, the ear tips feel comfortable, and you get the best quality and loudest sound.



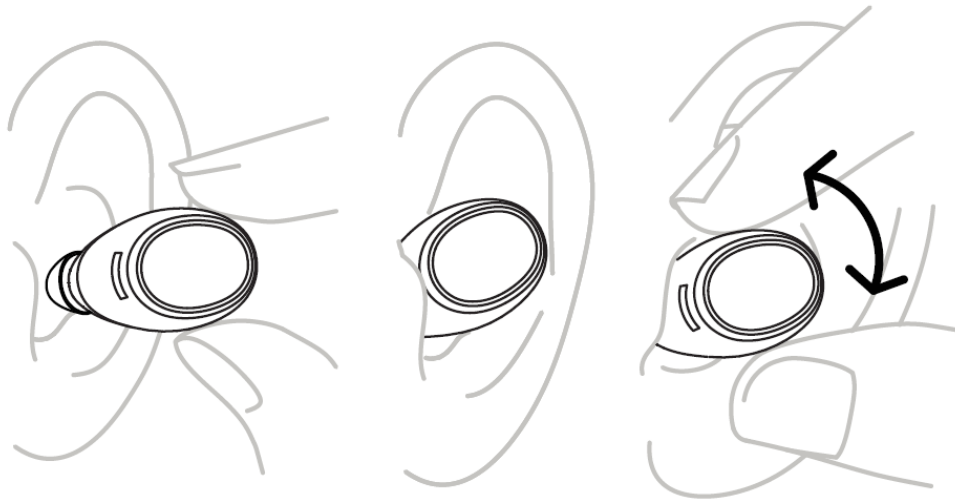
**Tip:** More than one ear tips size may fit you. Choose the one that completely seals your ear canal for the best sound.

**Note:** You may need different size ear tips for left and right.

### **Wear**

Insert the earphones with the ear tip directed towards your ear canal. Twist gently until fit comfortably and feel secure in your ear.

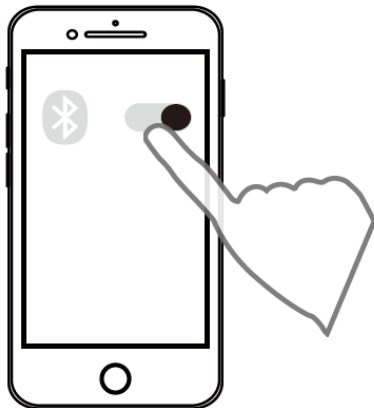
Note: When you take the earphones out of the case, double-press MFB to enter pairing mode, you have 3 mins to paired with your device, or they out pairing mode. Put them in the case to wake them back up.



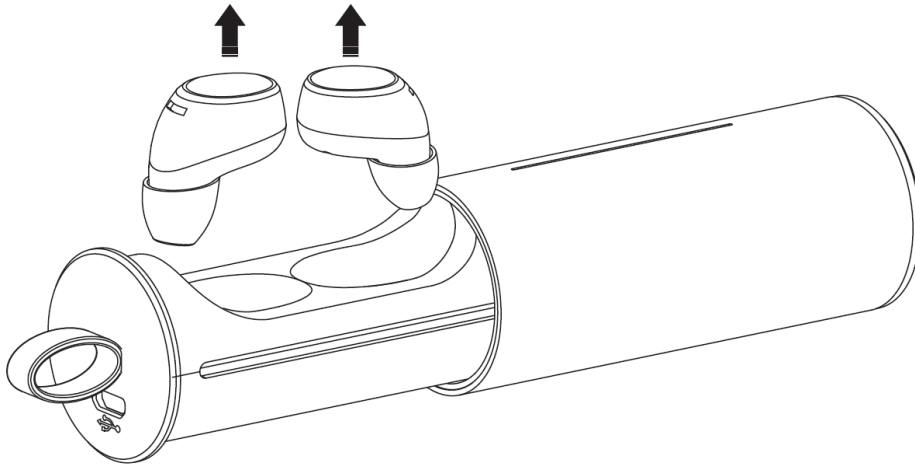
### **Step1: Wear**

### **Step 2: Pair with Bluetooth**

1. Turn on the Bluetooth on your device.



2. Earbuds remove from the case, after automatically turn on, the right will automatically connect to the left, the left earbud with “Connected” “Left” prompt tone; the right earbud With “Connected” “Right” prompt tone;  
After the right connect to the left, Left with “pairing” prompt tone, the LED indicator flashes green and blue;



3. On your device, go to Bluetooth menu, select for: MS01B(BES), pair and connect.  
You will hear “Connected” when pairing is complete.

**Note:**

Only the left earbud will connect to your device. The right one will connect to the left.  
The left earbud may also be used as a single headset.

**Tip:**

When you hear “Right” from right earbud, “Left” from left earbud, both earbuds are connected for stereo use. When you hear “Connected” your earbuds are connected to your device.

**Music**

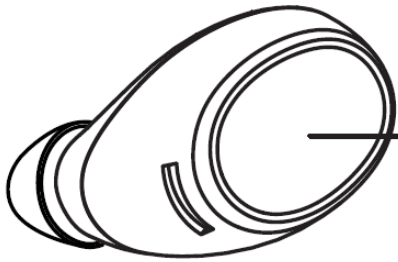
Start playing music on your music player and then control it with master earbud.



- ※ Press once to pause a track. Press again to resume.
- ※ Double-press to go to the next track.
- ※ Triple-press to go back one track

**Calls**

When making and answering calls, you can press master earbud.



## Call Control Button (Answer/ Rejected)

- ※ Press once to answer an incoming call, or press and hold MFB for 2 seconds to reject it.
- ※ Press once to end a call.
- ※ When you are talking on the phone and receive another incoming call,
  - 1) Press MFB once time, end first call and answer new coming call;
  - 2) Long press MFB 2 seconds, answer new call and first call will be placed on hold;
  - 3) if new coming call answer and first call on hold, long press MFB 2 seconds, switching between two calls.

**Note:** All calls will be heard in the left earbud only.

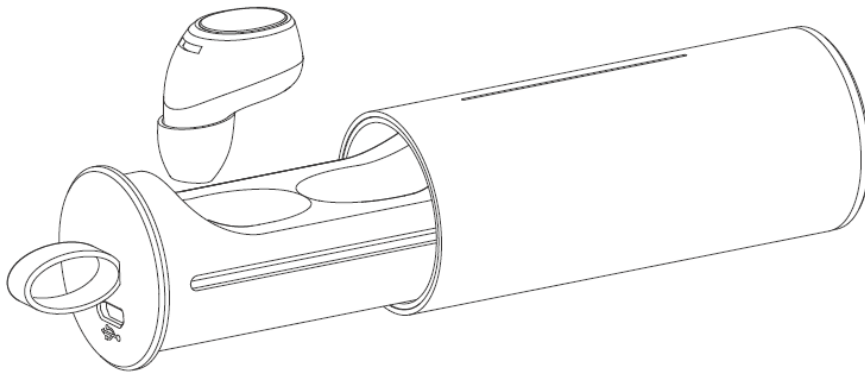
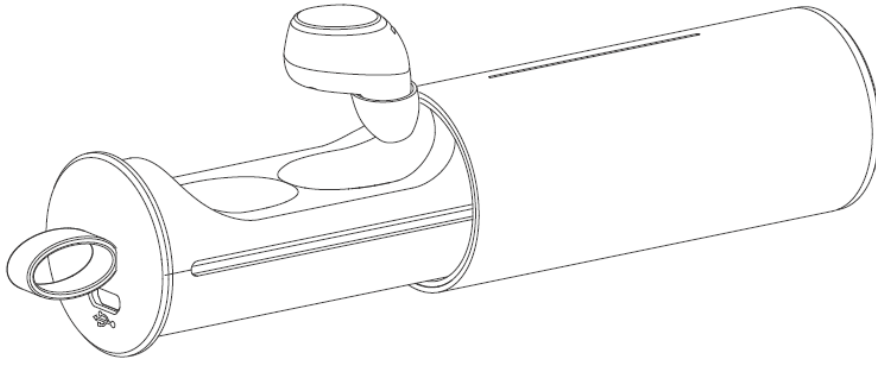
### **Charge**

#### **Charge the earbuds**

Put the earbuds into the case.

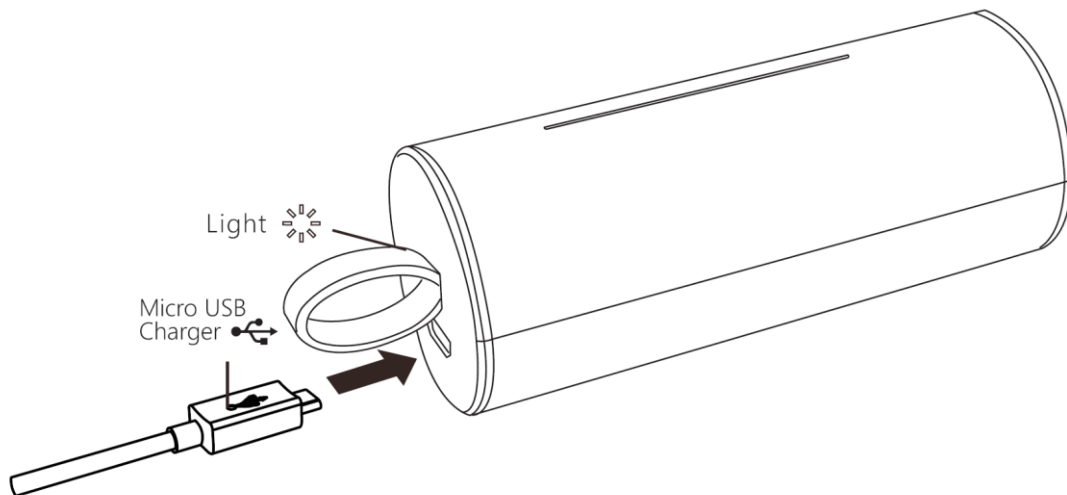
Push back the case until it is completely closed.

The earbud green light turns on when it is charging and light turns off when it is completely charged.



### Charge the case

Charging the case by plugging in the charging cable. The case light turns on when it is charging.



### Charge level

Your earbuds let you know when your battery level is low. Every 20 seconds you will hear “Battery low” when there is 15 minutes of battery level.

### Earbud status lights

Charging	Steady green light
Full charge	Light turn off
Pairing	Blinking blue and green

Note: The earbud lights turn off after full charge to conserve battery. The earbuds will continue to charge until full.

### Case statue lights

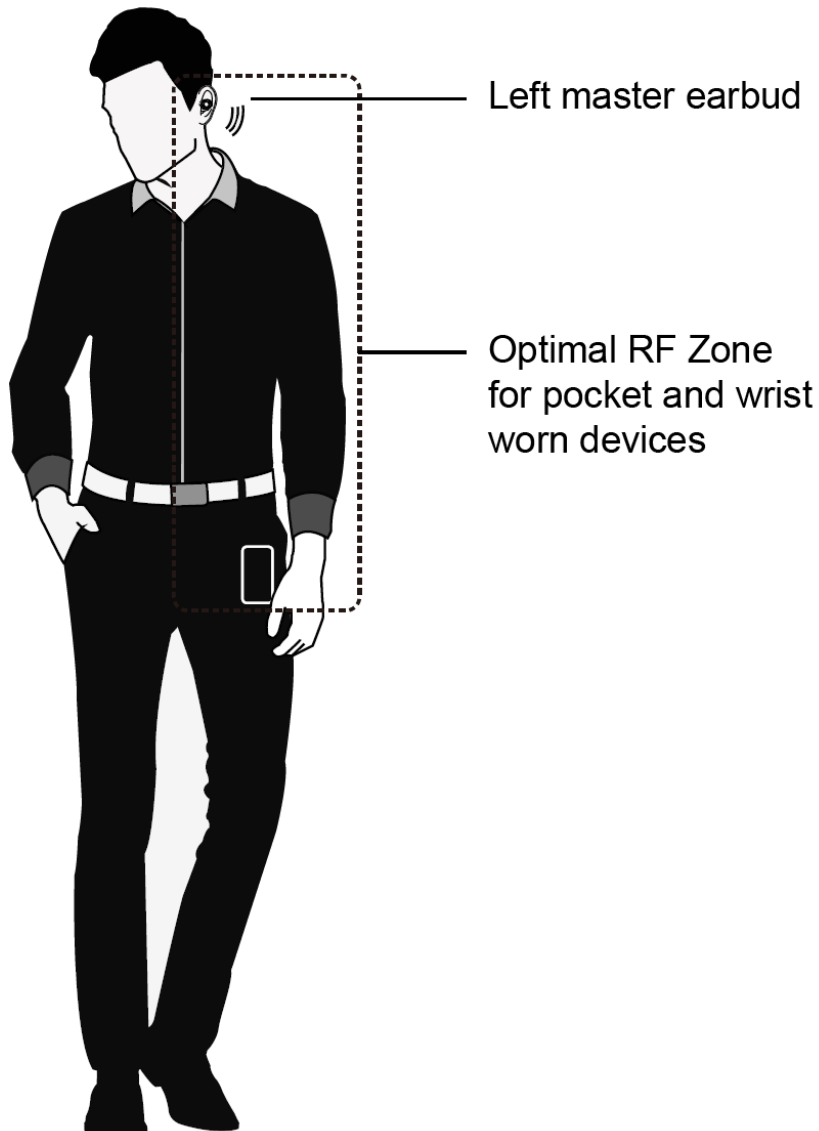
When your case is plugged into a charge cable for charging , you will see charging lights.

Charging	Steady blue light
Full charge	Light turn off
Battery low	Slow blinking blue

Note: Your battery is designed to last life of the product. It should only be removed by a recycling facility. And attempt to remove or replace your battery will damage the product and void your warranty.

### Get the best connection

To optimize Bluetooth connection and minimize drop, keep your device in the optimal RF zone.



### Earbuds LED Indicator Status

Charging	Green LED Light
Charging Complete	LED Light Off
Power ON	Blue LED light flashes for one second
Power Off	Green LED light flashes for one second
Pairing Mode	LED light flashes in green and blue alternately
Power On (Not Connected)	Blue LED light flashes once every 2 seconds
Power On (Connected)	Blue LED light flashes once every 5 seconds
Power On (Talking)	Blue LED light flashes once every 5 seconds
Power On (Dial Call)	Blue LED light flashes once every 5 seconds
Power On (Incoming Call)	Blue LED light flashes once every 5 seconds
Power On (Play Music)	Blue LED light flashes once every 5 seconds
Battery Low	Green LED light flashes once every 2 seconds with reminding tone "Battery Low"

#### **Notes (For earbuds):**

It will turn off automatically after 5 minutes if without any connection with mobile phone when it turns on.

Pairing time: 3 minutes. It will quit the pairing mode automatically after 3 minutes if without any connection with mobile phone when it is in the state of pairing.

In addition, it can show the battery state on Apple devices.

### Charging case LED Indicator Status

1. Pull charging case: Blue light breathing
2. Close charging case: Light off
3. Charging (charging case is closed): Lighting blue
4. Charging completed (charging case is closed): Light off
5. Low battery (pull charging case): Blue light flashing
6. Earbuds R & L put into the charging case (Blue light breathing): after closed the charging case, charging case light off; earbuds in charging, bright green LED light; earbuds charging completed, earbuds light off.
7. When charging case of electricity shortage, Using Micro USB cable to connect computers or USB port adapter power to charging, light blue led light when charging; charging completed, case light off.

### Basic Specifications of Earphone

1. Size: 23.6×16.5×26.7mm
2. Weight: 4.5g
3. Charging port: Magnetic type
4. Button: 1 (MFB button)
5. Charge indicator: Green LED light (Charging) / Light off (Charging completed)
6. Battery: Lithium-ion Polymer Rechargeable Battery, 55mAh
7. Earbuds Charging Current: 55mA
8. Earbuds Charging time: 1 hour
9. Working Voltage: 3.3V~4.2V
10. Standby time: about 40 hours

11. Earbuds with Charging case: Music Time:6~7.5 hours / Talking Time:6 hours
- 12.Earbuds (single charge): Music Time:2~2.5 hours / Talking Time:2 hours
- ※ Working time of main earphone in the state of two earphones: < 2.5 Hours
- 13.Bluetooth version: Bluetooth 4.2
- 14.Support Profile: HSP, HFP, A2DP, AVRCP
- 15.The remote control to speaker: MFB (Play/Pause/Stop/Next Song/Previous Song)
- 16.Paring name: MS01B(BES)
- 17.Pass: 0000
- 18.RF transmit: Class-2
- 19.Transmission Range (Hz): 2.40GHz ~ 2.48GHz
- 20.Transmission distance: 10m
- 21.TWS function: after two earbuds paired and connected, they can work as true wireless stereo earbuds,
- 22.Earbud R & L connected, only main earbud support call function (the one connected with phone);  
Earbud R & L disconnected, each earbud support call function.
- 23.Audio sampling accuracy: 16bits
- 24.Audio sampling rate: 44.1~48kHz
- 25.Audio encoding format: CVSD、MSBC、SBC、AAC
- 26.SNR: >95dB
- 27.Working temperature: -15°C ~ +60°C
- 28.Working humidity: 10%~85%( in a non-frozen state)

#### **Earbud Speaker Specifications**

- 1.Speaker specifications / mode:  $\Phi$ 6mm
- 2.Impedance: 16 $\Omega$ / TYP.
3. Frequency(Hz): 20Hz ~ 20KHz
4. Sensitivity: 93 $\pm$ 3dB
- 5.Input Power: 2.0mW (Normal), 5mW (Maximum)

#### **Earbud MIC Specifications**

- 1.MIC type: Silicon MIC
- 2.MIC sensitivity: -42 $\pm$ 3dB
- 3.SPL: 130dB

#### **Basic Specifications of Charging Case**

- 1.Size:  $\phi$ 32\*81.15mm
- 2.Weight:60.5g
- 3.Charging Port: Micro
- 4.Charging LED indicator/charging completed indicator: Blue LED lighting/Light off
- 5.Charging base(Full) provide power to earphone: 2~3 times
- 6.Battery: Lithium-ion Polymer rechargeable battery,702030 , 400mAh
- 7.Charging time : 2hrs
8. Input Voltage :DC5V
- 9.Charging current:300mA
- 10.Output Voltage:DC5V
- 11.Discharge current:55mA
- 12.Working temperature: -15°C ~ +60°C
- 13.Working humidity: 10%~85%( in a non-frozen state)



**Use this product responsibly**

MS01B(BES) are designed to give the user great sounding wireless earbuds. However the product should be used responsibly.

**Safety instructions for use**

To avoid hearing damage, keep the volume at a moderate level. Avoid listening to music at loud volume levels for prolonged periods of time as this may cause permanent hearing damage or hearing loss.

Your hearing is delicate and highly sensitive so please listen to your music responsibly.

Do not use MS01B(BES) when it is unsafe to do so. For example, while operating a vehicle, cycling, crossing a road, or any activity which requires your attention and ability to hear. You should be aware of your surroundings and use MS01B(BES) responsibly.

**Note:** If you are watching video while using your earbuds, your audio may be slightly out of sync with your device.

NOTE: This equipment has been tested and found to comply with the limits for a Class B digital device, pursuant to part 15 of the FCC Rules. These limits are designed to provide reasonable protection against harmful interference in a residential installation. This equipment generates uses and can radiate radio frequency energy and, if not installed and used in accordance with the instructions, may cause harmful interference to radio communications. However, there is no guarantee that interference will not occur in a particular installation. If this equipment does cause harmful interference to radio or television reception, which can be determined by turning the equipment off and on, the user is encouraged to try to correct the interference by one or more of the following measures:

- Reorient or relocate the receiving antenna.
- Increase the separation between the equipment and receiver.
- Connect the equipment into an outlet on a circuit different from that to which the receiver is connected.
- Consult the dealer or an experienced radio/TV technician for help

Changes or modifications not expressly approved by the party responsible for compliance could void the user's authority to operate the equipment. This device complies with Part 15 of the FCC Rules. Operation is subject to the following two conditions:

- (1) this device may not cause harmful interference, and
- (2) this device must accept any interference received, including interference that may cause undesired operation.