



TEST REPORT

Test Report No. : UL-RPT-RP-12527959-116-FCC

Applicant : Casambi Technologies Oy

Model No. : Xpress

FCC ID : 2ALA3-XPRESS

Technology : Bluetooth – Low Energy

Test Standard(s) : FCC Parts 15.209(a) & 15.247

For details of applied tests refer to test result summary

1. This test report shall not be reproduced in full or partial, without the written approval of UL International Germany GmbH.
2. The results in this report apply only to the sample tested.
3. The test results in this report are traceable to the national or international standards.
4. Test Report Version 1.0
5. Result of the tested sample: **PASS**

Prepared by: Segun I., Adeniji
Title: Engineer
Date: 08.November.2018

Approved by: Ajit, Phadtare
Title: Lead Test Engineer
Date: 08.November.2018



Deutsche
Akkreditierungsstelle
D-PL-19381-02-00

This laboratory is accredited by DAkkS.
The tests reported herein have been performed in
accordance with its' terms of accreditation.

This page has been left intentionally blank.

Table of Contents

1. Customer Information.....	4
1.1.Applicant Information	4
1.2.Manufacturer Information	4
2. Summary of Testing.....	5
2.1. General Information	5
Applied Standards	5
Location	5
Date information	5
2.2. Summary of Test Results	6
2.3. Methods and Procedures	6
2.4. Deviations from the Test Specification	6
3. Equipment Under Test (EUT)	7
3.1. Identification of Equipment Under Test (EUT)	7
3.2. Description of EUT	7
3.3. Modifications Incorporated in the EUT	7
3.4. Additional Information Related to Testing	8
3.5. Support Equipment	8
Manufacturer Supplied	8
4. Operation and Monitoring of the EUT during Testing	9
4.1. Configuration and Peripherals	9
5. Measurements, Examinations and Derived Results	10
5.1. General Comments	10
5.2. Test Results	11
5.2.1. Transmitter Duty Cycle	11
5.2.2. Transmitter Minimum 6 dB Bandwidth	13
5.2.3. Transmitter Maximum Peak Output Power	15
5.2.4. Transmitter Radiated Emissions	18
5.2.5. Transmitter Band Edge Radiated Emissions	25
6. Measurement Uncertainty	29
7. Used equipment.....	30
8. Report Revision History	32

1. Customer Information

1.1.Applicant Information

Company Name:	Casambi Technologies Oy
Company Address:	Bertel Jungin aukio 1 E, Espoo, 02600 Finland
Company Phone No.:	+358 10 5012950
Company E-Mail:	support@casambi.com
Contact Person:	Mr. Kai Totterman
Contact E-Mail Address:	kai.totterman@casambi.com
Contact Phone No.:	+358 45 137 9988

1.2.Manufacturer Information

Company Name:	Casambi Technologies Oy
Company Address:	Bertel Jungin aukio 1 E, Espoo, 02600 Finland
Company Phone No.:	+358 10 5012950
Company E-Mail:	support@casambi.com
Contact Person:	Mr. Kai Totterman
Contact E-Mail Address:	kai.totterman@casambi.com
Contact Phone No.:	+358 45 137 9988

2. Summary of Testing

2.1. General Information

Applied Standards

Specification Reference:	47CFR15.247
Specification Title:	Code of Federal Regulations Volume 47 (Telecommunications): Part 15 Subpart C (Intentional Radiators) - Section 15.247
Specification Reference:	47CFR15.209
Specification Title:	Code of Federal Regulations Volume 47 (Telecommunications): Part 15 Subpart C (Intentional Radiators) - Sections 15.209
Test Firm Registration:	399704

Location

Location of Testing:	UL International Germany GmbH Hedelfinger Str. 61 70327 Stuttgart Germany
-----------------------------	--

Date information

Order Date:	26 September 2018
EUT arrived:	04 October 2018
Test Dates:	04 October 2018
EUT returned:	-/-

2.2. Summary of Test Results

Clause	Measurement	Complied	Did not comply	Not performed	Not applicable
Part 15.207	Transmitter AC Conducted Emissions ¹	<input type="checkbox"/>	<input type="checkbox"/>	<input type="checkbox"/>	<input checked="" type="checkbox"/>
Part 15.247(a)(2)	Transmitter Minimum 6 dB Bandwidth	<input checked="" type="checkbox"/>	<input type="checkbox"/>	<input type="checkbox"/>	<input type="checkbox"/>
Part 15.247(e)	Transmitter Power Spectral Density ²	<input checked="" type="checkbox"/>	<input type="checkbox"/>	<input type="checkbox"/>	<input type="checkbox"/>
Part 15.247(b)(3)	Transmitter Maximum Peak Output Power	<input checked="" type="checkbox"/>	<input type="checkbox"/>	<input type="checkbox"/>	<input type="checkbox"/>
Part 15.247(d)/15.209(a)	Transmitter Radiated Emissions	<input checked="" type="checkbox"/>	<input type="checkbox"/>	<input type="checkbox"/>	<input type="checkbox"/>
Part 15.247(d)/15.209(a)	Transmitter Band Edge Radiated Emissions	<input checked="" type="checkbox"/>	<input type="checkbox"/>	<input type="checkbox"/>	<input type="checkbox"/>

Note(s):

1. In accordance with Part 15.207(c) measurements to demonstrate compliance are not required for devices which only employ battery power for operation and which do not operate from the AC power lines or contain provisions for operation while connected to the AC power lines.
2. In accordance with KDB 558074 D01 section 8.4 referencing ANSI C63.10:2013, subclause 11.10.1, PSD required if the maximum conducted output power is less than the PSD limit of 8 dBm / 3 kHz. The PSD level is therefore deemed to be equal to the measured total output power.

2.3. Methods and Procedures

Reference:	ANSI C63.10:2013
Title:	American National Standard of Procedures for Compliance Testing of Unlicensed Wireless Devices
Reference:	KDB 558074 D01 15.247 Meas Guidance v05 August 24, 2018
Title:	Guidance for Compliance Measurements on Digital Transmission System, Frequency Hopping Spread Spectrum System, and Hybrid System Devices Operating Under Section 15.247 of the FCC Rules

2.4. Deviations from the Test Specification

For the measurements contained within this test report, there were no deviations from, additions to, or exclusions from the test specification identified above.

3. Equipment Under Test (EUT)

3.1. Identification of Equipment Under Test (EUT)

Brand Name:	Casambi
Model Name or Number:	Xpress
Test Sample Serial Number:	94C1D447464F (EUT for Radiated tests)
Hardware Version Number:	v3.0
Software Version Number:	24.1
FCC ID:	2ALA3-XPRESS

Brand Name:	Casambi
Model Name or Number:	Xpress
Test Sample Serial Number:	0E4539C50606 (EUT for Conducted tests)
Hardware Version Number:	v3.0
Software Version Number:	24.1
FCC ID:	2ALA3-XPRESS

3.2. Description of EUT

The equipment under test was a battery operated, Bluetooth Low Energy device.

3.3. Modifications Incorporated in the EUT

No modifications were applied to the EUT during testing.

3.4. Additional Information Related to Testing

Technology Tested:	Bluetooth Low Energy (Digital Transmission System)		
Type of Unit:	Transceiver		
Channel Spacing:	2 MHz		
Modulation:	GFSK		
Data Rate:	1 Mbps		
Power Supply Requirement(s):	Nominal	3 VDC	
Maximum Conducted Output Power:	2.6 dBm		
Antenna Gain:	2 dBi		
Transmit Frequency Range:	2402 MHz to 2480 MHz		
Transmit Channels Tested:	Channel ID	RF Channel	Channel Frequency (MHz)
	Bottom	0	2402
	Middle	19	2440
	Top	39	2480

3.5. Support Equipment

The following support equipment was used to exercise the EUT during testing:

Manufacturer Supplied

Item	Description	Brand Name	Model Name or Number	Serial Number
1	MP3 player	Apple	iPod Touch	CCQSCOZMGGK6

4. Operation and Monitoring of the EUT during Testing

The EUT was tested in the following operating mode(s):

Transmitting at maximum power in Bluetooth LE mode with modulation, maximum possible data length available.

4.1. Configuration and Peripherals

The EUT was tested in the following configuration(s):

- The EUT was powered using a 3 VDC power supply.
- Controlled in test mode using a software application Utility installed on the MP3 player supplied by the customer. The application was used to enable a continuous transmission and to select the test channels as required. The customer supplied a document containing the setup instructions "Xpress Test Proposal Form" dated 27 September 2018.
- The EUT was made to transmit in the mode that results in the highest possible duty cycle.
- The EUT conducted sample was used for the measurements of Transmitter output power, duty cycle and bandwidth. For the conducted measurement, the EUT was made to transmit with normal duty cycle operation mode a transmitter delay between packets of 100 μ s.
- The EUT radiated sample was used for the measurements of Transmitter radiated spurious and band edge emissions. For the radiated measurements the EUT was made to transmit continuously with a duty cycle of more than 98 % delay between packets of 5 μ s. Therefore no duty cycle corrections are required for radiated emissions measured with RMS detector.
- EMC32 V10.1.0 Software was used for the Radiated spurious emission measurement.

5. Measurements, Examinations and Derived Results

5.1. General Comments

Measurement uncertainties are evaluated in accordance with current best practice. Our reported expanded uncertainties are based on standard uncertainties, which are multiplied by an appropriate coverage factor to provide a statistical confidence level of approximately 95%. Please refer to Section 6 *Measurement Uncertainty* for details.

In accordance with DAkkS requirements all the measurement equipment is on a calibration schedule. All equipment was within the calibration period on the date of testing.

5.2. Test Results

5.2.1. Transmitter Duty Cycle

Test Summary:

Test Engineer:	Segun I. Adeniji	Test Date:	04 October 2018
Test Sample Serial Number:	0E4539C50606		
Test Site Identification	SR 9		

FCC Reference:	Part 15.35(c)
Test Method Used:	FCC KDB 558074 Section 6.0

Environmental Conditions:

Temperature (°C):	22
Relative Humidity (%):	41

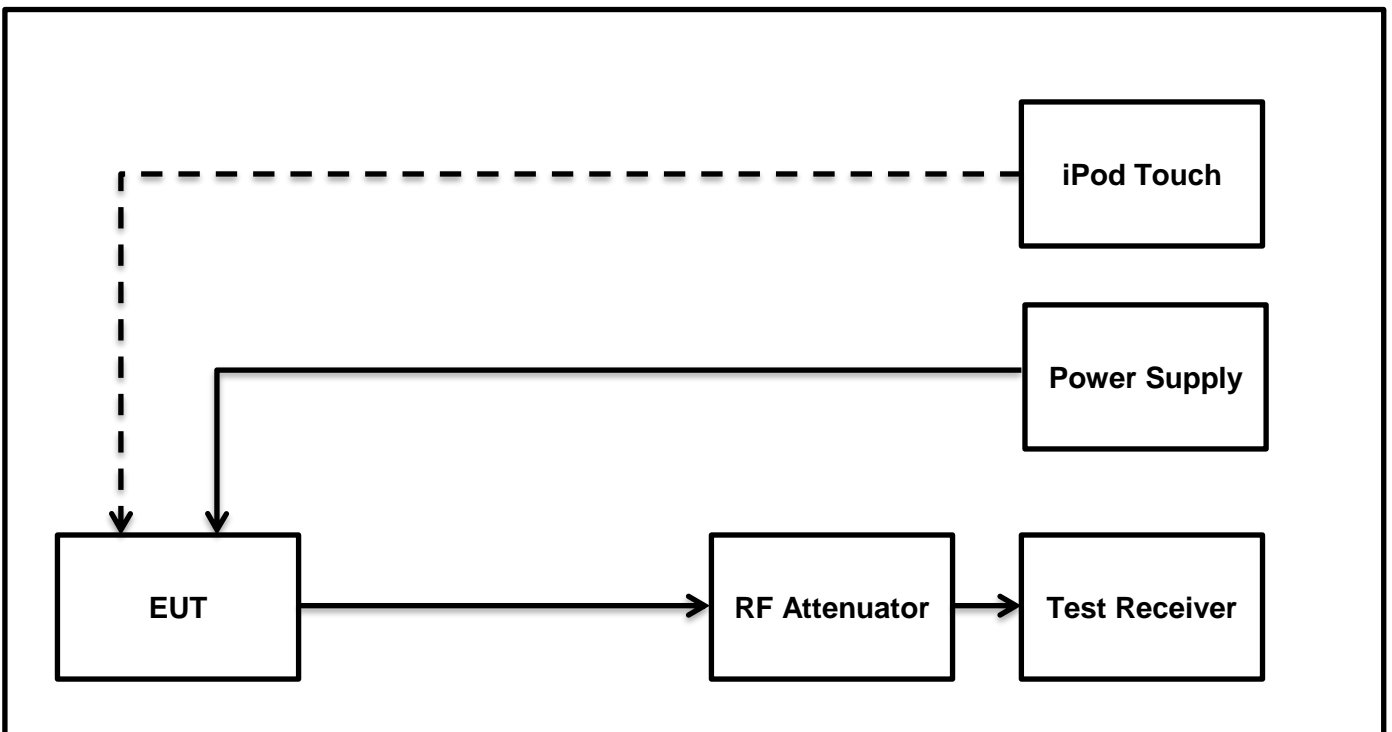
Note(s):

The transmitter duty cycle was measured using a spectrum analyser in the time domain and calculated by using the following calculation:

$10 \log (1 / (\text{On Time} / [\text{Period or } 100 \text{ ms whichever is the lesser}]))$.

BLE duty cycle: $10 \log (1 / (776.09 \mu\text{s} / 1005 \mu\text{s})) = 1.12 \text{ dB}$

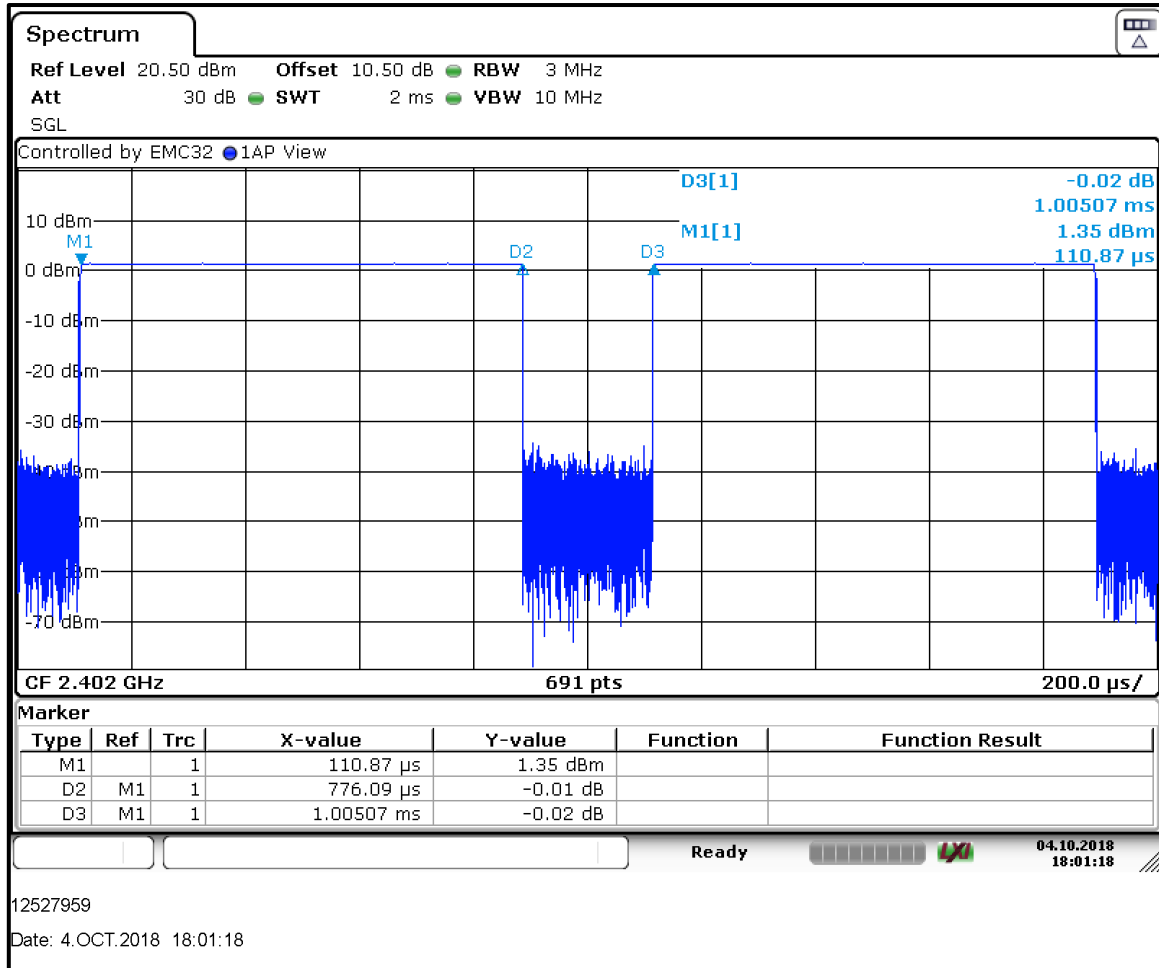
Test setup:



Transmitter Duty Cycle continued

Results:

Pulse Duration (µs)	Period (µs)	Duty Cycle Correction (dB)
776.09	1005	1.12



5.2.2. Transmitter Minimum 6 dB Bandwidth

Test Summary:

Test Engineer:	Segun I. Adeniji	Test Date:	04 October 2018
Test Sample Serial Number:	0E4539C50606		
Test Site Identification	SR 9		

FCC Reference:	Part 15.247(a)(2)
Test Method Used:	ANSI C63.10:2013 Section 11.8.1 Option 1

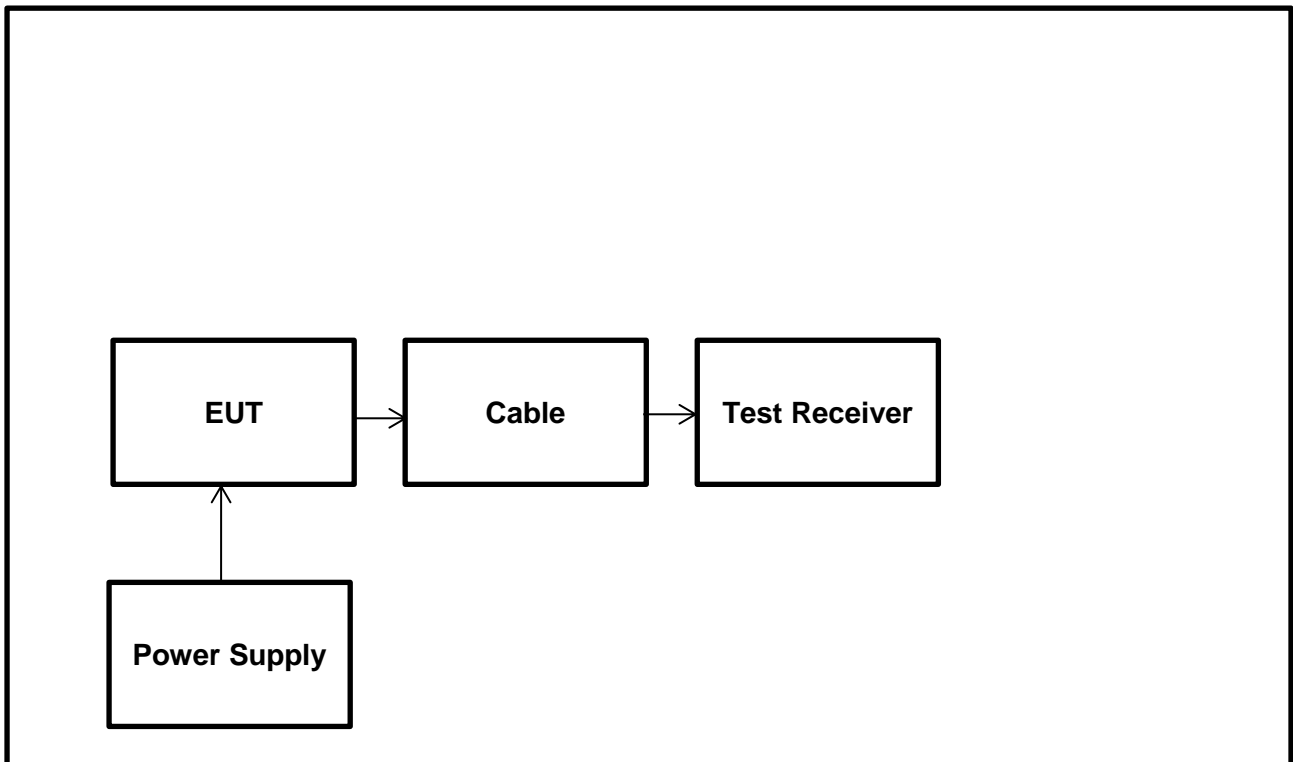
Environmental Conditions:

Temperature (°C):	23
Relative Humidity (%):	38

Note(s):

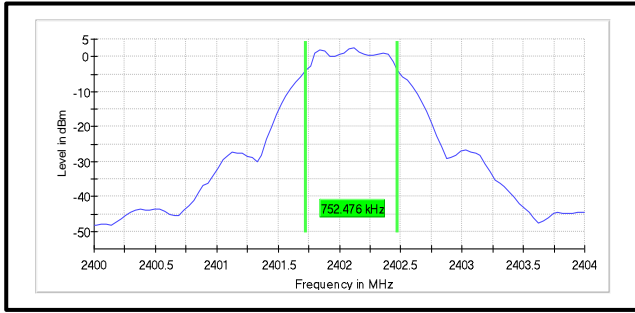
- 6 dB DTS bandwidth tests were performed using a spectrum analyser in accordance with FCC KDB 558074 Section 8.1 Option 1 measurement procedure. The spectrum analyser resolution bandwidth was set to 100 kHz and video bandwidth 300 kHz. A peak detector was used, sweep time was set to auto and the trace mode was Max Hold. The DTS bandwidth was measured at 6 dB down from the peak of the signal.
- The spectrum analyser was connected to the RF port on the EUT using suitable attenuation and RF cable.

Test Setup:

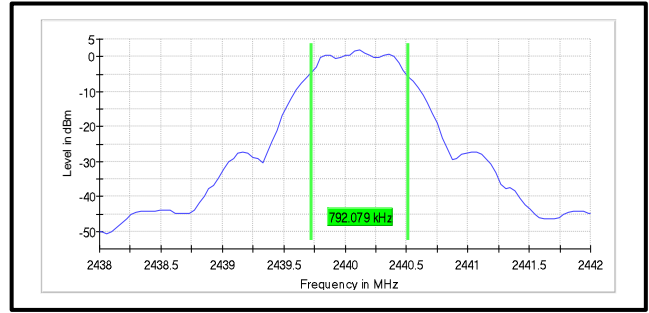


Results:

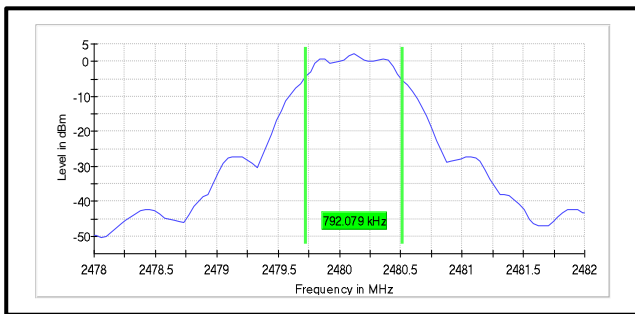
Channel	6 dB Bandwidth (kHz)	Limit (kHz)	Margin (kHz)	Result
Bottom	752.476	≥500	252.476	Complied
Middle	792.079	≥500	292.079	Complied
Top	792.079	≥500	292.079	Complied



Bottom Channel



Middle Channel



Top Channel

Result: Pass

5.2.3. Transmitter Maximum Peak Output Power

Test Summary:

Test Engineer:	Segun I. Adeniji	Test Date:	04 October 2018
Test Sample Serial Number:	0E4539C50606		
Test Site Identification	SR 9		

FCC Reference:	Part 15.247(b)(3)
Test Method Used:	FCC KDB 558074 Section 8.3.2.2 and Notes below

Environmental Conditions:

Temperature (°C):	23
Relative Humidity (%):	38

Note(s):

Conducted power tests were performed using a spectrum analyser in accordance with FCC KDB 558074 Section 8.3.2.2 with the RBW > DTS bandwidth procedure.

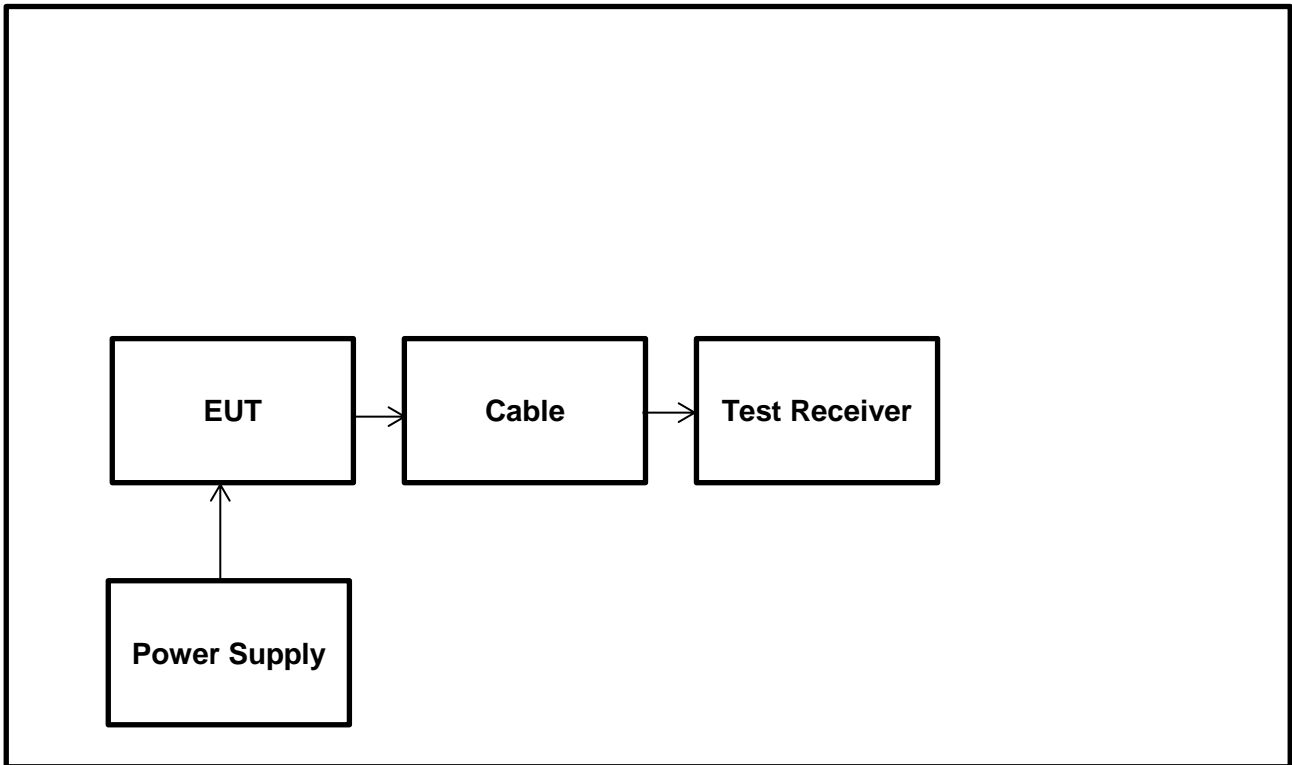
The signal analyser resolution bandwidth was set to 1 MHz and video bandwidth of 3 MHz. A peak detector was used, sweep time was set to auto and trace mode was Max Hold. The span was set to 3 MHz. A marker was placed at the peak of the signal and the results recorded in the table below.

The spectrum analyser was connected to the RF port on the EUT using suitable attenuation and RF cable. An RF level offset was entered on the spectrum analyser to compensate for the loss of the attenuator and RF cable.

The measurement was made with highest possible duty cycle

The declared antenna gain was added to conducted power to obtain the EIRP.

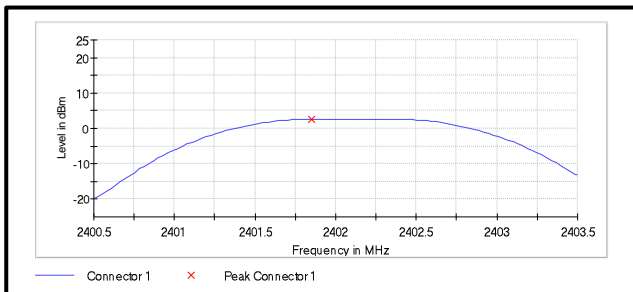
Test setup:



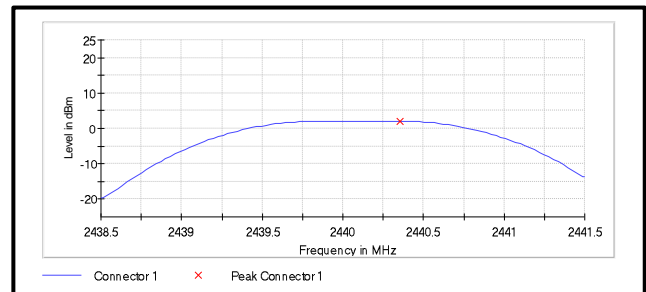
Results:

Channel	Conducted Peak Power (dBm)	Conducted Peak Power Limit (dBm)	Margin (dB)	Result
Bottom	2.6	30.0	27.4	Complied
Middle	2.0	30.0	28.0	Complied
Top	2.2	30.0	27.8	Complied

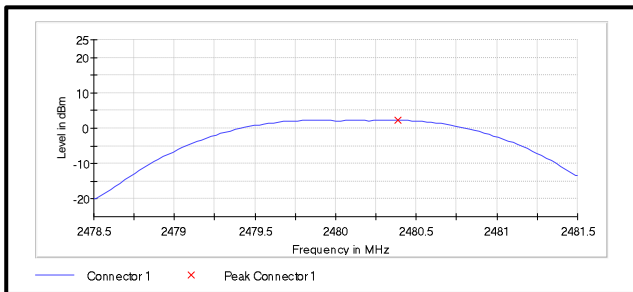
Channel	Conducted Peak Power (dBm)	Declared Antenna Gain (dBi)	EIRP (dBm)	De Facto EIRP Limit (dBm)	Margin (dB)	Result
Bottom	2.6	2.0	4.6	36.0	31.4	Complied
Middle	2.0	2.0	4.0	36.0	32.0	Complied
Top	2.2	2.0	4.2	36.0	31.8	Complied



Bottom Channel



Middle Channel



Top Channel

Result: Pass

5.2.4. Transmitter Radiated Emissions**Test Summary:**

Test Engineer:	Segun I. Adeniji	Test Date:	04 October 2018
Test Sample Serial Number:	94C1D447464F		
Test Site Identification	SR 1		

FCC Reference:	Parts 15.247(d) & 15.209(a)
Test Method Used:	ANSI C63.10:2013 Sections 6.3 and 6.5
Frequency Range	30 MHz to 1000 MHz

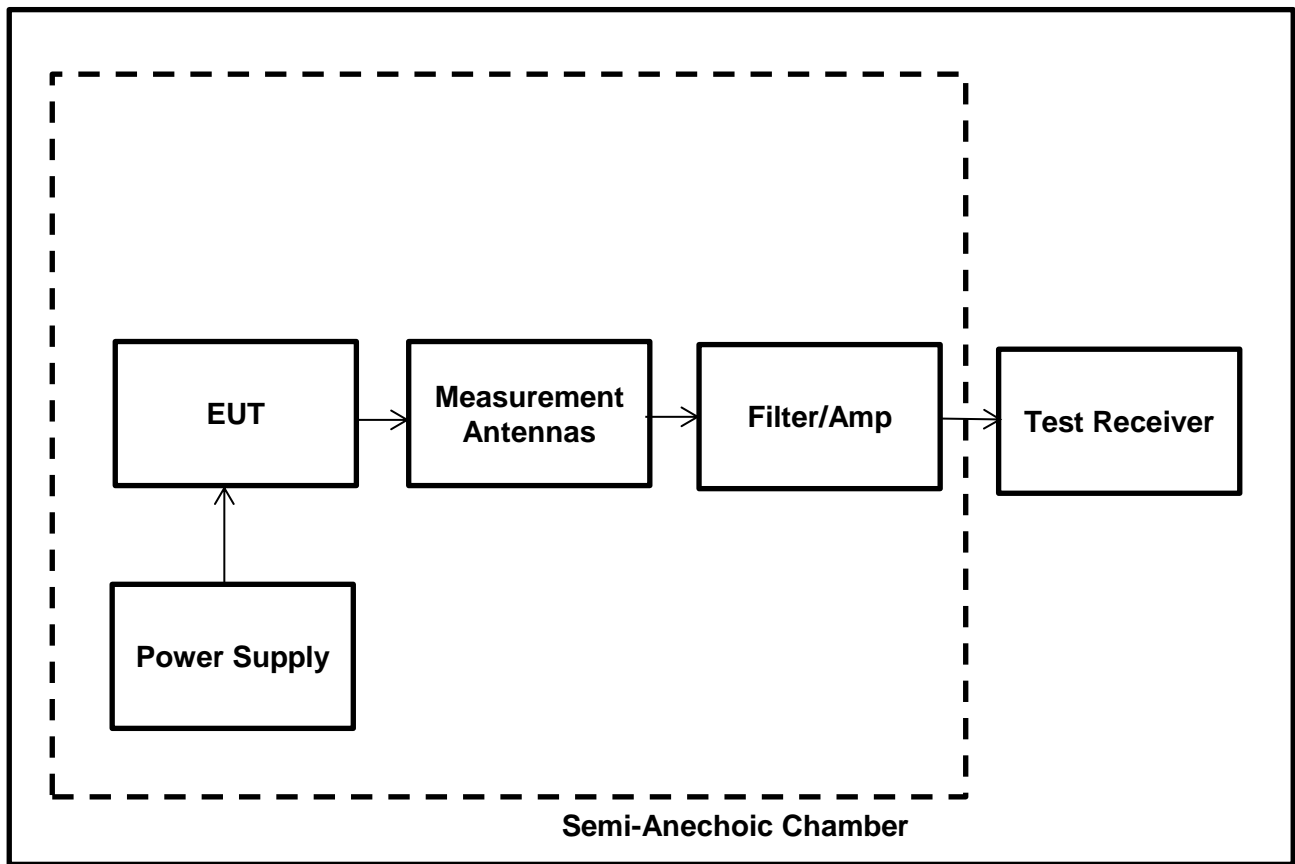
Environmental Conditions:

Temperature (°C):	21
Relative Humidity (%):	41

Note(s):

1. The final measured value, for the given emission, in the table below incorporates the calibrated antenna factor and cable loss.
2. The preliminary scans showed similar emission levels below 1 GHz, for each channel of operation. Therefore final radiated emissions measurements were performed with the EUT set to the middle channel only.
3. Measurements below 1 GHz were performed in a semi-anechoic chamber at a distance of 3 metres. The EUT was placed at a height of 80 cm above the reference ground plane in the centre of the chamber turntable. Maximum emission levels were determined by height searching the measurement antenna over the range 1 metre to 4 metres.
4. Pre-scans were performed and markers placed on the highest measured levels. The test receiver resolution bandwidth was set to 100 kHz and video bandwidth 300 kHz. A peak detector was used, sweep time was set to auto and trace mode was Max Hold.
5. Since no critical spurious was found even with peak detector measurement, hence no Quasi-peak detector remeasurement was required.

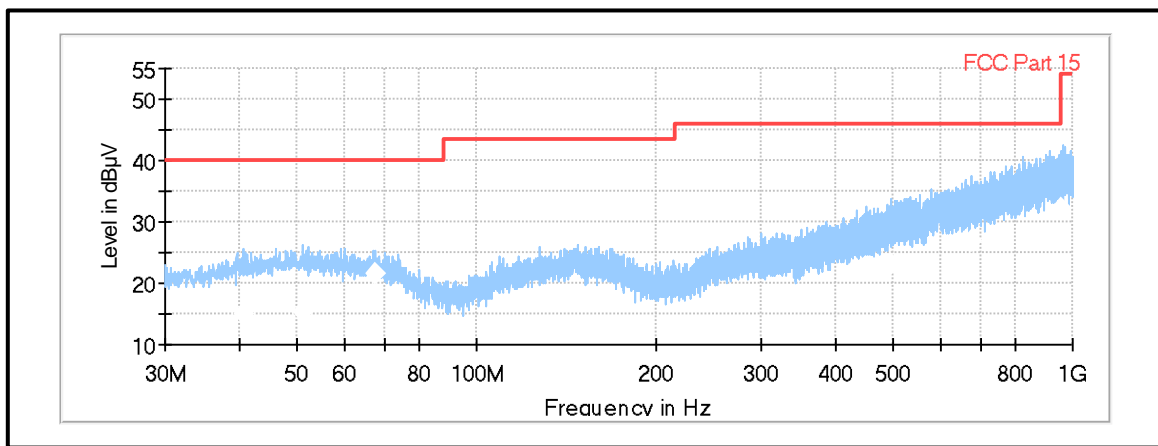
Test Setup:



Results: Middle Channel

Frequency (MHz)	Antenna Polarity	Level (dB μ V/m)	Limit (dB μ V/m)	Margin (dB)	Result
40.53	V	15.14	40.00	24.86	Complied
50.93	H	15.24	40.00	24.76	Complied
67.49	V	21.52	40.00	18.48	Complied
495.00	V	23.17	46.00	22.83	Complied
677.21	H	26.78	46.00	19.22	Complied
959.08	H	32.29	46.00	13.71	Complied

Plot: 30 MHz – 1GHz



Note: This plot is a pre-scan and for indication purposes only. For final measurements, see accompanying table.

Result: Pass

Test Summary:

Test Engineer:	Segun I. Adeniji	Test Date:	04 October 2018
Test Sample Serial Number:	94C1D447464F		
Test Site Identification	SR 1		

FCC Reference:	Parts 15.247(d) & 15.209(a)
Test Method Used:	FCC KDB 558074 Sections 8.5 & 8.6 referencing ANSI C63.10:2013 Sections 6.3 and 6.6
Frequency Range	1 GHz to 25 GHz

Environmental Conditions:

Temperature (°C):	21
Relative Humidity (%):	41

Note(s):

1. The final measured value, for the given emission, in the table below incorporates the calibrated antenna factor and cable loss.
2. All the spurious emissions detected were re-investigated and re-measured with an average detector and in this case the emission was compared to the peak limit. For frequency range between 18 GHz and 25 GHz, no critical emission was found so only the measurement receiver noise floor level has been measured and recorded in the table. The peak level was compared to the average limit as opposed to being compared to the peak limit because this is the more onerous limit. Only the middle channel plot was included in the report as similar result was obtained on both bottom and top channels.
3. The emission shown around the 2.4 GHz is the EUT fundamental.
4. Measurements above 1 GHz were performed in a semi-anechoic chamber at a distance of 3 metres. The EUT was placed at a height of 1.5 m above the reference ground plane in the centre of the chamber turntable. Maximum emission levels were determined by height searching the measurement antenna over the range 1 metre to 4 metres.
5. Pre-scans were performed and a marker placed on the highest measured level of the appropriate plot. The test receiver resolution bandwidth was set to 1 MHz and video bandwidth 3 MHz. The sweep time was set to auto.
6. *In accordance with ANSI C63.10:2013 Section 6.6.4.3, Note 1, if the peak measured value complies with the average limit, it is unnecessary to perform an average measurement.
7. The reference level for the emission in the non-restricted band was established by following KDB 558074 Section 8.5 procedure.

Results: Peak / Bottom Channel

Frequency (MHz)	Antenna Polarization	Level (dB μ V/m)	Limit (dB μ V/m)	Margin (dB)	Result
4803.6	Horizontal	56.99	74.0	17.01	Complied

Results: Average / Bottom Channel

Frequency (MHz)	Antenna Polarization	Level (dB μ V/m)	Limit (dB μ V/m)	Margin (dB)	Result
4804	Horizontal	52.70	54.0	1.30	Complied

Results: Peak / Middle Channel

Frequency (MHz)	Antenna Polarization	Level (dB μ V/m)	Limit (dB μ V/m)	Margin (dB)	Result
4880	Horizontal	57.52	74.0	16.48	Complied

Results: Average / Middle Channel

Frequency (MHz)	Antenna Polarization	Level (dB μ V/m)	Limit (dB μ V/m)	Margin (dB)	Result
4880	Horizontal	53.69	54.0	0.31	Complied

Results: Peak / Top Channel

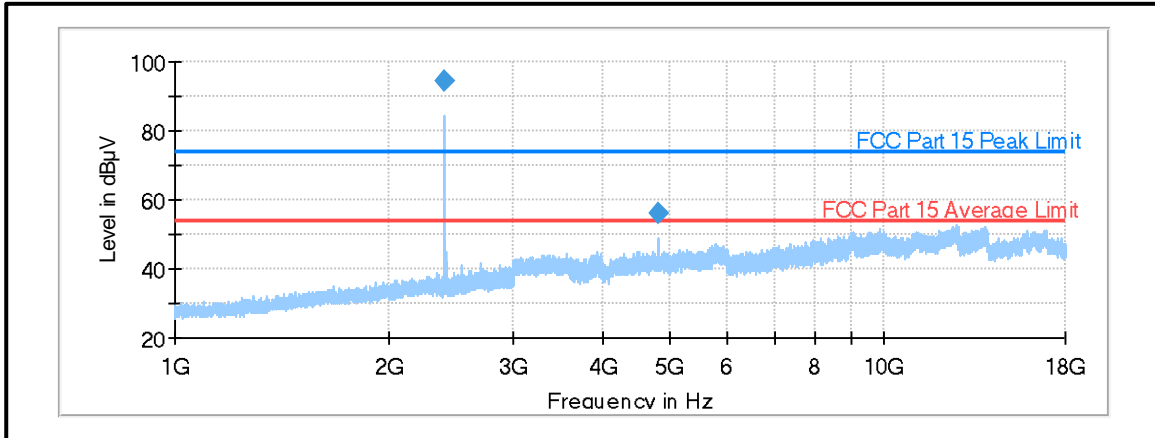
Frequency (MHz)	Antenna Polarization	Level (dB μ V/m)	Limit (dB μ V/m)	Margin (dB)	Result
4960.6	Vertical	55.50	74.0	18.50	Complied

Results: Average / Top Channel

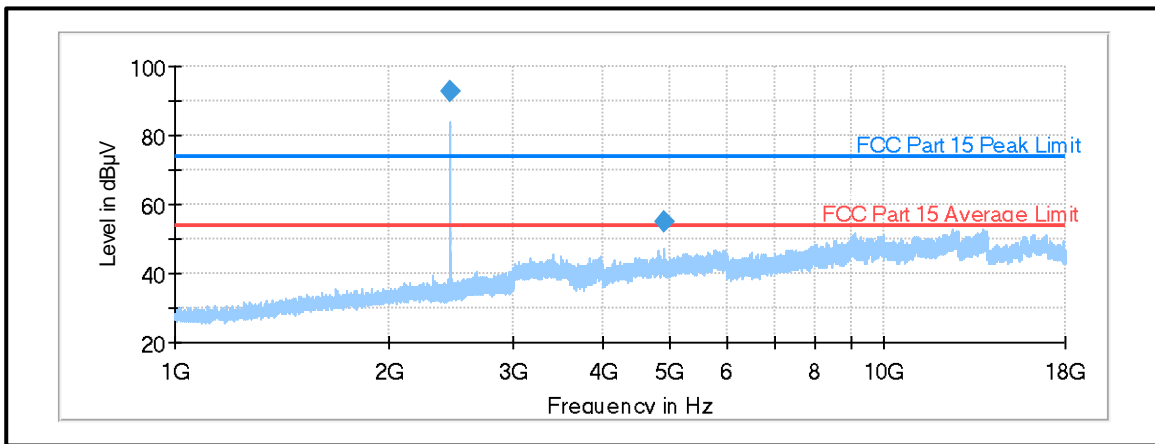
Frequency (MHz)	Antenna Polarization	Level (dB μ V/m)	Limit (dB μ V/m)	Margin (dB)	Result
4960	Vertical	53.29	54.0	0.71	Complied

Result: Pass

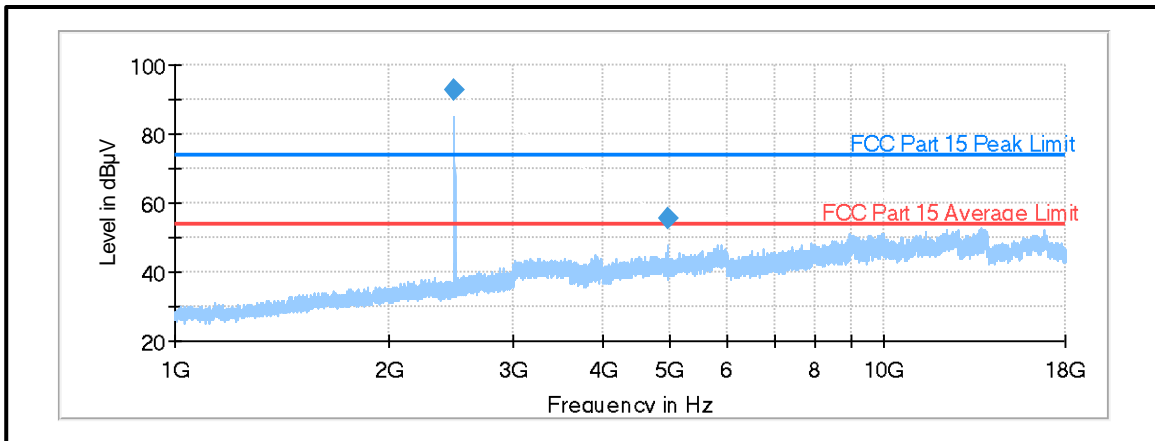
Plot: 1 GHz – 18GHz (Bottom channel) with Peak detector



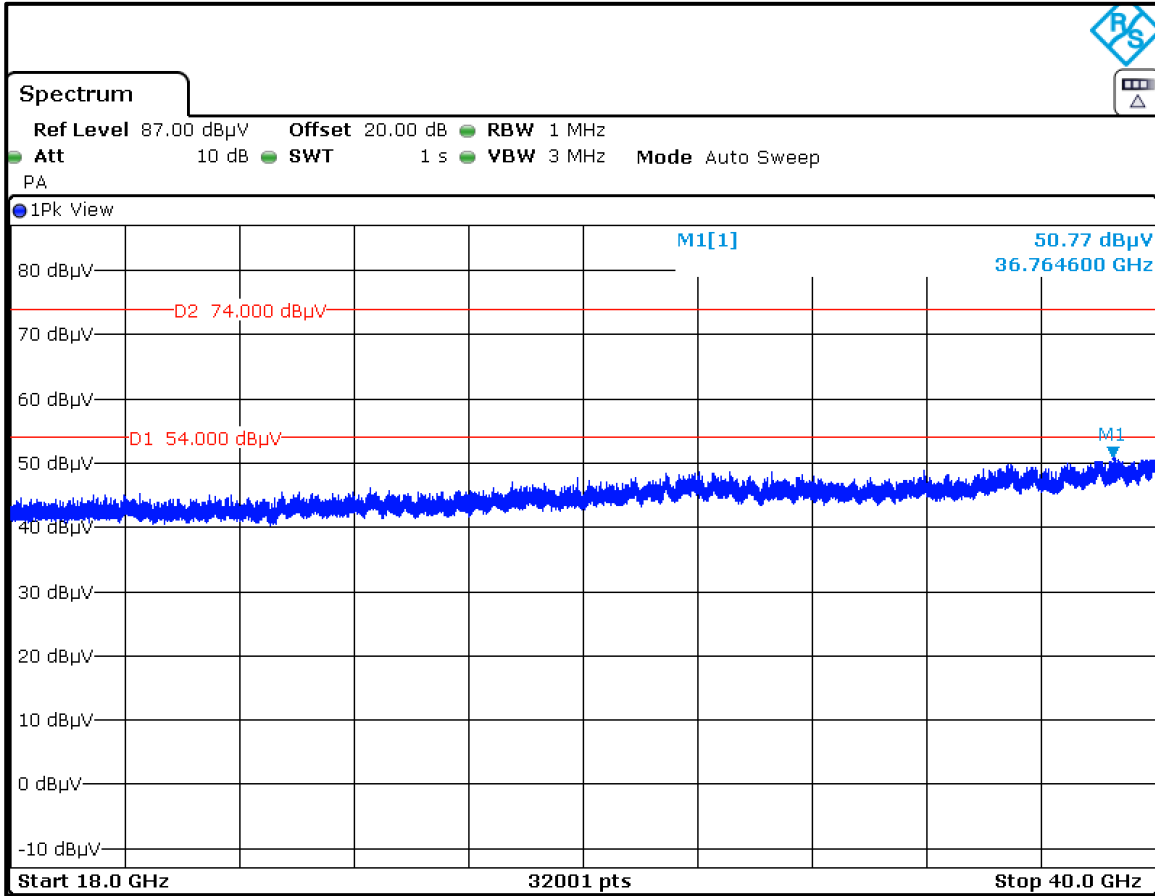
Plot: 1 GHz – 18GHz (Middle channel) with Peak detector



Plot: 1 GHz – 18GHz (Top channel) with Peak detector



Plot: 18 GHz – 25GHz (Middle channel) with Peak detector



Note: The above plots are pre-scans with peak detector and for indication purposes only. For final measurements, see accompanying tables.

5.2.5. Transmitter Band Edge Radiated Emissions**Test Summary:**

Test Engineer:	Segun I. Adeniji	Test Date:	04 October 2018
Test Sample Serial Number:	94C1D447464F		
Test Site Identification	SR 1		

FCC Reference:	Parts 15.247(d) & 15.209(a)
Test Method Used:	ANSI C63.10:2013 Section 6.10.4, 6.10.5 & Section 11.11

Environmental Conditions:

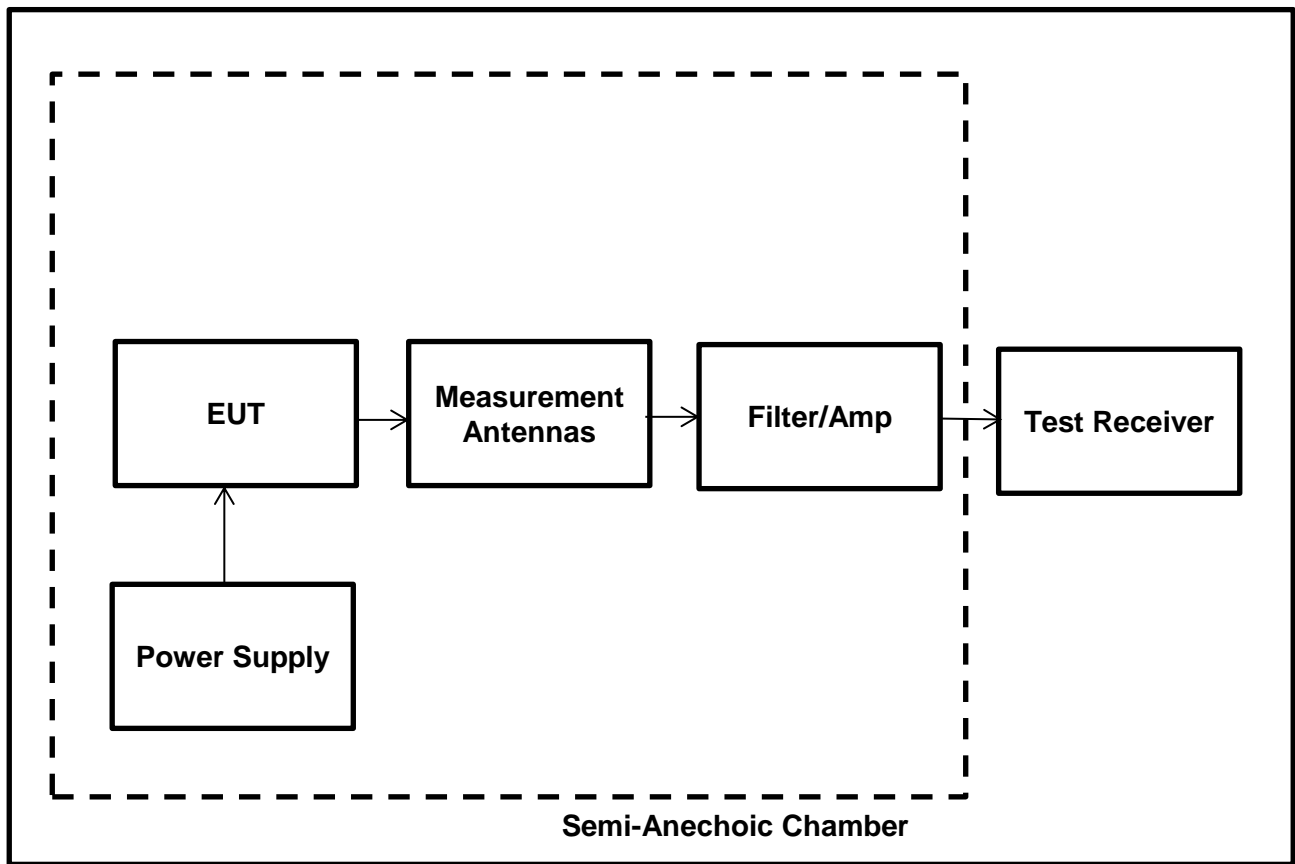
Temperature (°C):	21
Relative Humidity (%):	41

Note(s):

- As the lower band edges fall within non-restricted bands, only peak measurements are required. In accordance with ANSI C63.10:2013 Section 11.11.1. The test method in Section 11.11.3 was followed. The test receiver resolution bandwidth was set to 100 kHz and video bandwidth 300 kHz. A peak detector was used, sweep time was set to auto and trace mode was Max Hold. The test receiver was left to sweep for a sufficient length of time in order to maximise the carrier level and out-of-band emissions. A marker and corresponding reference level line were placed on the peak of the carrier. As the maximum peak conducted output power was measured using a peak detector, a marker was placed on the band edge spot frequencies and a second marker placed on the highest emission level in the adjacent non-restricted band of operation (where a higher level emission was present). Marker frequencies and levels were recorded.
- As the upper band edge falls within a restricted band both peak and average measurements were recorded by placing a marker at the edge of the band. For peak measurements the test receiver resolution bandwidth was set to 1 MHz and the video bandwidth 3 MHz. A peak detector was used, sweep time was set to auto and trace mode was Max Hold. For average measurements the test receiver resolution bandwidth was set to 1 MHz and the video bandwidth 3 MHz. An average detector was used, sweep time was set to auto and trace mode was Max Hold. The test receiver was left to sweep for a sufficient length of time in order to maximise the carrier level and out-of-band emissions. A marker was placed on the band edge spot frequencies and a second marker placed on the highest emission level in the adjacent restricted band of operation (where a higher level emission was present). Marker frequencies and levels were recorded.
- There is a restricted band 10 MHz below the lower band edge. The test receiver was set up as follows: the RBW set to 1 MHz, the VBW set to 3 MHz, with the sweep time set to auto couple. Peak and average measurements were performed with their respective detectors. Markers were placed on the highest point on each trace.

*Emissions in restricted bands: In accordance with ANSI C63.10:2013 Section 6.6.4.3, Note 1, where the peak detected amplitude was shown to comply with the average limit, an average measurement was not performed.

Test Setup:



Results: Lower Band Edge/Peak

Frequency (MHz)	Level (dBµV/m)	-20 dBc Limit (dBµV/m)	Margin (dB)	Result
2400.00	50.91	71.15	20.24	Complied
2390.64	53.03	71.15	18.12	Complied

Results: Upper Band Edge / Restricted Band / Peak

Frequency (MHz)	Level (dBµV/m)	Limit (dBµV/m)	Margin (dB)	Result
2483.50	57.39	74.0	16.61	Complied

Results: Upper Band Edge / Restricted Band / Average

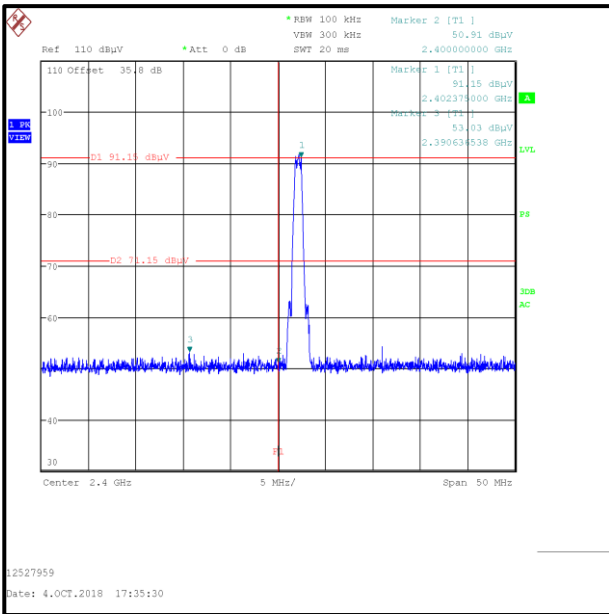
Frequency (MHz)	Average Level (dBµV/m)	Limit (dBµV/m)	Margin (dB)	Result
2483.50	52.34	54.0	1.66	Complied

Results: 2310 to 2390 MHz Restricted Band / Peak

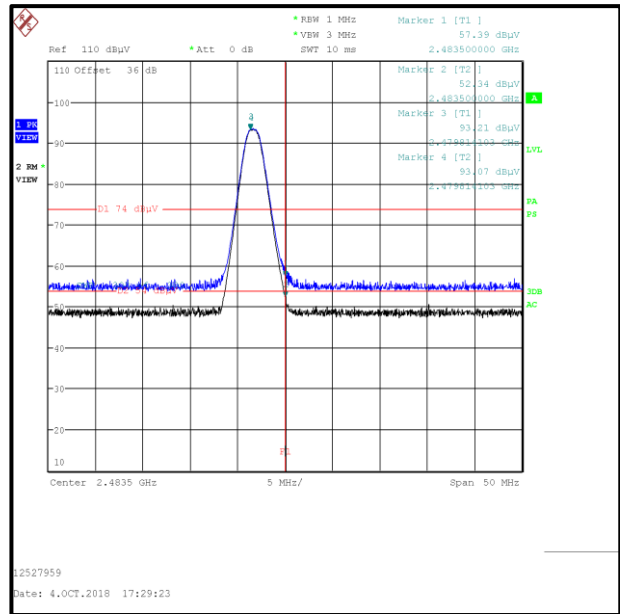
Frequency (MHz)	Peak Level (dBµV/m)	Limit (dBµV/m)	Margin (dB)	Result
2388.07	56.93	74.0	17.07	Complied

Results: 2310 to 2390 MHz Restricted Band / Average

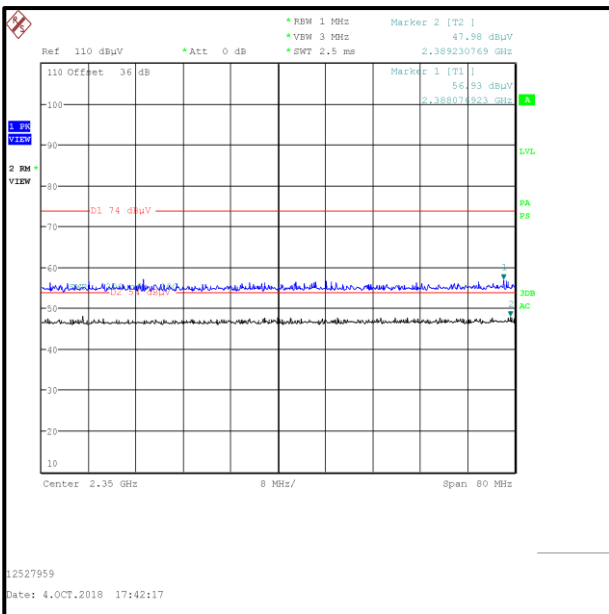
Frequency (MHz)	Average Level (dBµV/m)	Limit (dBµV/m)	Margin (dB)	Result
2389.35	47.98	54.0	6.02	Complied



Lower Band Edge Peak Measurement



Upper Band Edge Peak & Average Measurement



2310 MHz to 2390 MHz Restricted Band Plot

6. Measurement Uncertainty

The expression of uncertainty of a measurement result allows realistic comparison of results with reference values and limits given in specifications and standards.

The uncertainty of the result may need to be taken into account when interpreting the measurement results.

The reported expanded uncertainties below are based on a standard uncertainty multiplied by an appropriate coverage factor such that a confidence level of approximately 95% is maintained. For the purposes of this document “approximately” is interpreted as meaning “effectively” or “for most practical purposes”.

Measurement Type	Confidence Level (%)	Calculated Uncertainty
Conducted Maximum Peak Output Power	95%	±0.59 dB
Radiated Spurious Emissions	95%	±3.10 dB
Band Edge Radiated Emissions	95%	±3.10 dB
Minimum 6 dB Bandwidth	95%	±0.87 %
Spectral Power Density	95%	±0.59 dB

The methods used to calculate the above uncertainties are in line with those recommended within the various measurement specifications. Where measurement specifications do not include guidelines for the evaluation of measurement uncertainty the published guidance of the appropriate accreditation body is followed.

7. Used equipment

Test site: SR 1/2

ID	Manufacturer	Type	Model	Serial No.	Calibration Date	Cal. Cycle
103	EMCO	Antenna, Horn	3115	9008/3485	7/20/2016	36
104	EMCO	Antenna, Horn	3115	9008/3486	7/20/2016	36
156	Rohde & Schwarz	V-Network	ESH3-Z6	843864/004	7/11/2018	12
350	Rohde & Schwarz	Receiver, EMI Test	ESIB7	836697/014	7/12/2018	12
377	BONN Elektronik	Amplifier, Low Noise Pre	BLMA 0118-1A	025294B	7/12/2018	12
383	Rohde & Schwarz	Antenna, Rod	HFH2-Z1	890151/11	7/14/2017	24
423	Bonn Elektronik	Amplifier, Low Noise Pre	BLMA 1840-1A	055929	7/12/2018	12
424	EMCO	Antenna, Horn	EMCO 3116	00046537	7/28/2016	36s
425	Agilent	Generator, CW Signal	E8247C	MY43320849	7/10/2018	24
426	Agilent	Spectrum Analyzer	E4446A	US44020316	7/11/2018	24
460	Deisl	Turntable	DT 4250 S		n/a	n/a
465	Schwarzbeck	Antenna, Trilog Broadband	VULB 9168	9168-240	8/8/2016	36
474	Agilent	Analyzer, ENA Network	E5071C	MY46100912	7/13/2018	24
495	Rohde & Schwarz	Antenna, Log. - Periodical	HL050	100296	7/20/2016	36
496	Rohde & Schwarz	Antenna, log. - periodical	HL050	100297	7/20/2016	36
497	Schwarzbeck	Antenna, Biconical	VHBB 9124	423	7/7/2016	36
499	Schwarzbeck	Antenna, log.-per	VUSLP 9111	317	8/2/2016	36
587	Maturo	antenna mast, tilting	TAM 4.0-E	011/7180311	n/a	n/a
588	Maturo	Controller	NCD	029/7180311	n/a	n/a
591	Rohde & Schwarz	Receiver	ESU 40	100244/040	7/12/2018	12
607	Schwarzbeck	Antenna broadband horn antenna	BBHA 9170	9170-561	7/28/2016	36
608	Rohde & Schwarz	Switch Matrix	OSP 120	101227	4/8/2014	60
614	Wainwright Instruments	Highpass Filter 3GHz	WHKX10-	1	Lab verification	n/a
615	Wainwright Instruments	Highpass Filter 1GHz	WHKX12-	3	Lab verification	n/a
620	Bonn Elektronik	pre-amplifier	BLNA 0110-01N	1510111	7/12/2017	24
624	Wainwright	6 GHz high-pass filter	WHKX10-5850-6500-18000-40SS	5	Lab verification	n/a
628	Maturo	Antenna mast	CAM 4.0-P	224/19590716	n/a	n/a
629	Maturo	Kippeinrichtung	KE 2.5-R-M	MAT002	n/a	n/a

Test site: SR 9

ID	Manufacturer	Type	Model	Serial No.	Calibration Date	Cal. Cycle
472	Rohde & Schwarz	Generator, Vektorsignal	SMU200A	102409	7/11/2018	12
592	Rohde & Schwarz	Wideband Radio Communication tester	CMW 500	119593	8/15/2017	12
622	Rohde & Schwarz	Step Attenuator	RSC	101904	7/12/2018	12
625	Schwarzbeck	Antenna, H-field	HFSL 7101	109	Verification - only relative measurements	n/a
635	Rohde & Schwarz	Signal generator	SMB100A	179875	7/10/2018	12
636	Rohde & Schwarz	switching unit	OSP120	101698	7/12/2018	12
637	Rohde & Schwarz	Spectrum Analyzer	FSV40	101587	7/11/2018	12
423	Bonn Elektronik	Amplifier, Low Noise Pre	BLMA 1840-1A	55929	7/12/2018	24
451	Rohde & Schwarz	Power Meter, Dual Channel	NRVD	101190	7/10/2018	12
427	Rohde & Schwarz	Probe, Power Sensor	NRV-Z5	100106	7/12/2018	12
195	SPS	Power Supply	TOE8842-24	51455	Verified by Multimeter	12
216	Agilent	Multimeter	34401A	US36017458	7/11/2017	24
378	ESPEC/ Thermotec	Climatic Chamber	PL-1FT	5100869	8/9/2016	36

8. Report Revision History

Version Number	Revision Details		
	Page No(s)	Clause	Details
1.0	-	-	Initial Version