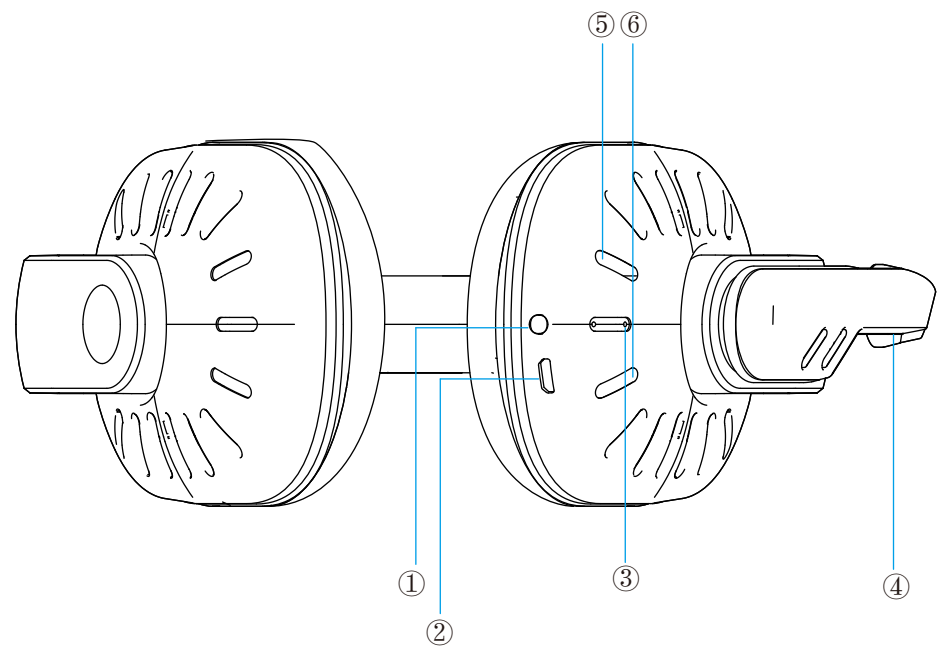


LUP052 Infinity



- ① AUX port
- ② Charging port
- ③ LED indicator
- ④ Microphone
- ⑤ Light On/Off
- ⑥ Power On/Off, Accept/End/Reject call

Package Contents



1X Wireless Bluetooth®
Headphones



1X Micro USB Cable



1X Instruction Manual



1X Aux Cable

Function	Instruction
Power On/Off	Press and hold the Power button for 3s to turn on the headphone. Press and hold the button for 3s again to turn off the headphone.
Pairing	After the headphone is on, the LED indicator blinks red and blue alternately indicating the headphone is now in pairing mode. Turn on your smart device's Bluetooth settings, look for 'LUP052 Infinity' and initiate pairing with the headphone. The headphone LED indicator will turn solid blue if the pairing is successful.
LED Light On/Off	Press once the Light button to turn on the headphone's light effect. Press the button again to turn off the light.
Music Play/Pause	When listening to music, press the Power button once to pause the music, press again to resume the music.
Accept/End/Reject call & Redial function	When there is an incoming call, press the power button once to accept call, press the button again to end call, long press the button for 2s to reject call. Double tap the button to redial to the last called number.

How to charge your headphone

When the headphone battery is running low, charge the device by plugging in the microUSB plug of the charging cable into the headphone's charging port, and the USB plug to a power source. The LED indicator will turn solid red when charging, and turn off when the headphone is fully charged.

This device complies with Part 15 of the FCC Rules. Operation is subject to the following two conditions: (1) this device may not cause harmful interference, and (2) this device must accept any interference received, including interference that may cause undesired operation.

Changes or modifications to this unit not expressly approved by the party responsible for compliance could void the user's authority to operate the equipment.

NOTE: This equipment has been tested and found to comply with the limits for a Class B digital device, pursuant to Part 15 of the FCC Rules. These limits are designed to provide reasonable protection against harmful interference in a residential installation. This equipment generates uses and can radiate radio frequency energy and, if not installed and used in accordance with the instructions, may cause harmful interference to radio communications. However, there is no guarantee that interference will not occur in a particular installation. If this equipment does cause harmful interference to radio or television reception, which can be determined by turning the equipment off and on, the user is encouraged to try to correct the interference by one or more of the following measures:

- Reorient or relocate the receiving antenna.
- Increase the separation between the equipment and receiver.
- Connect the equipment into an outlet on a circuit different from that to which the receiver is connected.
- Consult the dealer or an experienced radio/TV technician for help.

This device and its antenna(s) must not be co-located or operation in conjunction with any other antenna or transmitter.

Radiation Exposure Statement

The device has been evaluated to meet general RF exposure requirement in portable exposure condition without restriction.