

uniarch

EN/ES/DE/FR/IT/PL

Outdoor Pan&Tilt Wi-Fi Camera Quick Guide

 Instagram : uniarch_global

 Youtube : Uniarch Global

 Facebook : Uniarch

 LinkedIn : uniarch_global



Contents

English.....1

Spanish.....8

German.....15

French.....22

Italian.....29

Polish..... 36

Disclaimer and Safety Warnings.....43

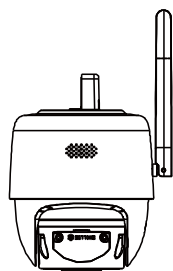


For more information, please visit <https://www.uniarch.cn/Support/>

Packing List



The package contents may vary with device model and version.



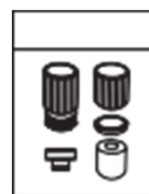
Camera



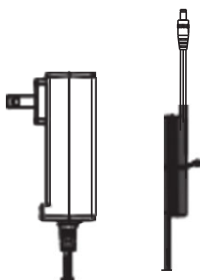
Bracket



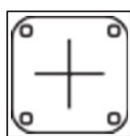
Screw components



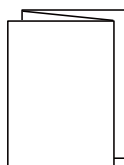
Waterproof components



Power adapter



Sticker

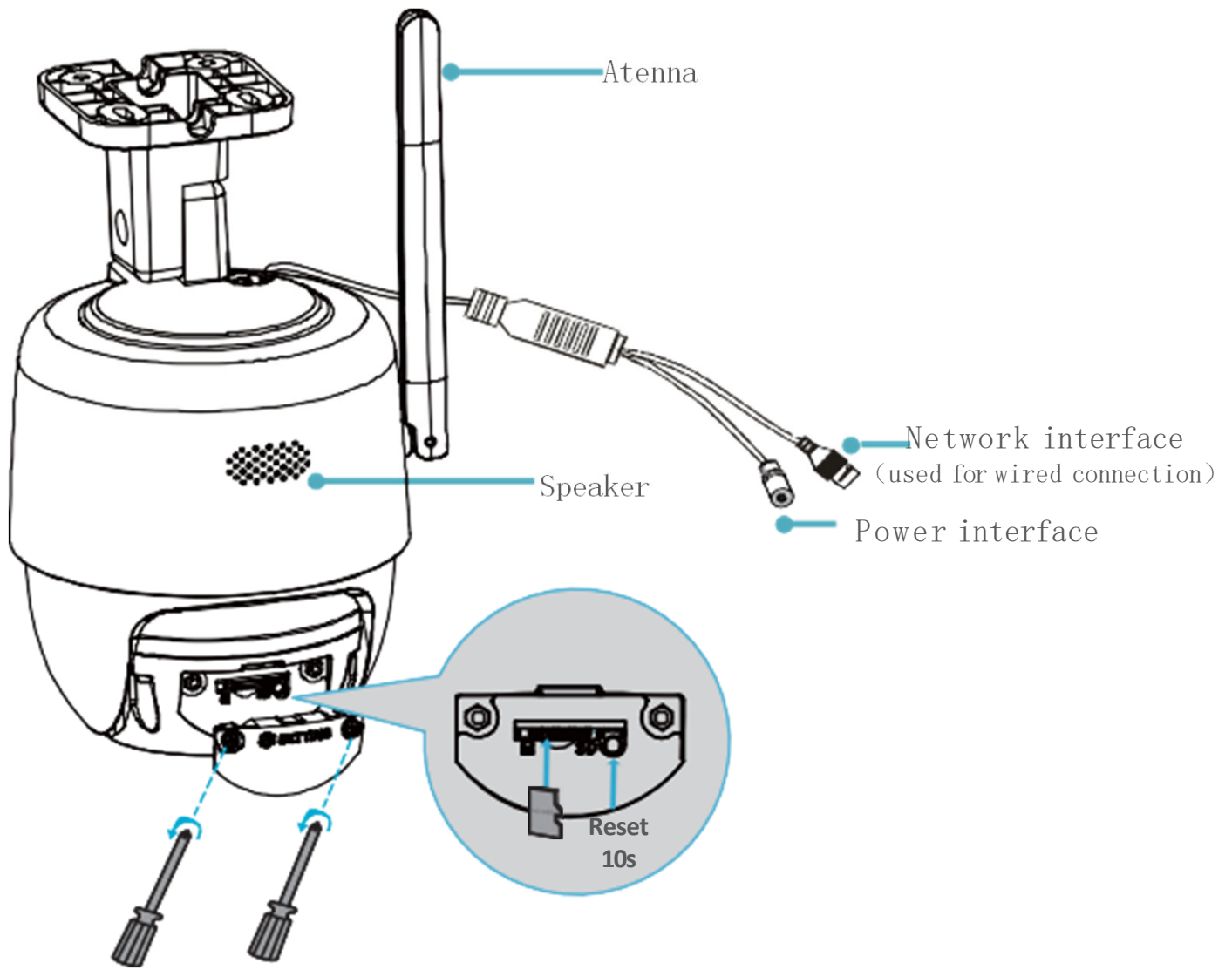


Quick guide



Warning sticker

Interfaces



CAUTION

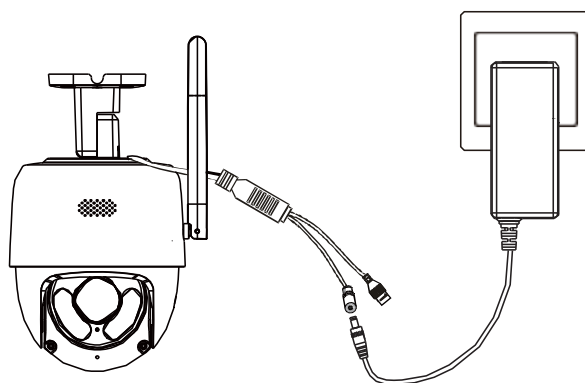
Do not insert or remove the Micro SD card while power is connected; it may damage the camera and the SD card

Add Device to Uniarch

1. Ensure that your router supports a 2.4G Hz Wi-Fi network.



2. Connect the camera to power.



3. Download and install uniarch.

A: Scan QR code

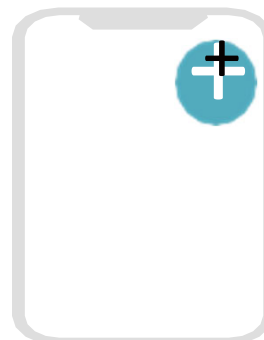


B: Search in app stores



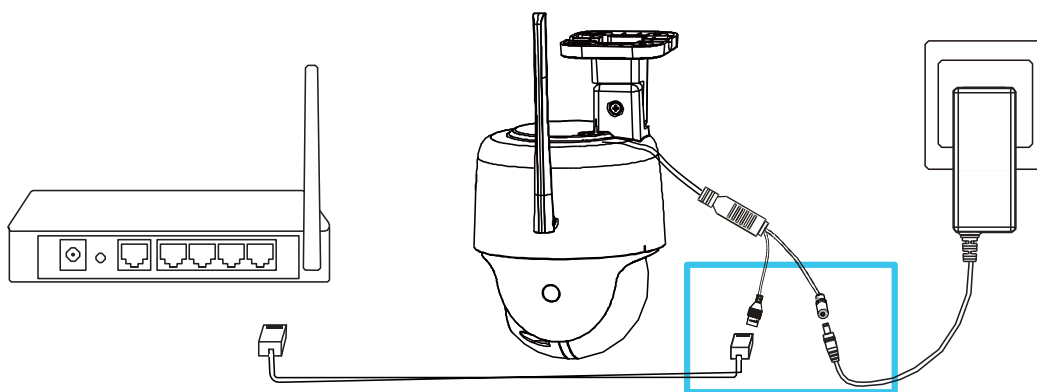
4. Add the camera to uniarch.

Tap **+**, and follow the on-screen instructions to proceed.



(Optional) Web Login

1. Connect the camera to power and a router.



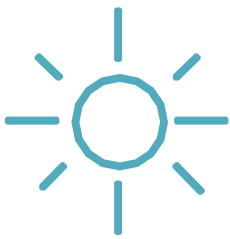
2. Log in to the Web interface.

A screenshot of a web browser displaying the camera's login page. The page has a teal header bar. In the top right corner, there is a language dropdown menu set to "English". Below the header, there are two input fields: "Username" with the text "admin" and "Password" with masked characters "*****". To the right of the password field is a link that says "Forgot Password?". Below the input fields, there is a checkbox labeled "Live View" which is checked. At the bottom, there are two buttons: "Login" and "Reset".

Default IP: 192.168.1.13
Username: admin
Password: 123456

Installation Environment

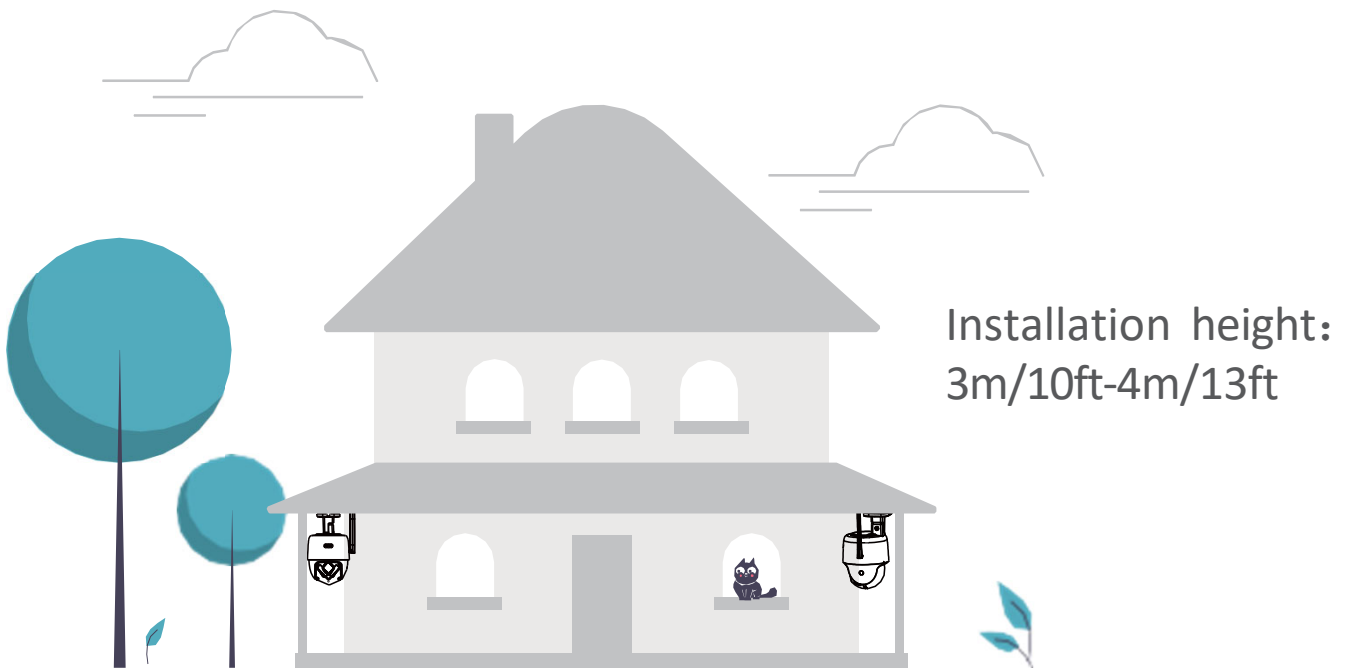
Avoid direct sunlight



Avoid lens tampering



Ensure that the live video can be played smoothly



Mount Your Camera

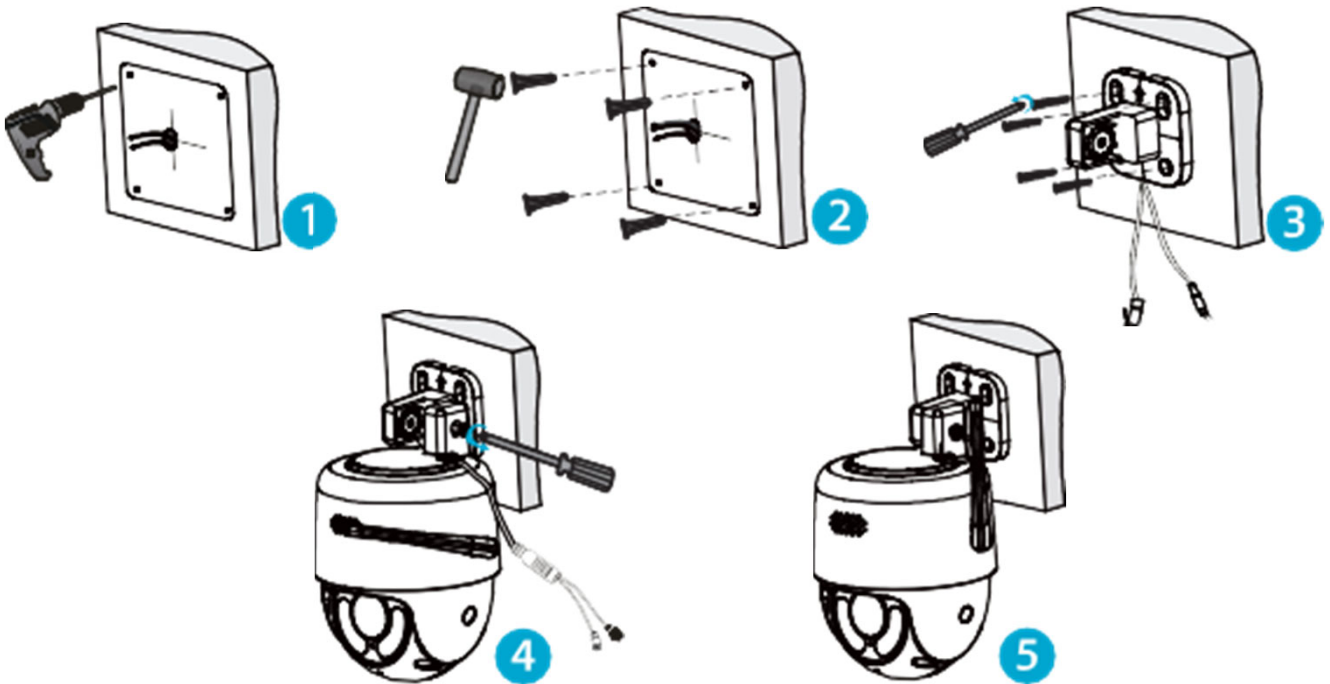
1. Tools



2. Accessories

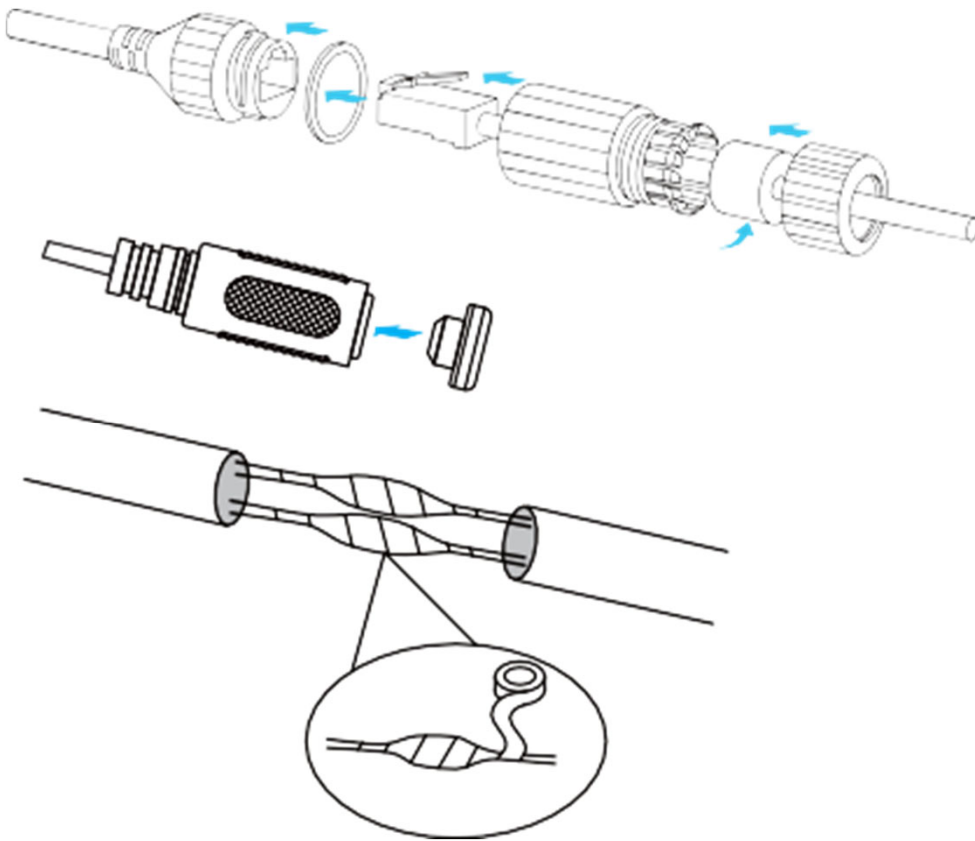


3. Mount the camera. Take wall mount as an example.



Waterproof Requirements

Please waterproof cables in accordance with the following instructions. User shall assume all responsibility for device damage caused by water due to improper waterproof measures.



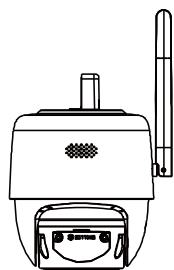
Caution

Use insulation tape (not included in the package) to insulate the connection part of each cable

Lista de embalaje



El contenido del paquete puede variar según el modelo y la versión del dispositivo.



Cámara



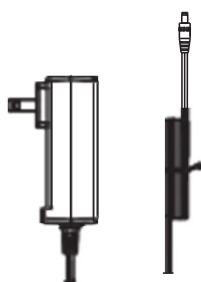
Soporte



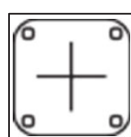
Tornillos



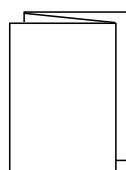
Piezas de impermeabilidad



Adaptador de corriente



Adhesivo

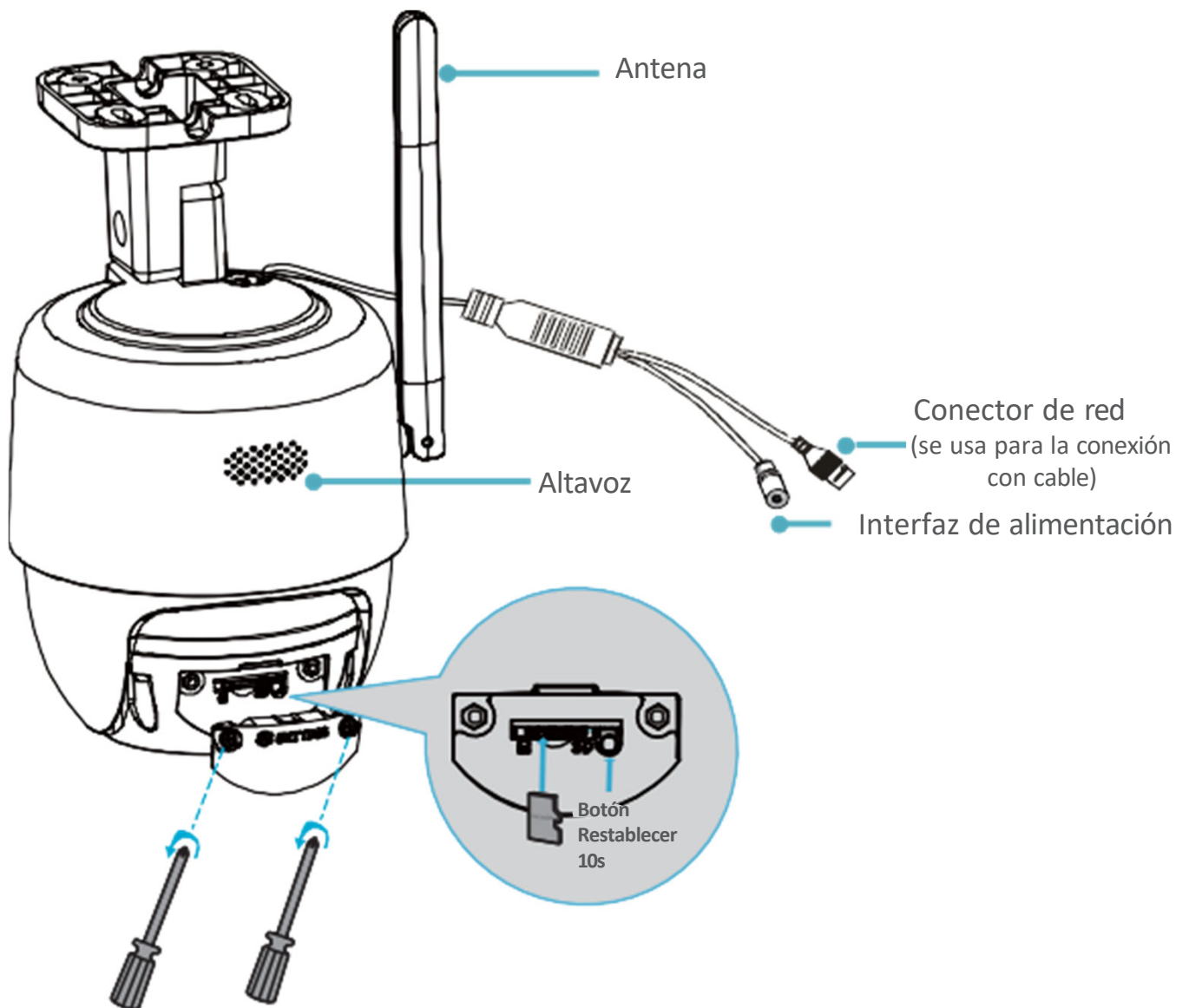


Guía rápida



Adhesivo de advertencia

Aspecto



Precaución

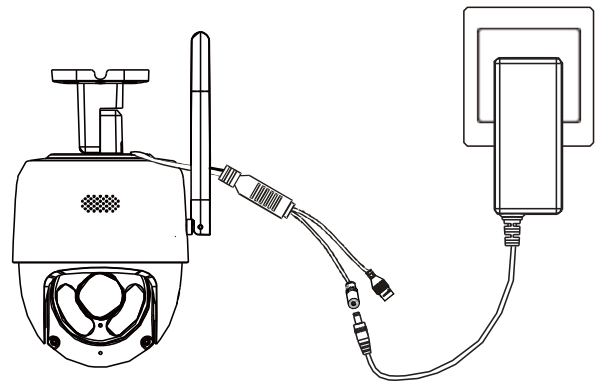
No inserte ni retire la tarjeta microSD mientras el dispositivo esté conectado a la alimentación; ya que podría dañar la cámara y la tarjeta SD

Añadir el dispositivo a uniarch

1. Asegúrese de que su rúter admita la red wifi de 2,4 GHz.



2. Conecte la cámara a la alimentación.



3. Descargue e instale uniarch.

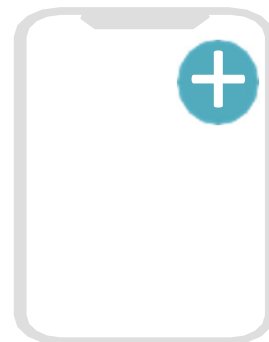
A: Escanee el código QR



B: Busque en las tiendas de aplicaciones

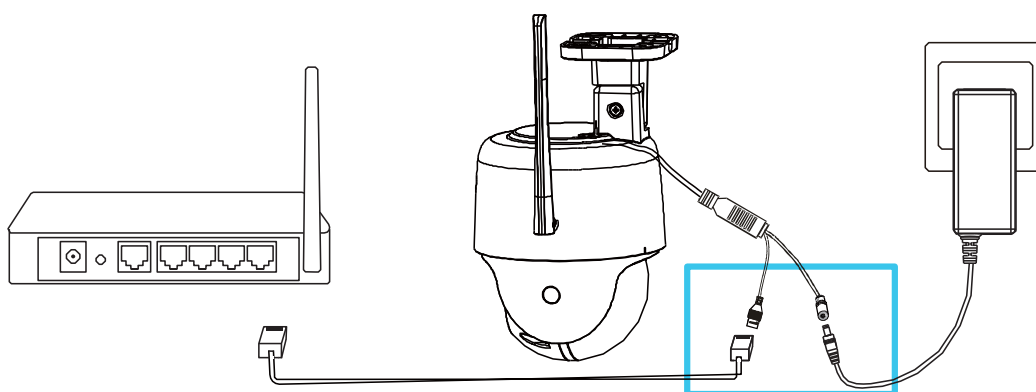


4. Añada la cámara a uniarch. Pulse **+** y siga las instrucciones que aparecen en la pantalla para continuar.



(Opcional) Acceso a la Web

1. Conecte la cámara a la alimentación y a un rúter.



2. Inicie sesión en la interfaz web.

Una captura de pantalla de la interfaz web de inicio de sesión. En la parte superior derecha hay un menú desplegable con el texto "English". Hay dos campos de entrada: "Username" con el texto "admin" y "Password" con caracteres ocultos por asteriscos. A la derecha del campo de contraseña hay un enlace "Forgot Password?". Debajo de los campos hay un checkbox con el texto "Live View" que está marcado. En la parte inferior hay dos botones: "Login" y "Reset".

IP predeterminada:

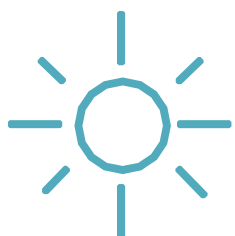
192.168.1.13

nombre de usuario: admin

Contraseña: 123456

Entorno de instalación

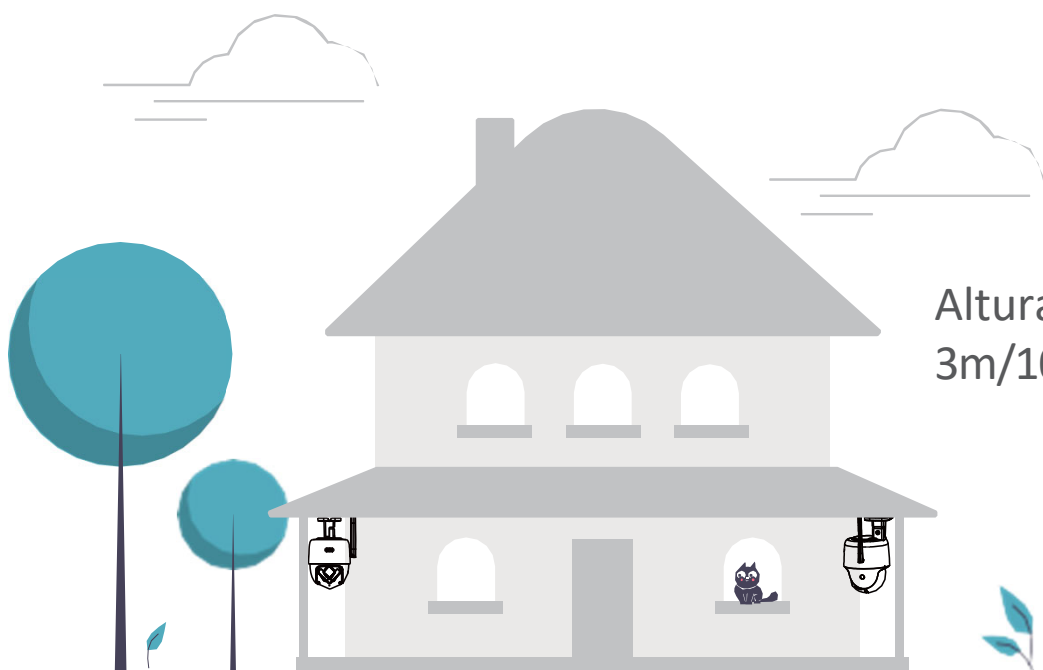
Evite la luz directa del sol



No obstruya la lente



Por ello, antes de instalar la cámara, asegúrese de que el vídeo en directo se reproduzca de forma fluida.



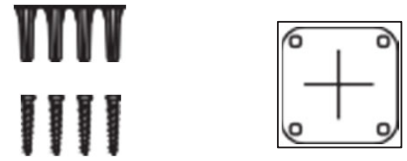
Altura de instalación:
3m/10ft-4m/13ft

Montar la cámara

1. Herramientas

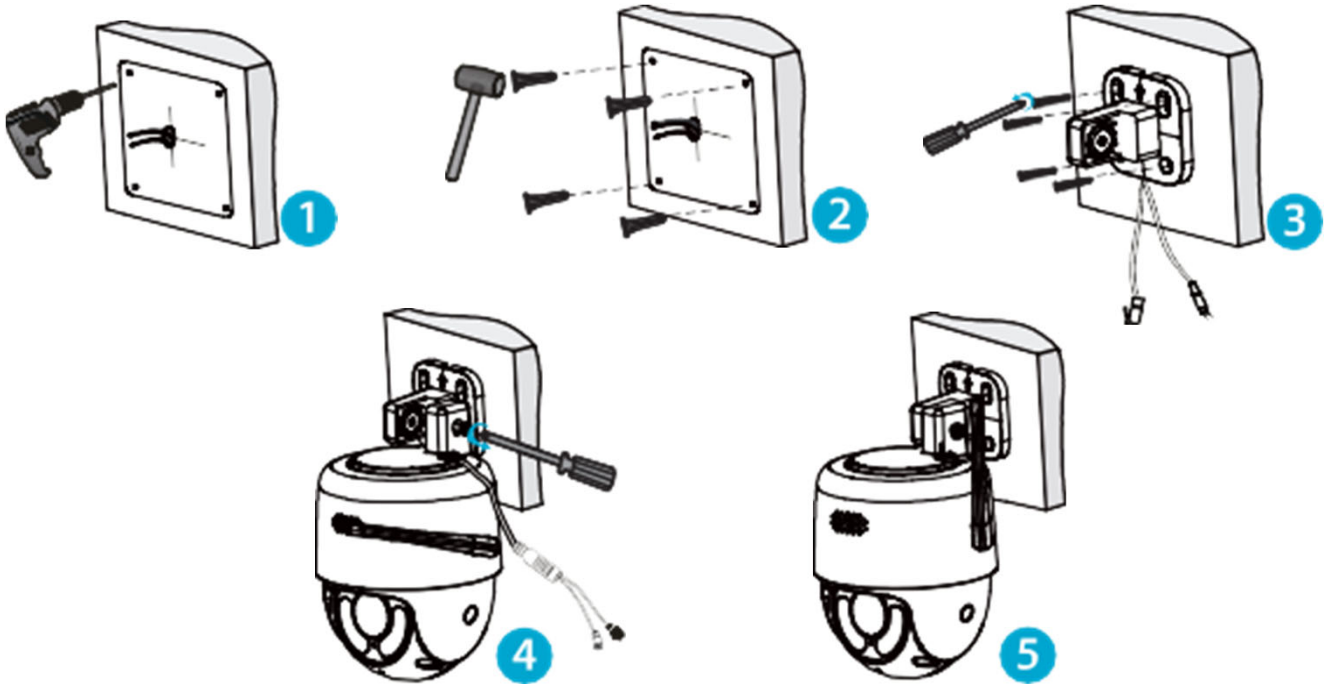


2. Accesorios



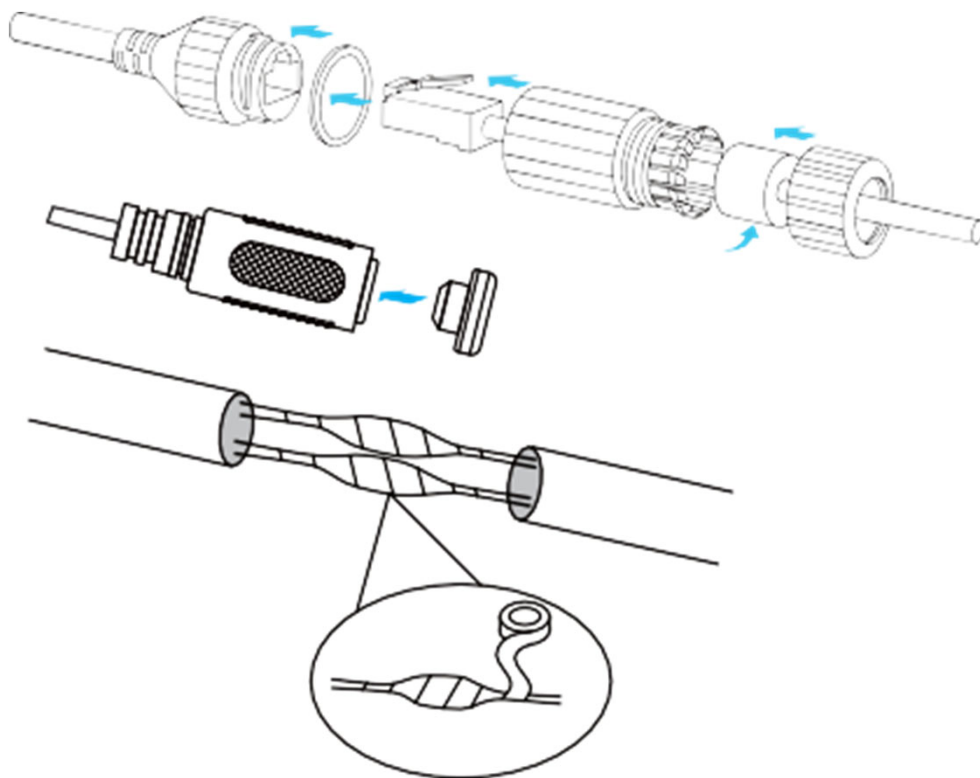
3. Monte la cámara.

Tome el techo o el montaje en pared como ejemplo.



Requisitos de impermeabilidad

Impermeabilice los cables como se muestra a continuación. El usuario será el único responsable en caso de que se produzcan daños en el dispositivo como consecuencia de una incorrecta implementación de las medidas de impermeabilidad.

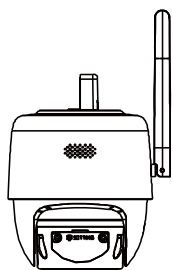


Precaución Use cinta aislante (no incluida) para aislar la conexión de los cables

Lieferumfang



Der Verpackungsinhalt kann je nach Gerätemodell und Version variieren.



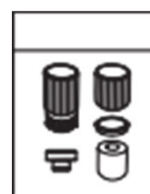
Kamera



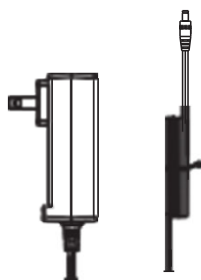
Kameramontage



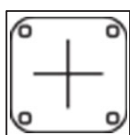
Schraubkomponenten



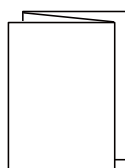
Wasserdichte Komponenten



Netzteil



Aufkleber

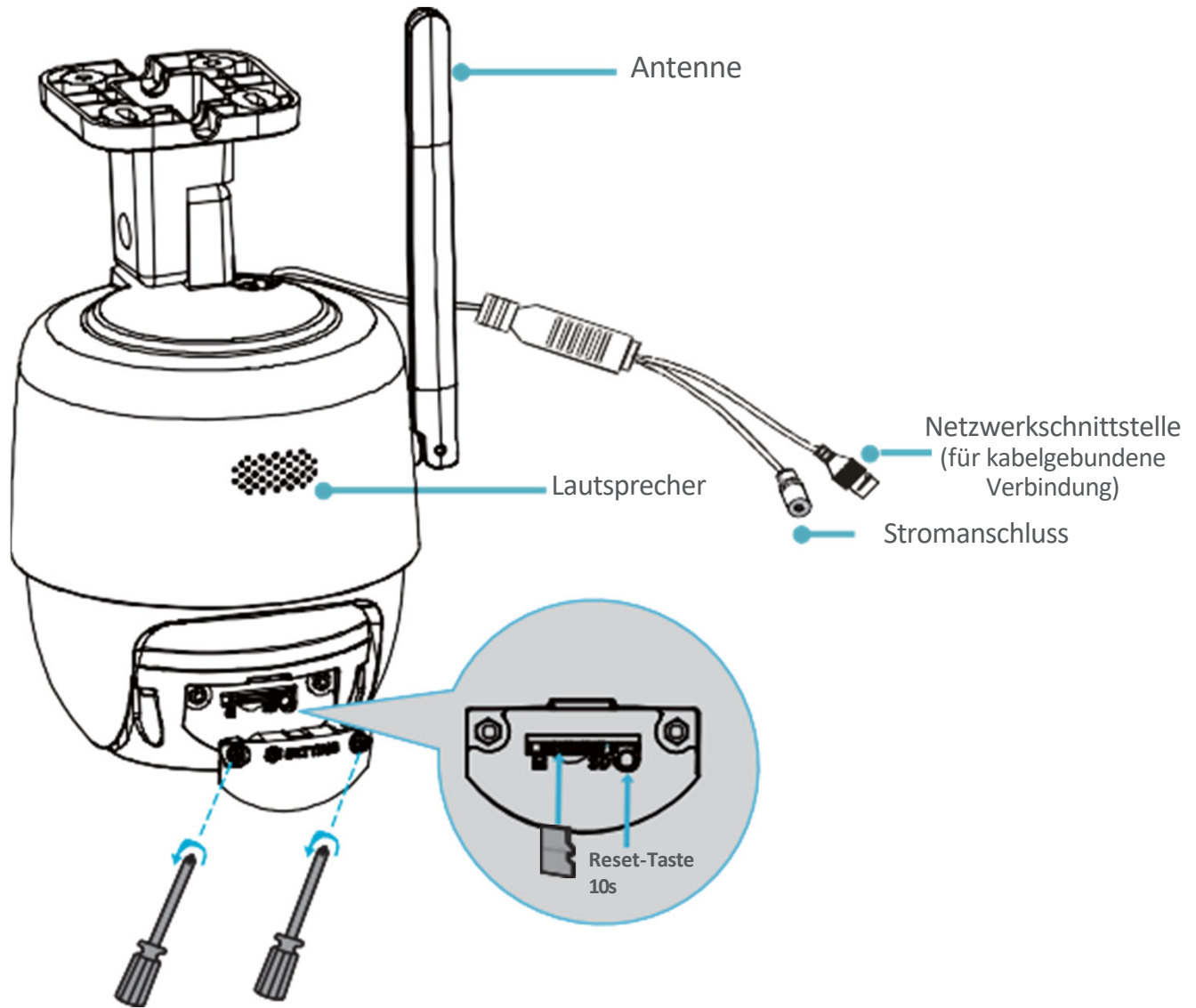


Kurzanleitung



Warnaufkleber

Erscheinungsbild

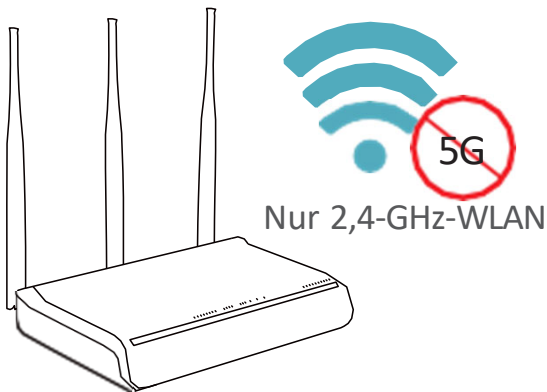


Vorsicht

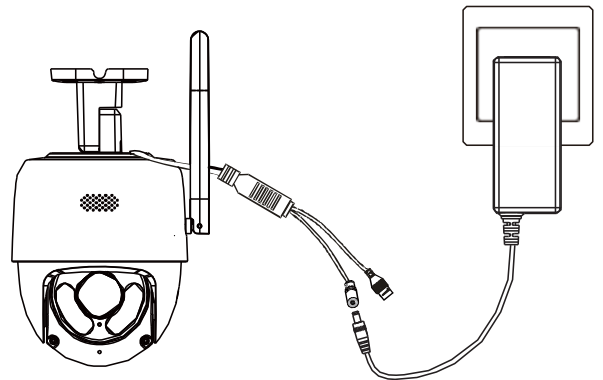
Die SD-Karte nicht einsetzen oder entfernen, wenn das Gerät an die Stromversorgung angeschlossen ist, da dies die Kamera und die SD-Karte beschädigen kann

Gerät zu Uniarch hinzufügen

1. Stellen Sie sicher, dass Ihr Router 2,4-GHz-WLAN unterstützt.



2. Schließen Sie die Kamera an die Stromversorgung an.



3. Laden Sie Uniarch herunter und installieren Sie die Software.

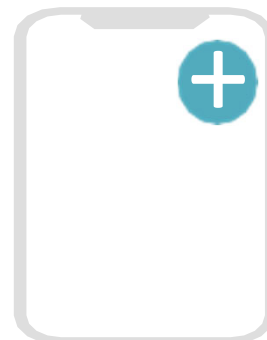
A: QR-Code scannen

B: In App-Stores suchen



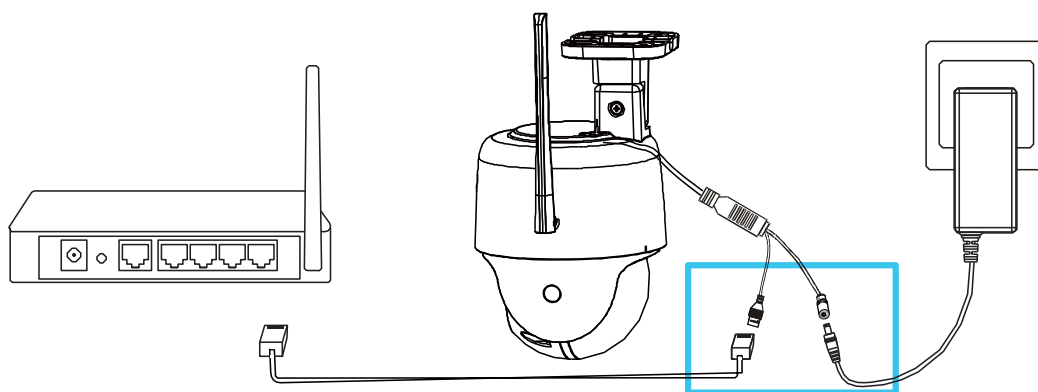
4. Fügen Sie die Kamera zu uniarch hinzu.

Tippen Sie auf **+** und folgen Sie den Anweisungen auf dem Bildschirm, um fortzufahren.

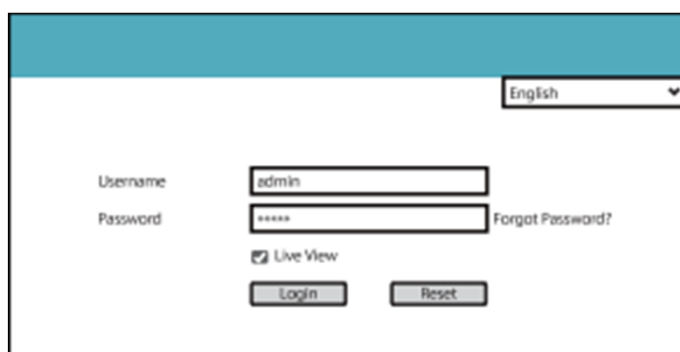


(Optional) Web-Anmeldung

1. Verbinden Sie die Kamera mit der Stromversorgung und einem Router.



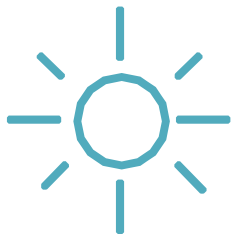
2. Melden Sie sich an der Weboberfläche an.

A screenshot of a web browser displaying the login page of a camera's web interface. The page has a teal header bar. In the top right corner, there is a language dropdown menu set to "English". The main content area contains a login form with the following elements: a "Username" label followed by a text input field containing "admin"; a "Password" label followed by a password input field containing "xxxx" and a "Forgot Password?" link; a checked checkbox labeled "Live View"; and two buttons at the bottom, "Login" and "Reset".

Standard-IP: 192.168.1.13
Benutzername: admin
Passwort: 123456

Installationsumgebung

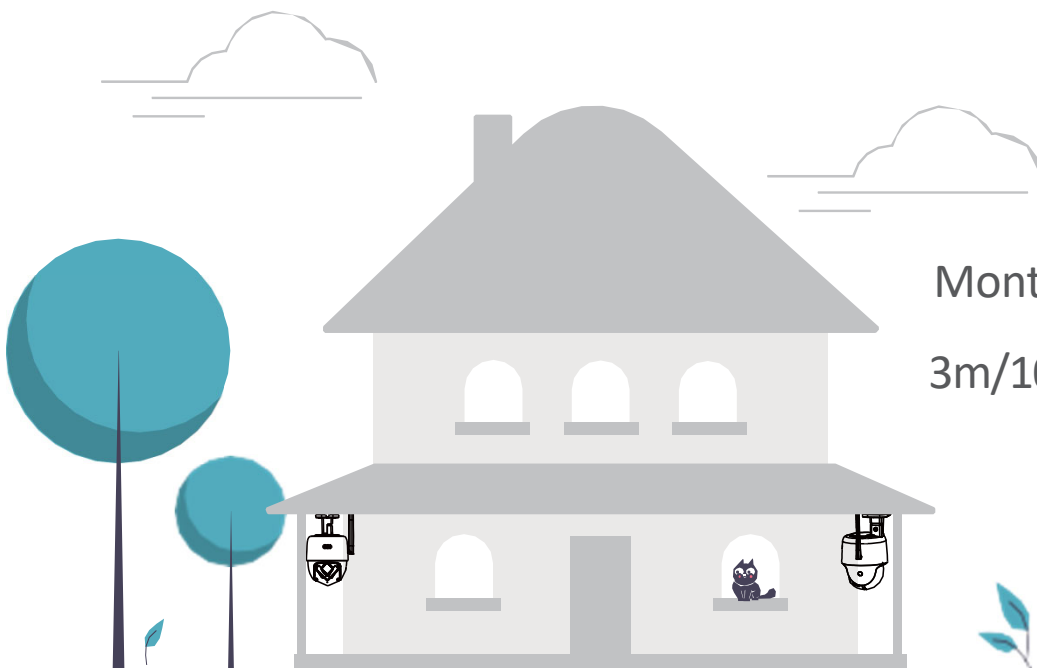
Vermeiden Sie direkte Sonneneinstrahlung



Vermeiden Sie Manipulationen des Objektivs



Vergewissern Sie sich daher vor der Montage der Kamera, dass Live-Video reibungslos wiedergegeben werden kann.



Montagehöhe:

3m/10ft-4m/13ft

Montieren der Kamera

1. Werkzeuge

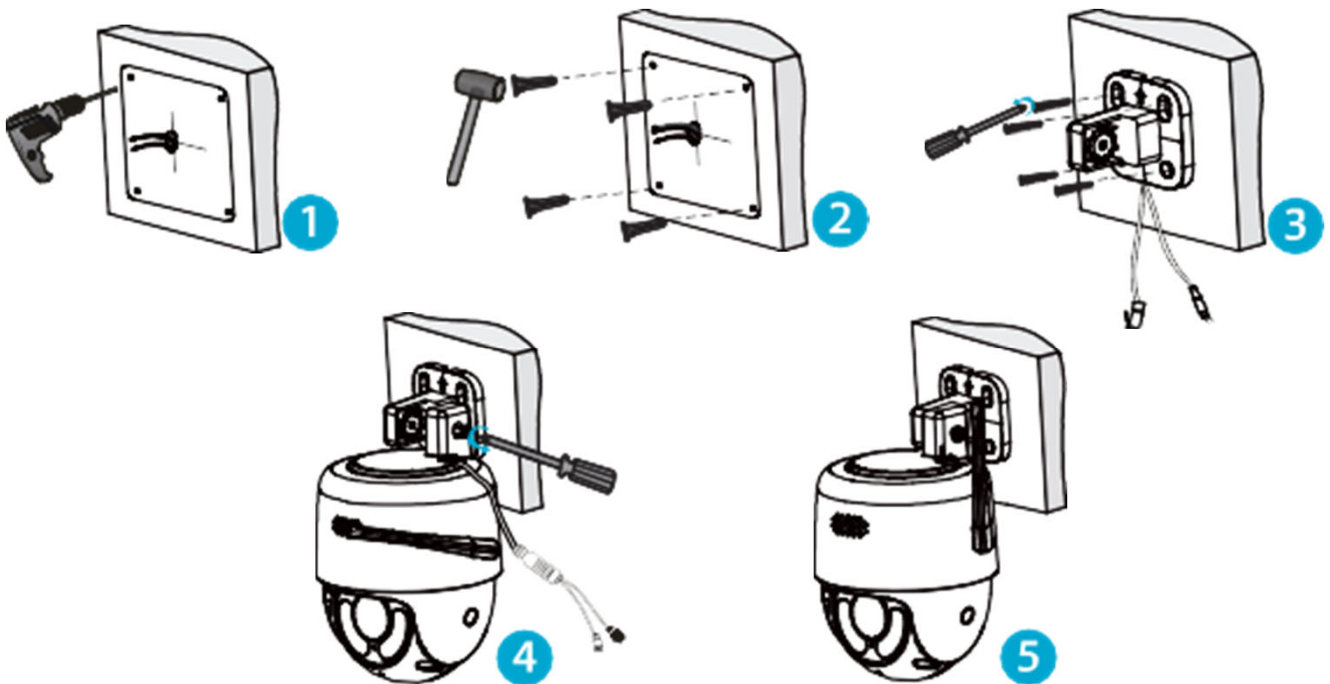


2. Zubehör



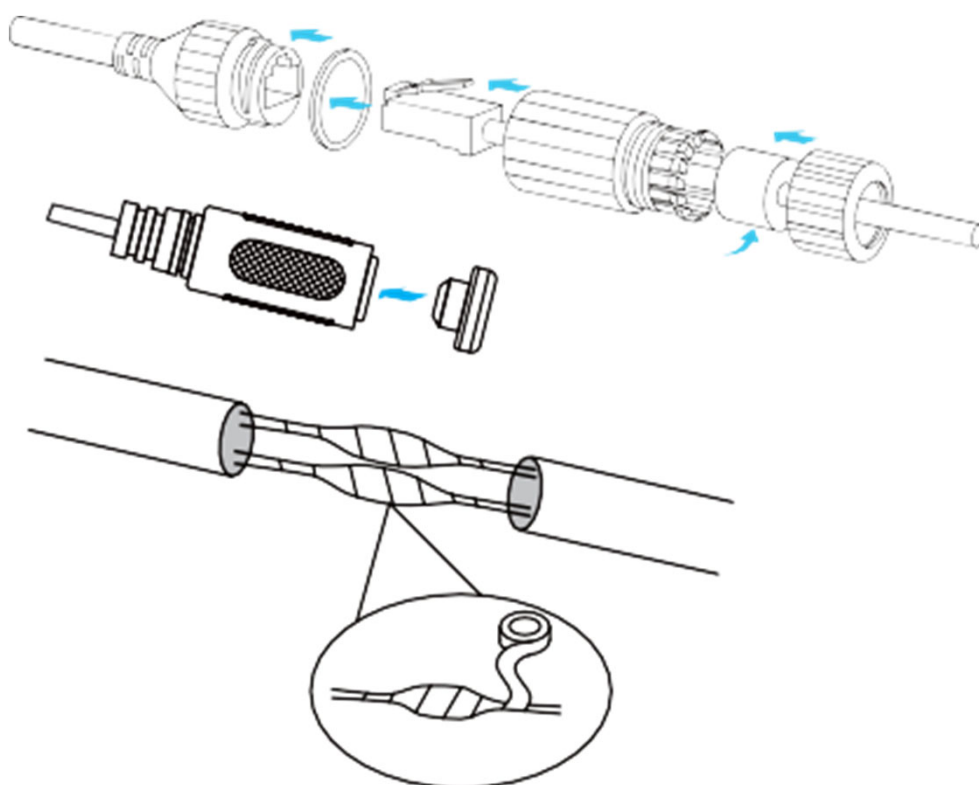
3. Montieren Sie die Kamera.

Hier nehmen wir als Beispiel die Decken-/Wandmontage.



Anforderungen an die Wasserdichtigkeit

Machen Sie die Kabel gemäß den folgenden Hinweisen wasserdicht. Für Geräteschäden, die durch Wasser aufgrund unsachgemäßer Wasserdichtigkeitsmaßnahmen entstehen, trägt der Anwender die alleinige Verantwortung.



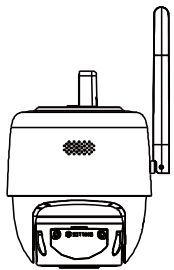
Vorsicht

Verwenden Sie Isolierband (nicht im Lieferumfang enthalten), um den Anschluss der einzelnen Kabel zu isolieren

Contenu de l'emballage



Le contenu de l'emballage peut varier selon le modèle et la version de l'appareil.



Caméra



Support



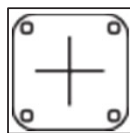
Éléments à visser



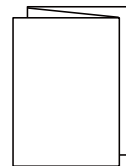
Composants d'étanchéification



Adaptateur d'alimentation



Autocollant

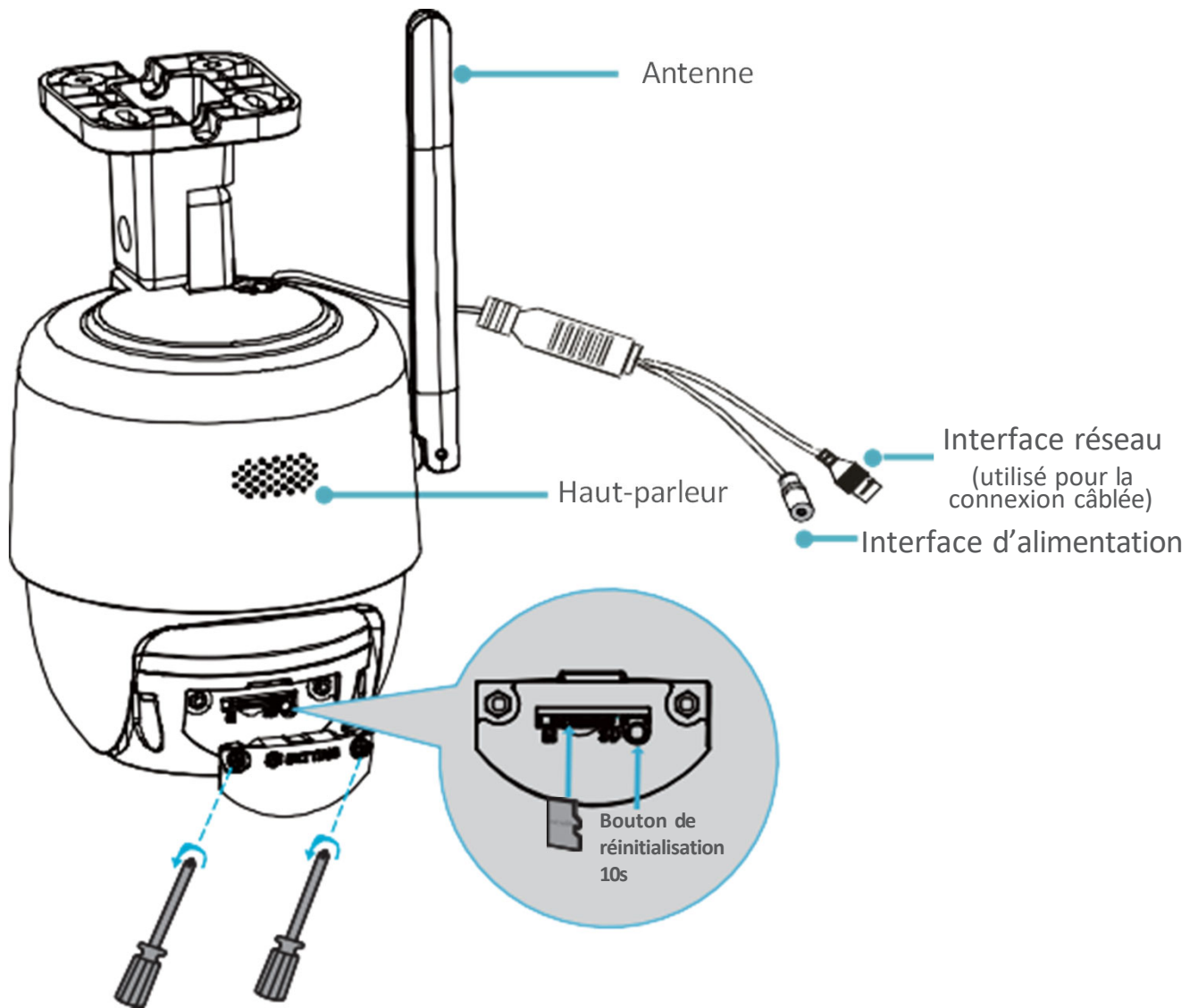


Guide rapide



Autocollant d'avertissement

Apparence



Avertissement

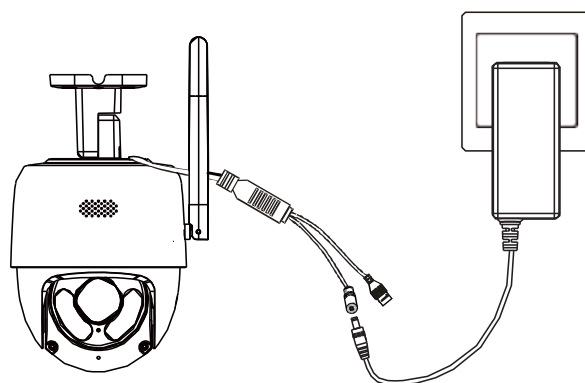
N'insérez ou ne retirez pas la carte Micro SD avec l'appareil mis sous tension, car cela pourrait endommager la caméra et la carte SD

Ajoutez un appareil à Uniarch

1. Assurez-vous que votre routeur prend en charge le réseau Wi-Fi 2.4 GHz.



2. Connecter la caméra à l'alimentation.



3. Téléchargez et installez Uniarch.

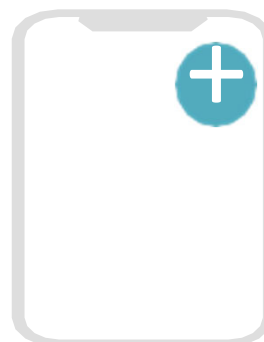
A : Scanner le code QR

B : Cherchez dans App Store



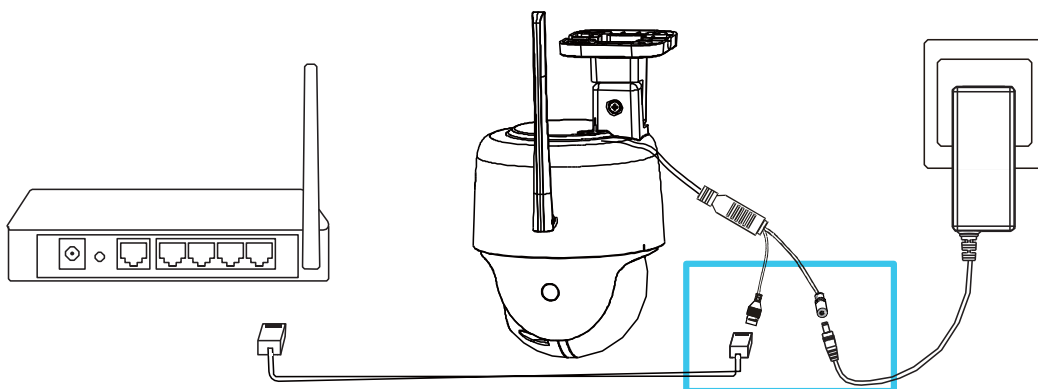
4. Ajoutez la caméra à Uniarch.

Appuyez sur **+**, puis suivez les instructions affichées à l'écran pour continuer.



(En option) Connexion Web

1. Connecter la caméra à l'alimentation et au routeur.



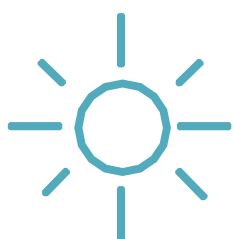
2. Connectez-vous à l'interface Web.

A screenshot of a web browser displaying the camera's login interface. At the top right, there is a language dropdown menu set to "English". Below it, there are two input fields: "Username" with the text "admin" and "Password" with five asterisks. To the right of the password field is a link that says "Forgot Password?". Below the input fields is a checkbox labeled "Live View" which is checked. At the bottom, there are two buttons: "Login" and "Reset".

Adresse IP par défaut :
192.168.1.13
Nom d'utilisateur : admin
Mot de passe : 123456

Environnement d'installation

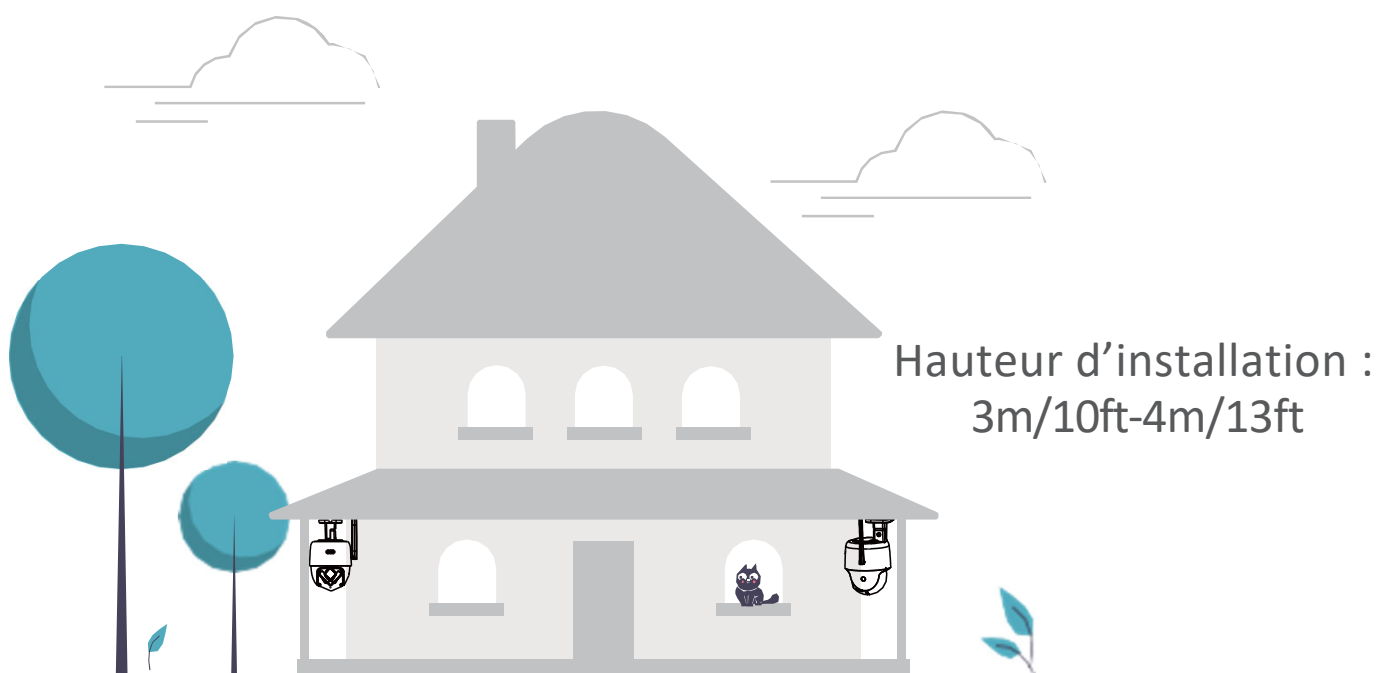
Éviter la lumière directe du soleil



Éviter de saboter l'objectif



Par conséquent, avant d'installer la caméra, assurez-vous que la lecture de la vidéo en direct est fluide.



Montage de votre caméra

1. Outils

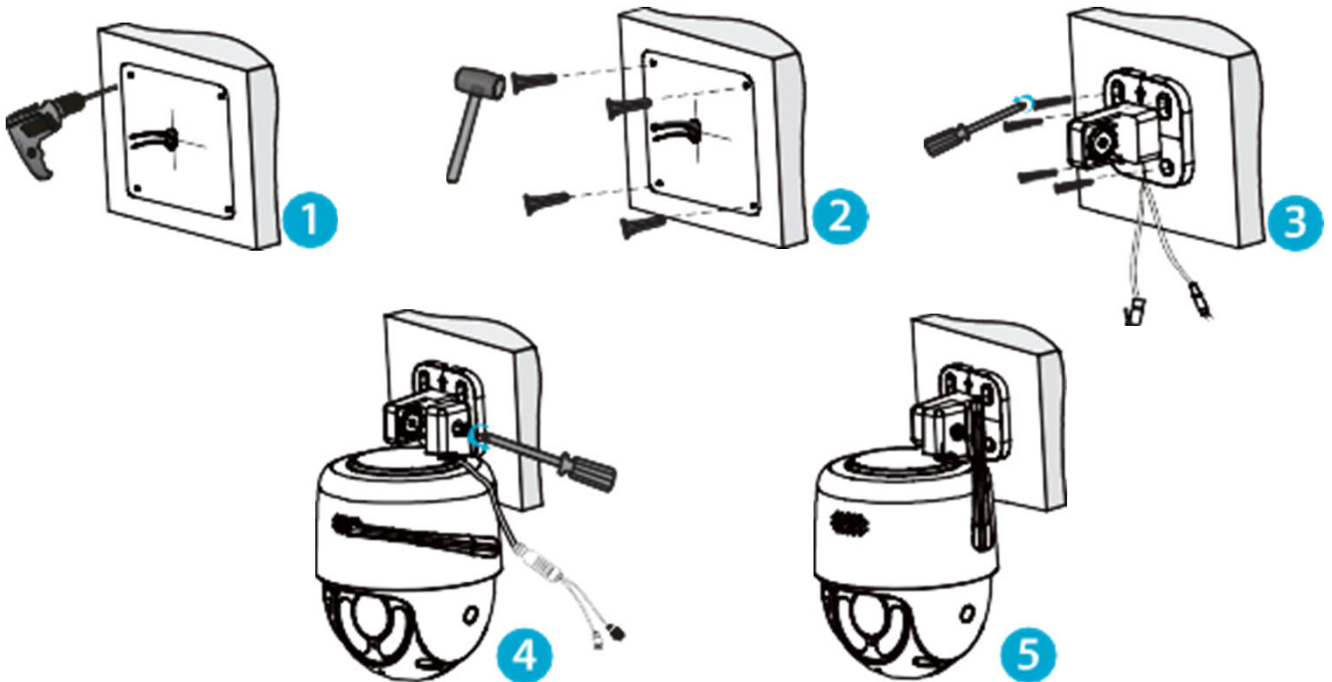


2. Accessoires



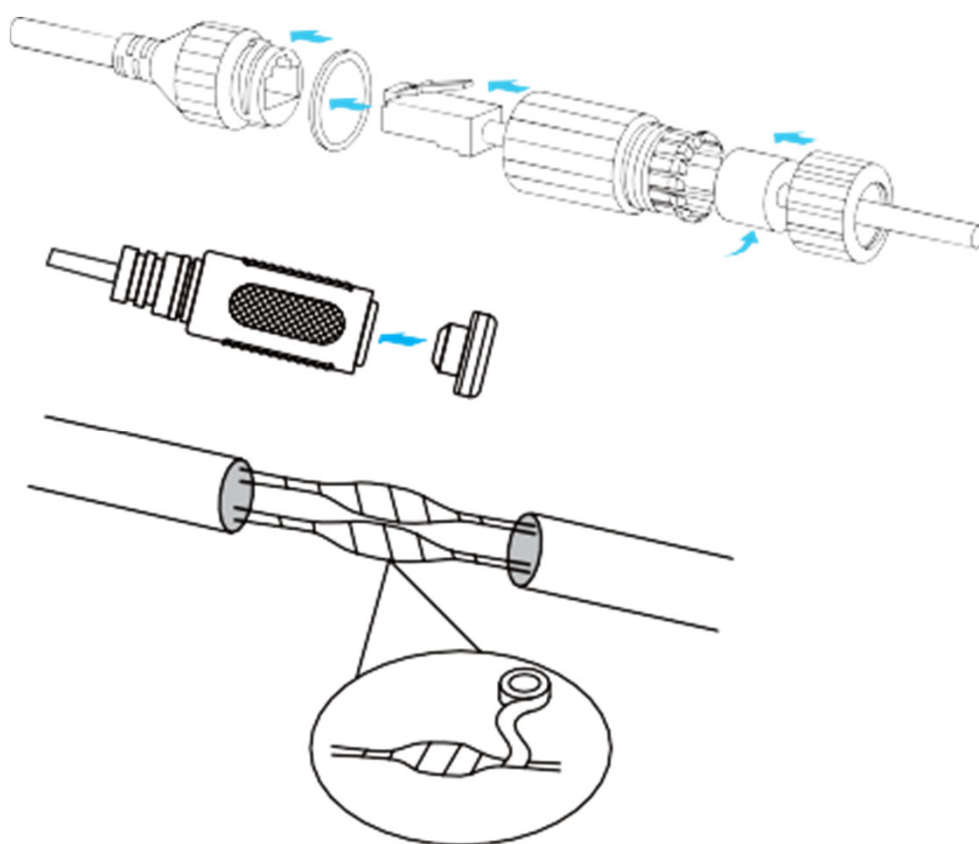
3. Montez la caméra.

Prenez le montage au plafond/mural comme exemple.



Exigences d'étanchéité

Veillez étanchéifier les câbles conformément aux instructions suivantes. L'utilisateur sera entièrement responsable des dommages causés à l'appareil par l'eau en raison de mesures d'étanchéité inadéquates.



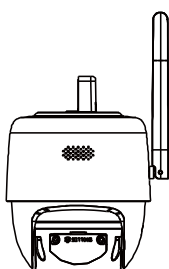
Avertissement

Utilisez du ruban isolant (non inclus dans l'emballage) pour isoler la pièce de raccordement de chaque câble

Contenuto della confezione



il contenuto della confezione può variare in base al modello e alla versione del dispositivo.



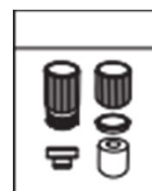
Telecamera



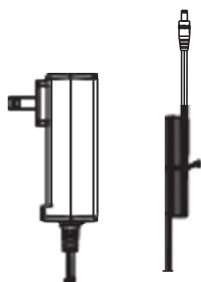
Staffa



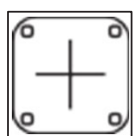
Elementi di
fissaggio



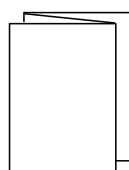
Componenti
impermeabili



Alimentatore



Adesivo

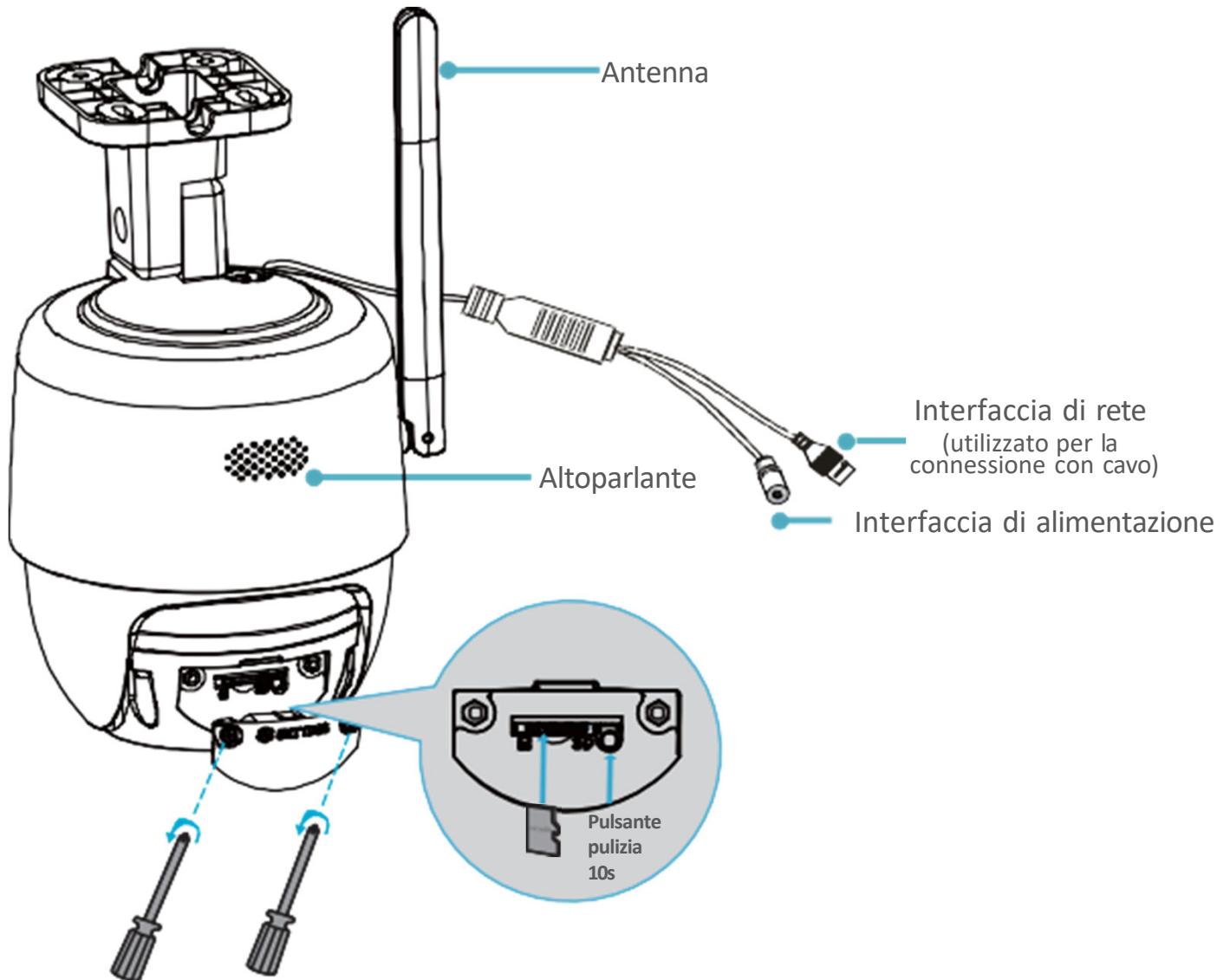


Guida
introduttiva



Adesivo di
avvertenza

Aspetto



Attenzione

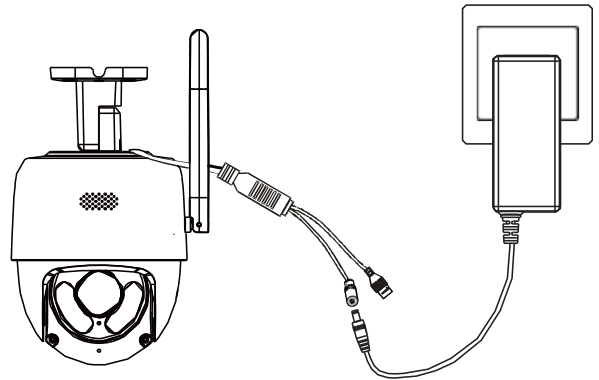
NON inserire o rimuovere la scheda Micro SD con l'alimentazione accesa; in quanto ciò potrebbe danneggiare la telecamera e la scheda SD

Aggiungi dispositivo a Uniarch

1. Assicurarsi che il router supporti la rete Wi-Fi da 2,4 Ghz.



2. Collegare la telecamera all'alimentazione.



3. Scaricare e installare Uniarch.

A: Scansionare il codice QR

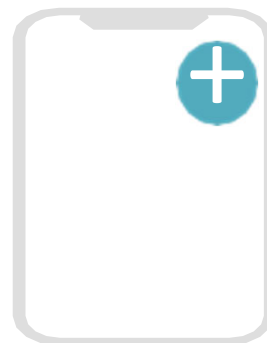


B: Cerca negli app store



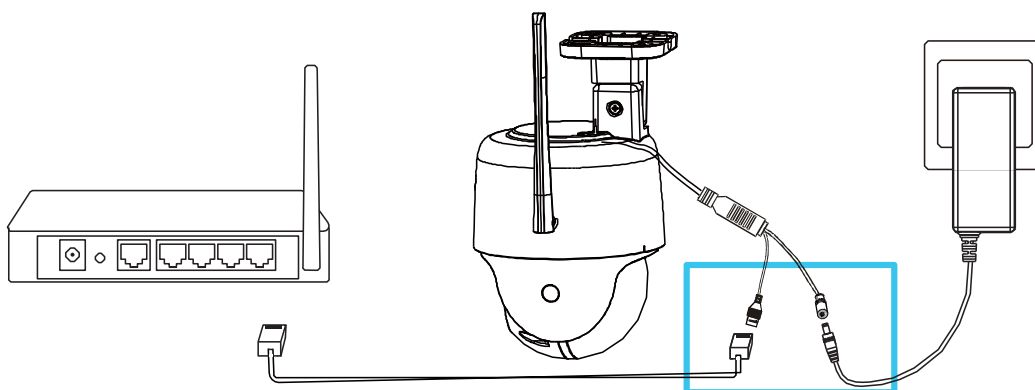
4. Aggiungere la telecamera a uniarch.

Toccare **+** e seguire le istruzioni sullo schermo per procedere.



(opzionale) Accesso al web

1. Collegare la telecamera all'alimentazione e al router.



2. Accedere all'interfaccia Web.

A screenshot of the camera's web interface login page. The page has a teal header bar. In the top right corner, there is a language dropdown menu set to "English". Below the header, there are two input fields: "Username" with the text "admin" and "Password" with six asterisks. To the right of the password field is a link that says "Forgot Password?". Below the input fields, there is a checkbox labeled "Live View" which is checked. At the bottom, there are two buttons: "Login" and "Reset".

IP predefinito:
192.168.1.13
Nome utente: admin
Password: 123456

Ambiente di installazione

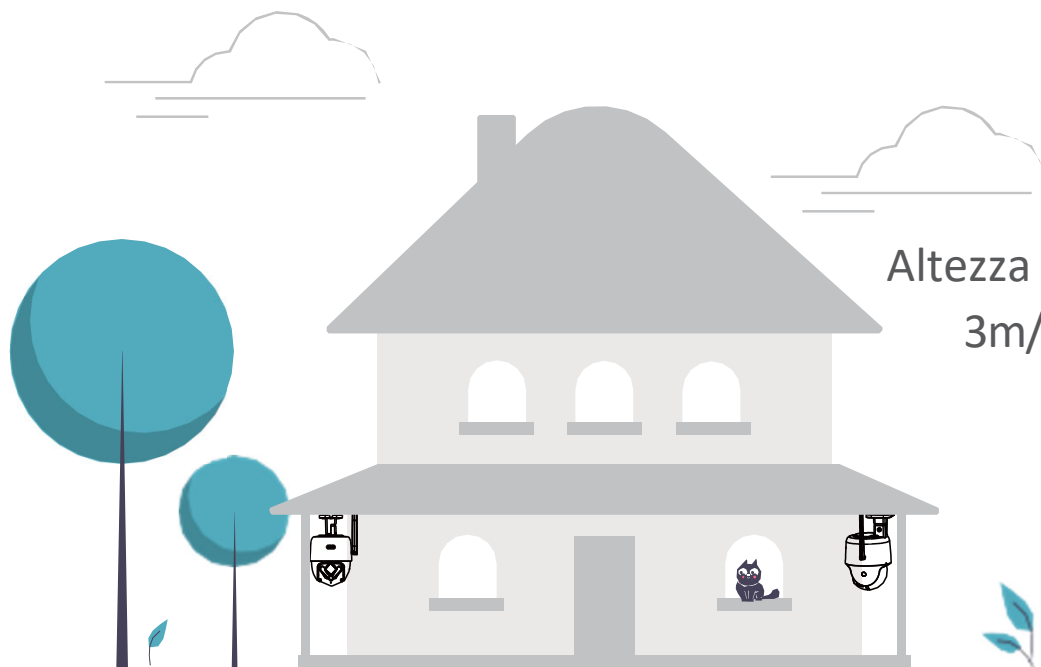
Evitare la luce solare diretta



Evitare la manomissione dell'obiettivo



Pertanto, prima di installare la telecamera, assicurarsi che il video dal vivo sia riprodotto in modo fluido.



Altezza di installazione:
3m/10ft-4m/13ft

33/IT

Montaggio della telecamera

1. Strumenti

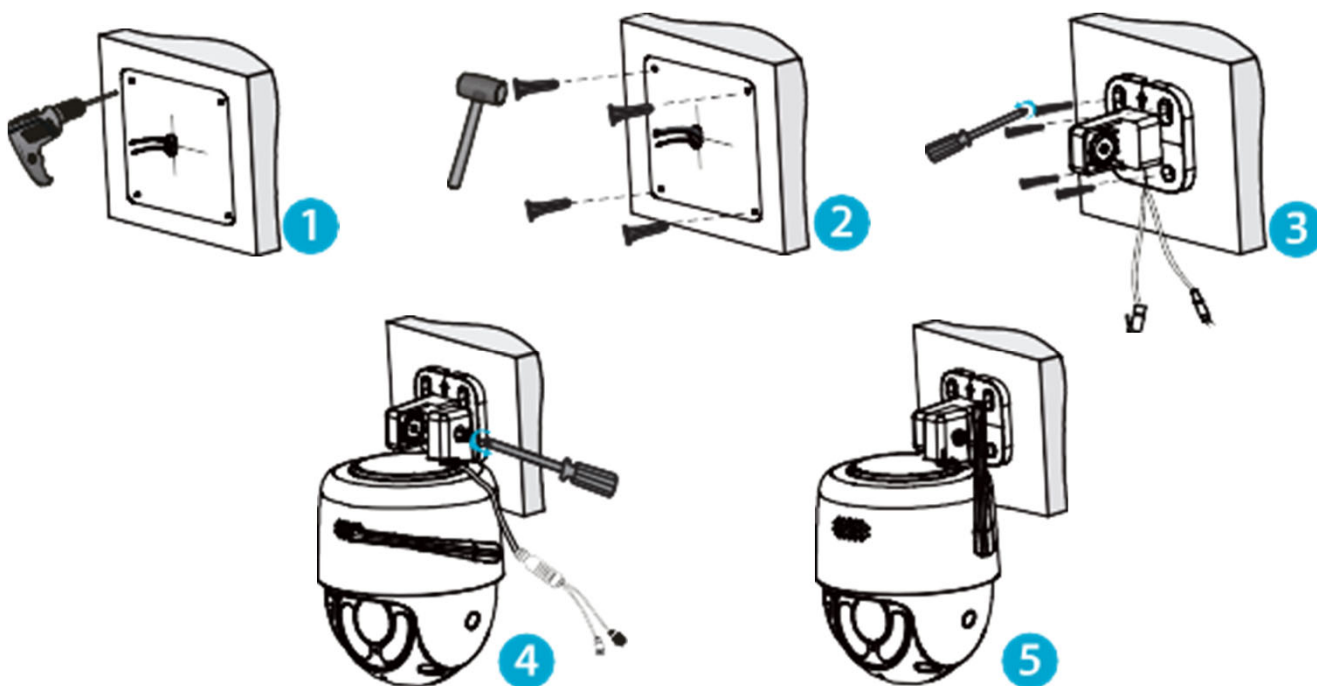


2. Accessori



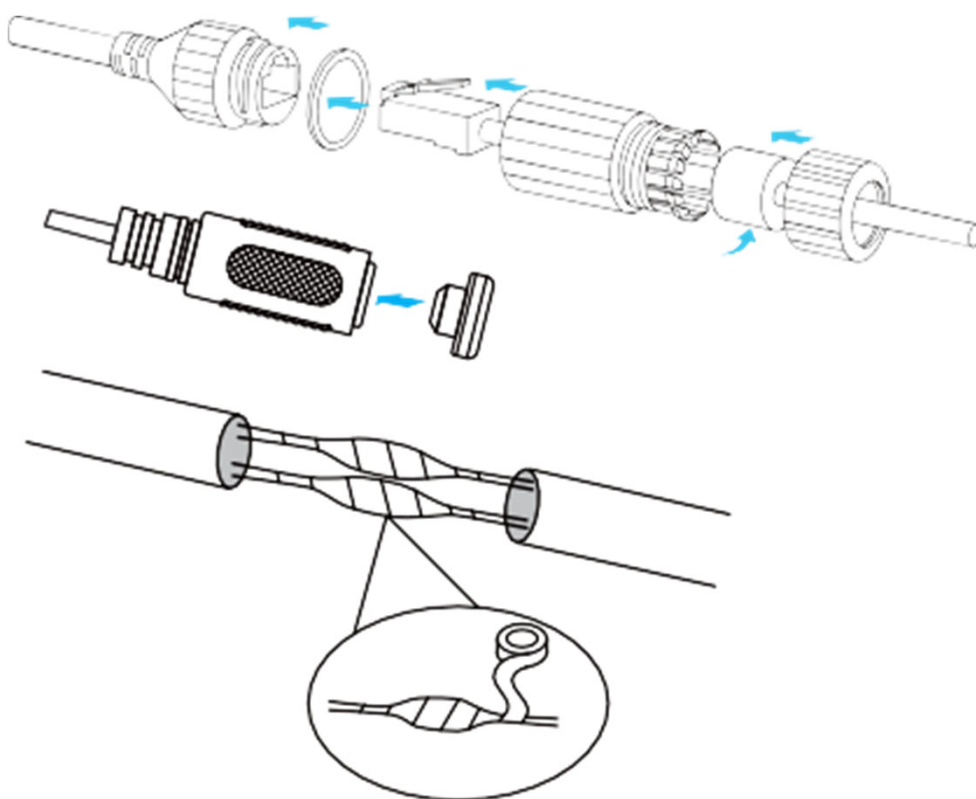
3. Montare la telecamera.

Prendere come esempio il montaggio a soffitto/parete.



Requisiti di impermeabilità

Impermeabilizzare i cavi in base alle seguenti istruzioni. L'utente si assume tutta la responsabilità per i danni del dispositivo provocati dall'acqua a causa di misure di impermeabilizzazione non adeguate.



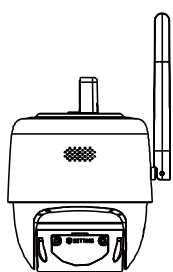
Attenzione

Utilizzare del nastro isolante (non fornito nella confezione) per isolare la parte di collegamento di ciascun cavo

Zawartość opakowania z produktem



Zawartość opakowania może się różnić w zależności od modelu i wersji urządzenia.



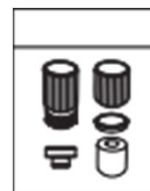
Kamera



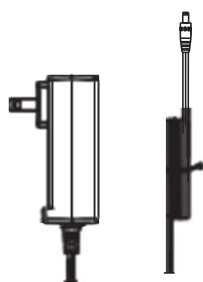
Uchwyt



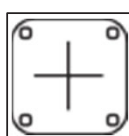
Śruby



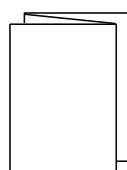
Zestaw
uszczelniający



Zasilacz



Naklejka

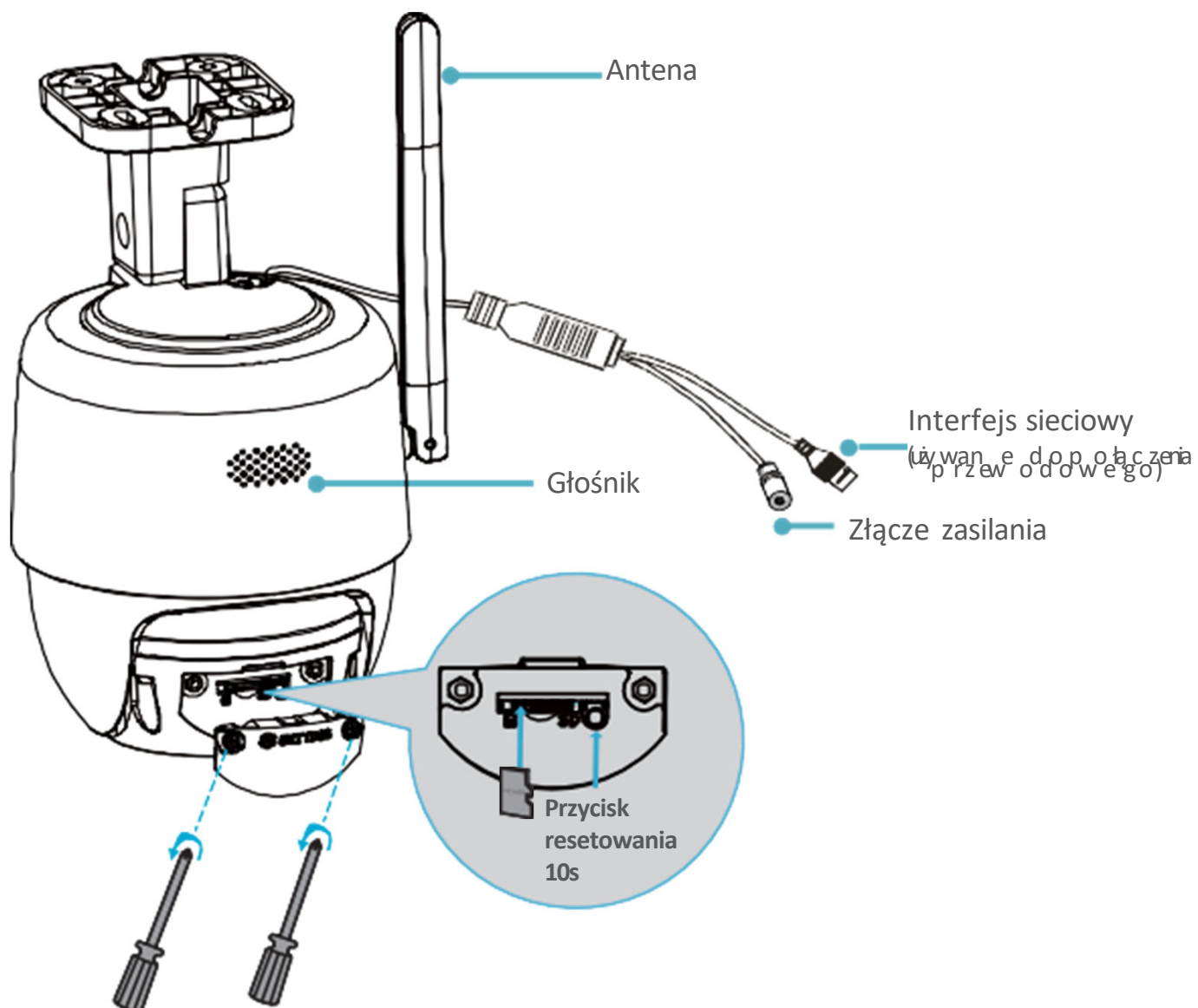


Skrócony
podręcznik
użytkownika



Naklejka
ostrzegawcza

Wygląd urządzenia



Przeostroga

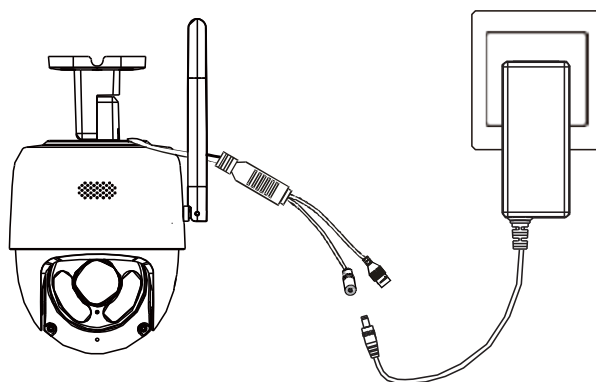
Nie wkładaj ani nie wyjmuj karty micro SD przy podłączonym zasilaniu; może to spowodować uszkodzenie kamery i karty SD.

Dodawanie urządzenia do systemu Uniarch

1. Upewnij się, że router obsługuje sieć Wi-Fi 2,4 GHz.



2. Podłącz zasilanie kamery.



3. Pobierz i zainstaluj system Uniarch.

A: Skanuj kod QR

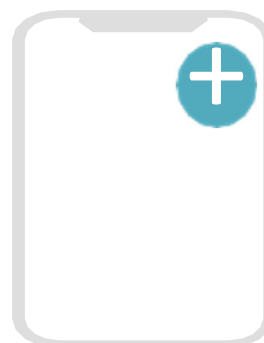


B: Wyszukaj w sklepach z aplikacjami



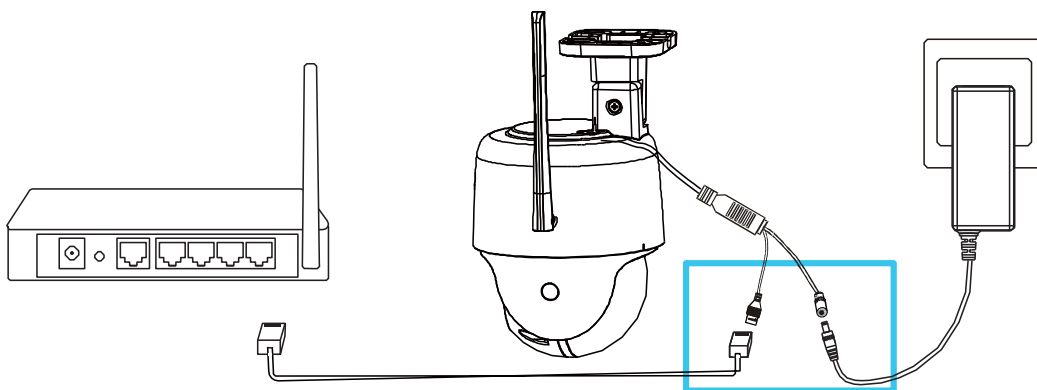
4. Dodaj kamerę do systemu Uniarch.

Kliknij **+** i postępuj zgodnie z instrukcjami wyświetlanymi na ekranie.



(Opcjonalnie) Logowanie do sieci

1. Podłącz kamerę do zasilania i routera.



2. Zaloguj się do interfejsu internetowego.

A screenshot of the camera's web interface login page. The page has a teal header bar. In the top right corner, there is a language dropdown menu set to "English". Below the header, there are two input fields: "Username" with the text "admin" and "Password" with five asterisks. To the right of the password field is a link that says "Forgot Password?". Below the input fields, there is a checkbox labeled "Live View" which is checked. At the bottom, there are two buttons: "Login" and "Reset".

Domyślny adres IP:
192.168.1.13
Nazwa użytkownika: admin
Hasło: 123456

Warunki otoczenia

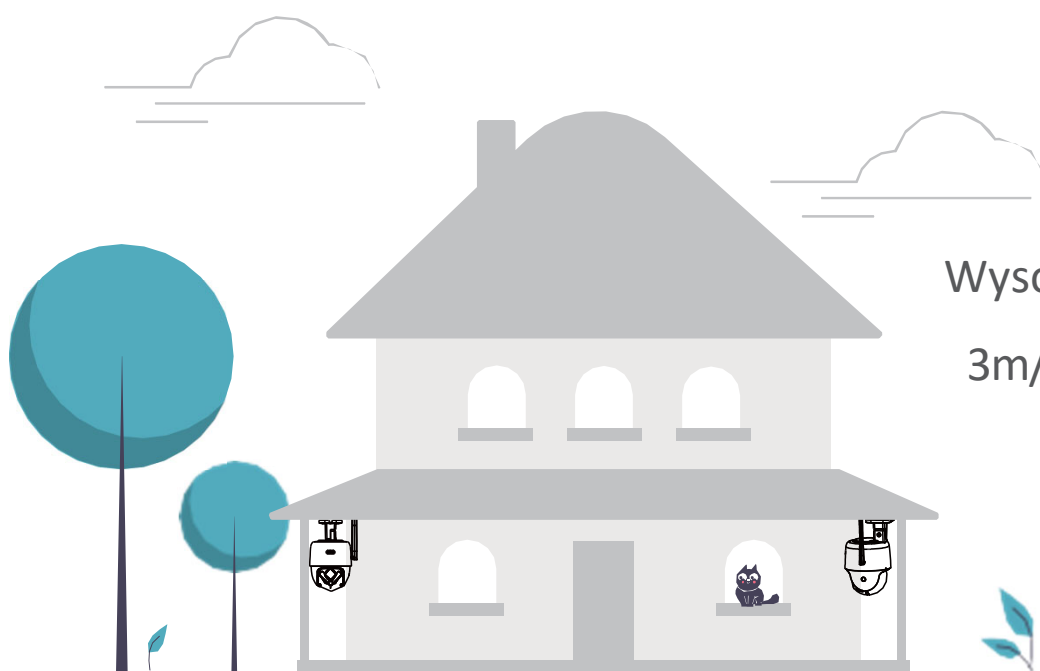
Unikaj bezpośredniego światła słonecznego



Unikaj zasłaniania obiektywu



Dlatego przed zainstalowaniem kamery należy upewnić się, że obraz wideo na żywo może być płynnie odtwarzany.



Wysokość instalacji:

3m/10ft-4m/13ft

40/PL

Mocowanie kamery

1. Narzędzia

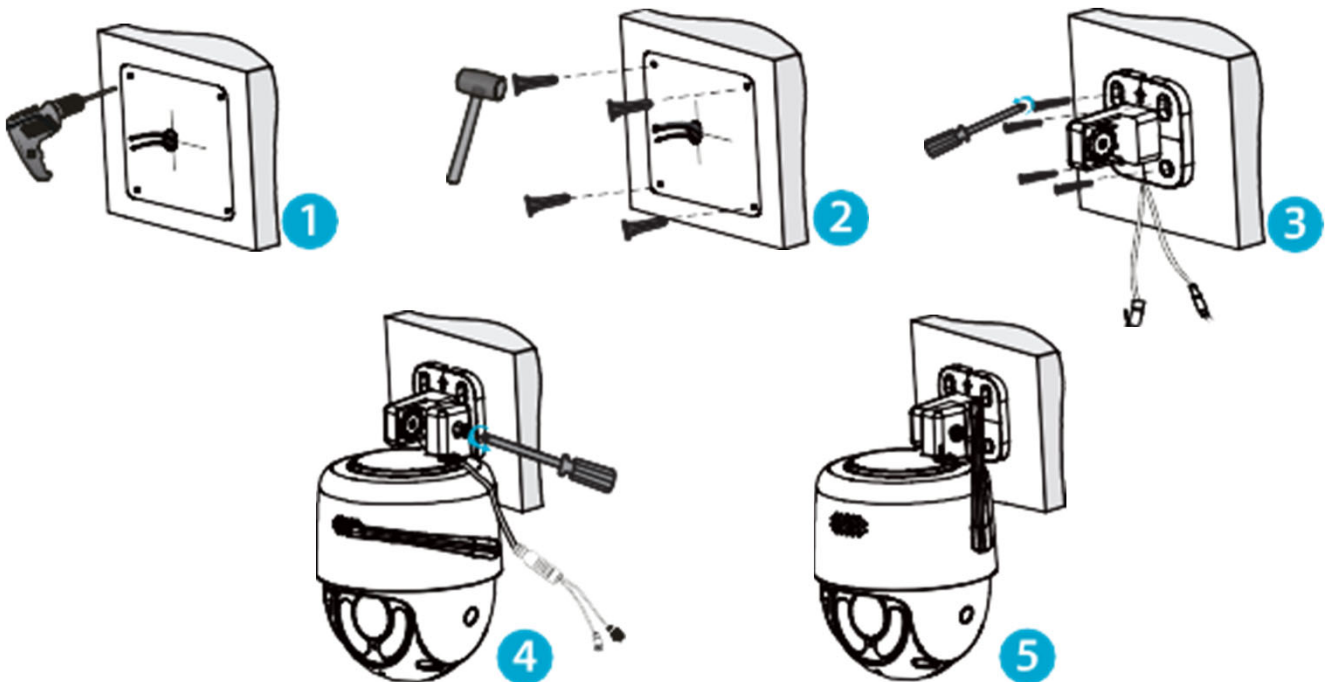


2. Akcesoria



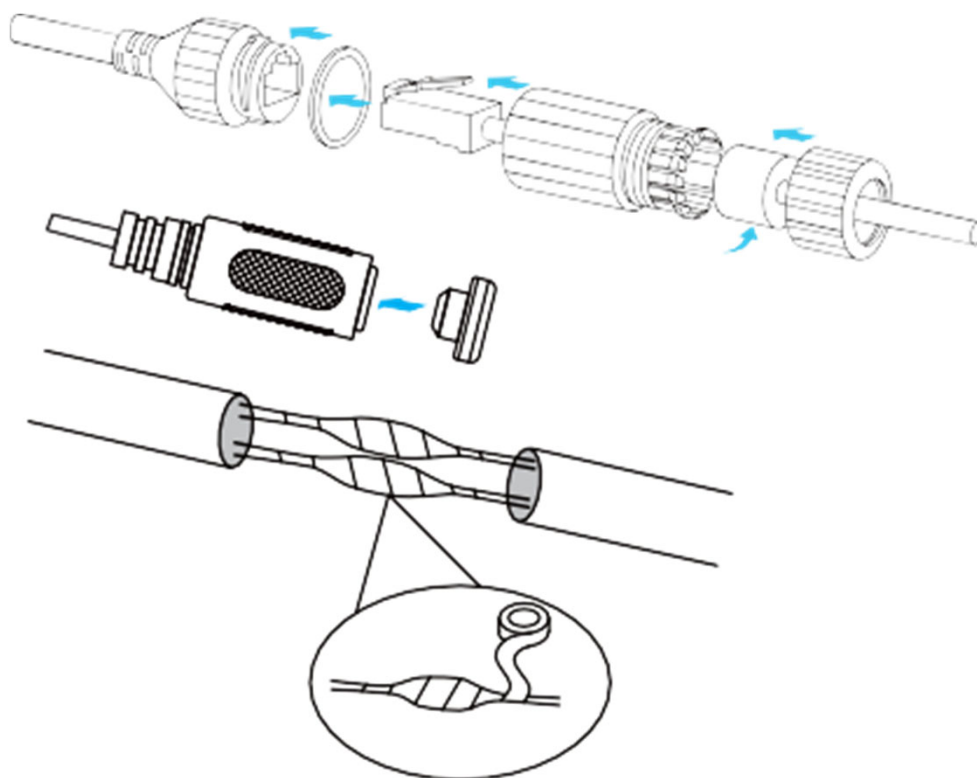
3. Zamontuj kamerę.

Weź za przykład montaż na suficie/ścianie.



Wymagania dotyczące wodoodporności

Należy zabezpieczyć kable przed wodą zgodnie z poniższymi instrukcjami. Użytkownik ponosi pełną odpowiedzialność za uszkodzenia urządzenia wynikające z niewłaściwego zabezpieczenia przed wodą.



Przeostroga

Zabezpiecz połączenia przewodów taśmą izolacyjną (nieuwzględnioną w pakiecie z produktem)

Disclaimer and Safety Warnings

Copyright Statement

No part of this manual may be copied, reproduced, translated or distributed in any form or by any means without prior consent in writing from our company (referred to as us hereafter).

The product described in this manual may contain proprietary software owned by our company and its possible licensors. Unless permitted, no one is allowed to copy, distribute, modify, abstract, decompile, disassemble, decrypt, reverse engineer, rent, transfer, or sublicense the software in any form or by any means.

Export Compliance Statement

Our company complies with applicable export control laws and regulations worldwide, including that of the People's Republic of China and the United States, and abides by relevant regulations relating to the export, re-export and transfer of hardware, software and technology. Regarding the product described in this manual, our company asks you to fully understand and strictly abide by the applicable export laws and regulations worldwide.

Privacy Protection Reminder

Our company complies with appropriate privacy protection laws and is committed to protecting user privacy. You may want to read our full privacy policy at our website and get to know the ways we process your personal information. Please be aware, using the product described in this manual may involve the collection of personal information such as face, fingerprint, license plate number, email, phone number, GPS. Please abide by your local laws and regulations while using the product.

About This Manual

- This manual is intended for multiple product models, and the photos, illustrations, descriptions, etc, in this manual may be different from the actual appearances, functions, features, etc, of the product.
- This manual is intended for multiple software versions, and the illustrations and descriptions in this manual may be different from the actual GUI and functions of the software.
- Despite our best efforts, technical or typographical errors may exist in this manual. Our company cannot be held responsible for any such errors and reserves the right to change the manual without prior notice.
- Users are fully responsible for the damages and losses that arise due to improper operation.
- Our company reserves the right to change any information in this manual without any prior notice or indication. Due to such reasons as product version upgrade or regulatory requirement of relevant regions, this manual will be periodically updated.

Disclaimer of Liability

- To the extent allowed by applicable law, in no event will our company be liable for any special, incidental, indirect, consequential damages, nor for any loss of profits, data, and documents.
- The product described in this manual is provided on an "as is" basis. Unless required by applicable law, this manual is only for informational purpose, and all statements, information, and recommendations in this manual are presented without warranty of any kind, expressed or implied, including, but not limited to, merchantability, satisfaction with quality, fitness for a particular purpose, and noninfringement.

-Users must assume total responsibility and all risks for connecting the product to the Internet, including, but not limited to, network attack, hacking, and virus. We strongly recommend that users take all necessary measures to enhance the protection of network, device, data and personal information. Our company disclaims any liability related thereto but will readily provide necessary security related support.

-To the extent not prohibited by applicable law, in no event will our company and its employees, licensors, subsidiary, affiliates be liable for results arising out of using or inability to use the product or service, including, not limited to, loss of profits and any other commercial damages or losses, loss of data, procurement of substitute goods or services; property damage, personal injury, business interruption, loss of business information, or any special, direct, indirect, incidental, consequential, pecuniary, coverage, exemplary, subsidiary losses, however caused and on any theory of liability, whether in contract, strict liability or tort (including negligence or otherwise) in any way out of the use of the product, even if our company has been advised of the possibility of such damages (other than as may be required by applicable law in cases involving personal injury, incidental or subsidiary damage).

-To the extent allowed by applicable law, in no event shall our total liability to you for all damages for the product described in this manual (other than as may be required by applicable law in cases involving personal injury) exceed the amount of money that you have paid for the product.

EU Authorised Representative

UNV Technology EUROPE B.V. Room 2945,3rd Floor,Randstad 21-05 G,1314 BD,Almere,Netherlands.

Network Security

Please take all necessary measures to enhance network security for your device.

The following are necessary measures for the network security of your device:

-Change default password and set strong password: You are strongly recommended to change the default password after your first login and set a strong password of at least nine characters including all three elements: digits, letters and special characters.

-Keep firmware up to date: It is recommended that your device is always upgraded to the latest version for the latest functions and better security. Visit our official website or contact your local dealer for the latest firmware.

The following are recommendations for enhancing network security of your device:

-Change password regularly: Change your device password on a regular basis and keep the password safe.

Make sure only the authorized user can log in to the device.

-Enable HTTPS/SSL: Use SSL certificate to encrypt HTTP communications and ensure data security.

-Enable IP address filtering: Allow access only from the specified IP addresses.

-Minimum port mapping: Configure your router or firewall to open a minimum set of ports to the WAN and keep only the necessary port mappings. Never set the device as the DMZ host or configure a full cone NAT.

-Disable the automatic login and save password features: If multiple users have access to your computer, it is recommended that you disable these features to prevent unauthorized access.

-Choose username and password discretely: Avoid using the username and password of your social media, bank, email account, etc, as the username and password of your device, in case your social media, bank and email account information is leaked.

- Restrict user permissions: If more than one user needs access to your system, make sure each user is granted only the necessary permissions.
- Disable UPnP: When UPnP is enabled, the router will automatically map internal ports, and the system will automatically forward port data, which results in the risks of data leakage. Therefore, it is recommended to disable UPnP if HTTP and TCP port mapping have been enabled manually on your router.
- SNMP: Disable SNMP if you do not use it. If you do use it, then SNMPv3 is recommended.
- Multicast: Multicast is intended to transmit video to multiple devices. If you do not use this function, it is recommended you disable multicast on your network.
- Check logs: Check your device logs regularly to detect unauthorized access or abnormal operations.
- Physical protection: Keep the device in a locked room or cabinet to prevent unauthorized physical access.
- Isolate video surveillance network: Isolating your video surveillance network with other service networks helps prevent unauthorized access to devices in your security system from other service networks.

Safety Warnings

The device must be installed, serviced and maintained by a trained professional with necessary safety knowledge and skills. Before you start using the device, please read through this guide carefully and make sure all applicable requirements are met to avoid danger and loss of property.

Storage, Transportation, and Use

- Store or use the device in a proper environment that meets environmental requirements, including and not limited to, temperature, humidity, dust, corrosive gases, electromagnetic radiation, etc.
- Make sure the device is securely installed or placed on a flat surface to prevent falling.
- Unless otherwise specified, do not stack devices.
- Ensure good ventilation in the operating environment. Do not cover the vents on the device. Allow adequate space for ventilation.
- Protect the device from liquid of any kind.
- Make sure the power supply provides a stable voltage that meets the power requirements of the device. Make sure the power supply's output power exceeds the total maximum power of all the connected devices.
- Verify that the device is properly installed before connecting it to power.
- Do not remove the seal from the device body without consulting our company first. Do not attempt to service the product yourself. Contact a trained professional for maintenance.
- Always disconnect the device from power before attempting to move the device.
- Take proper waterproof measures in accordance with requirements before using the device outdoors.

Power Requirements

- Install and use the device in strict accordance with your local electrical safety regulations.
- Use a UL certified power supply that meets LPS requirements if an adapter is used.
- Use the recommended cordset (power cord) in accordance with the specified ratings.
- Only use the power adapter supplied with your device.
- Use a mains socket outlet with a protective earthing (grounding) connection.
- Ground your device properly if the device is intended to be grounded.

Battery Use Caution

- When battery is used, avoid:
 - Extremely high or low temperature and air pressure during use, storage and transportation;
 - Battery replacement.
- Use the battery properly. Improper use of the battery such as the following may cause risks of fire, explosion or leakage of flammable liquid or gas.
 - Replace battery with an incorrect type;
 - Dispose of a battery into fire or a hot oven, or mechanically crushing or cutting of a battery;
- Dispose of the used battery according to your local regulations or the battery manufacturer's instructions.

Avertissement de l'utilisation de la batterie

- Lorsque utiliser la batterie, évitez:
 - Température et pression d'air extrêmement élevées ou basses pendant l'utilisation, le stockage et le transport.
 - Remplacement de la batterie.
- Utilisez la batterie correctement. Mauvaise utilisation de la batterie comme celles mentionnées ici, peut entraîner des risques d'incendie, d'explosion ou de fuite liquide de gaz inflammables.
- Remplacer la batterie par un type incorrect;
- Disposer d'une batterie dans le feu ou un four chaud, écraser mécaniquement ou couper la batterie;
- Disposer la batterie utilisée conformément à vos règlements locaux ou aux instructions du fabricant de la batterie.

Regulatory Compliance

FCC Statements

This device complies with Part 15 of the FCC Rules. Operation is subject to the following two conditions: (1) this device may not cause harmful interference, and (2) this device must accept any interference received, including interference that may cause undesired operation.

Caution: The user is cautioned that changes or modifications not expressly approved by the party responsible for compliance could void the user's authority to operate the equipment.

NOTE: This equipment has been tested and found to comply with the limits for a Class B digital device, pursuant to part 15 of the FCC Rules. These limits are designed to provide reasonable protection against harmful interference in a residential installation. This equipment generates, uses and can radiate radio frequency energy and, if not installed and used in accordance with the instructions, may cause harmful interference to radio communications. However, there is no guarantee that interference will not occur in a particular installation. If this equipment does cause harmful interference to radio or television reception, which can be determined by turning the equipment off and on, the user is encouraged to try to correct the interference by one or more of the following measures:


- Reorient or relocate the receiving antenna.
- Increase the separation between the equipment and receiver.

- Connect the equipment into an outlet on a circuit different from that to which the receiver is connected.
- Consult the dealer or an experienced radio/TV technician for help.


RF Radiation Exposure Statement:

This equipment complies with FCC radiation exposure limits set forth for an uncontrolled environment. This equipment should be installed and operated with a minimum distance of 20cm between the radiator and any part of your body.


LVD/EMC/RE Directive

 This product complies with the European Low Voltage Directive 2014/35/EU , EMC Directive 2014/30/EU and RE Directive 2014/53/EU.

WEEE Directive–2012/19/EU

 The product this manual refers to is covered by the Waste Electrical & Electronic Equipment (WEEE) Directive and must be disposed of in a responsible manner.

Battery Directive-2013/56/EU

 Battery in the product complies with the European Battery Directive 2013/56/EU. For proper recycling, return the battery to your supplier or to a designated collection point.

IC Statement

This device complies with Innovation, Science and Economic Development Canada licence-exempt RSS standard(s). Operation is subject to the following two conditions: (1) this device may not cause interference, and (2) this device must accept any interference, including interference that may cause undesired operation of the device.

Le présent appareil est conforme aux CNR d'Innovation, Sciences et Développement économique Canada applicables aux appareils radio exempts de licence. L'exploitation est autorisée aux deux conditions suivantes : (1) l'appareil ne doit pas produire de brouillage, et (2) l'utilisateur de l'appareil doit accepter tout brouillage radioélectrique subi, même si le brouillage est susceptible d'en compromettre le fonctionnement. This equipment complies with IC RSS-102 radiation exposure limits set forth for an uncontrolled environment. This equipment should be installed and operated with minimum distance 20cm between the radiator & your body.

Cet équipement est conforme aux limites d'exposition aux rayonnements CNR-102 établies pour un environnement non contrôlé.

Cet équipement doit être installé et utilisé avec une distance minimale de 20 cm entre le radiateur et votre corps.

Technical Support

Email : support@uniarch.cn

Skype : [support@uniarch.cn](https://www.skype.com/people/support@uniarch.cn)