

Date 2022-07-05

To: SGS North America Inc.
 620 Old Peachtree Road
 SUITE 100
 Suwanee, Georgia
 United States

Subject: **FCC Class II Permission Change Request for FCC ID: 2AL8S-0235C5LD**

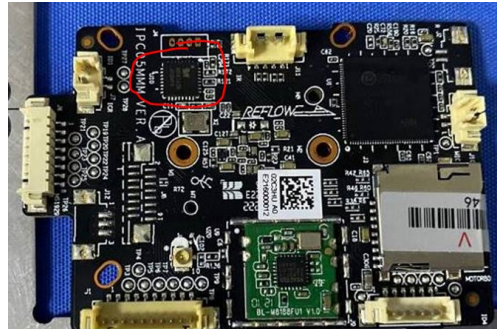
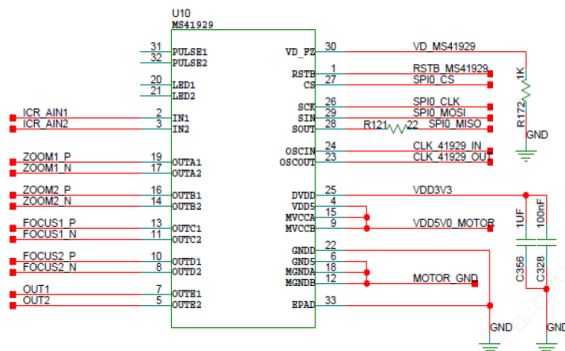
Dear Sir/Madam,

This is to request a Class II Permission Change Request for FCC ID: 2AL8S-0235C5LD, originally granted on 2021/08/19.

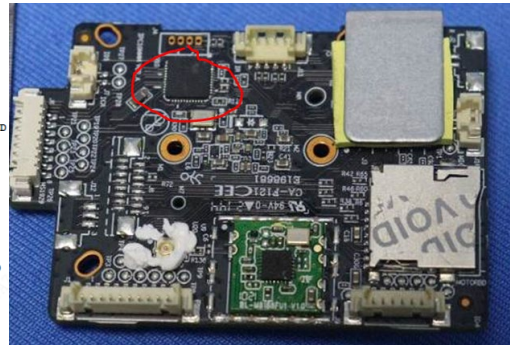
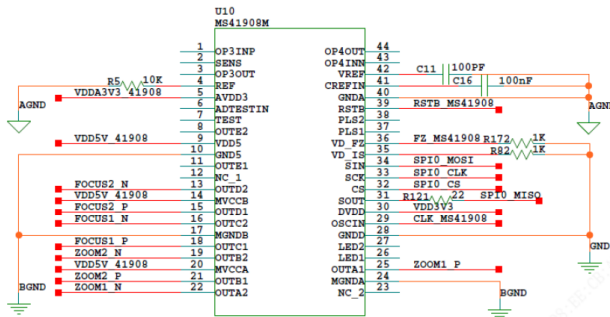
The Major change filed under this application are:

1. Changed the lens drive chip(U10) from MS41929 to MS41908.

Before:

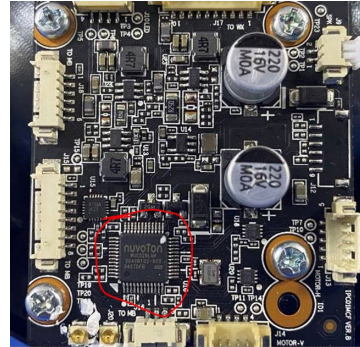
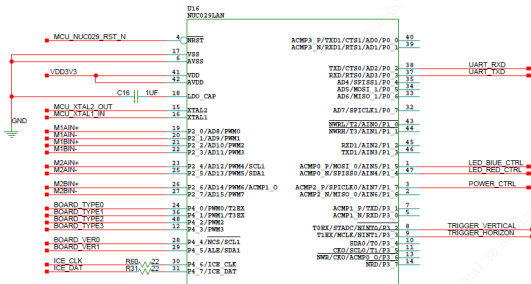


After:

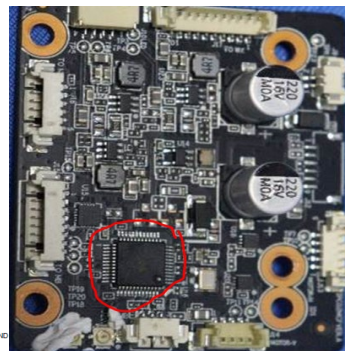
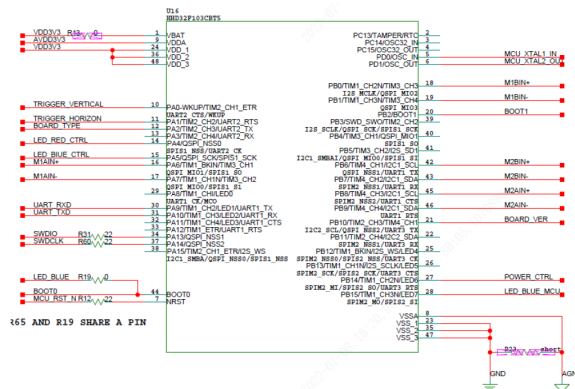


2. Changed the single-chip microcomputer chip(U16) from NUC029LAN to HDD32F103CBT5.

Before:



After:



3. Changed the warning light panel from double-sided panel to single panel.

Considering the differences, Conducted Peak Output Power, Radiated Spurious Emissions Below 1GHz and Radiated Spurious Emissions Above 1GHz were fully retested, other tests data please refer to original report KSEM210700110201.

If you have any questions regarding this application, please free to contact me.

Yours Sincerely,

Xu Feng

Signature:

Contact name: Feng Xu

Company Name: Certification Engineer