

# User Manual

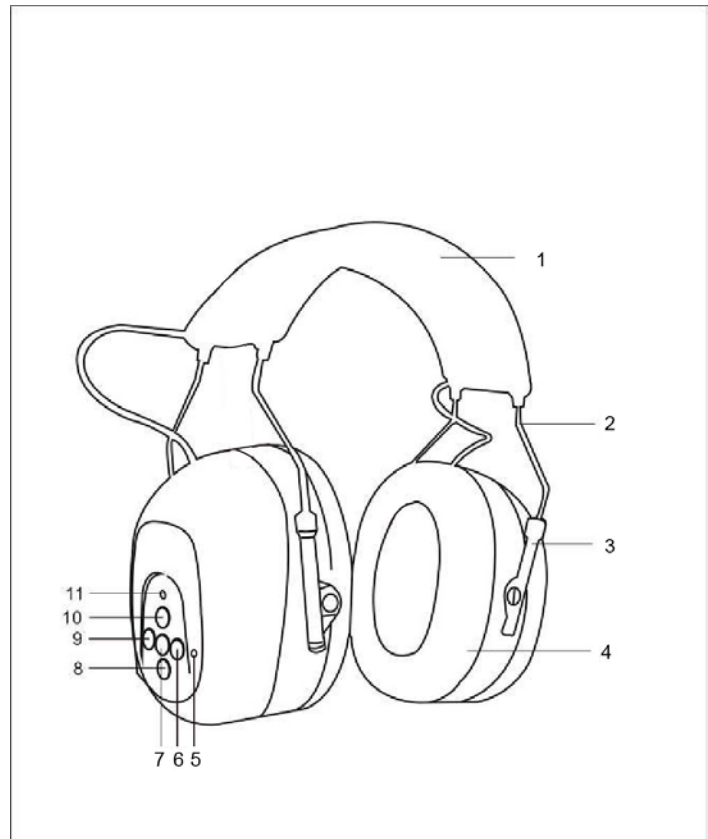
78219 HEARING PROTECTOR WITH Bluetooth  
78220 HEARING PROTECTOR WITH FM/Bluetooth

Model 78219 is a Hearing Protector built with Bluetooth, Model 78220 is a Hearing Protector built with FM radio and Bluetooth

It is specifically designed to protect your hearing when working under noisy conditions and create a suitable working atmosphere by listening to the music through Bluetooth and also communicate through Bluetooth call.

## COMPONENTS:

1. Wide headband with soft padding
2. Adjustable steel headband wire with elasticity
3. Height adjustment guide arm
4. Soft foam ear cushion
5. Intergrated microphone
6. Voice-up button
7. On/off & Function button
8. DOWN-seek button
9. Voice-down button
10. UP-seek button
11. Status display light



## INSTRUCTIONS FOR USE:

1. Slide out the shells and place the headset over your ears with the head band upwards and push the shells evenly upwards until the headband lies on your head. Please make sure that the ear cushions cover the outer ear completely and have a tight fit.
2. The headband should only rest gently onto the head, ensure that there is effective noise protection.
3. If replacing the cushions, by pulling it out from the inside to take off the cushions and then fit new cushions to the rim of the shells.

The ear cushion (part No.78228-1) and Cup padding (part No. 78228-3) can be replaced for ear muff 78219

4. 3xAAA batteries (not included).
5. Press on/off knob 2 seconds, power switch on.

### 6. **78219**

a. Bluetooth pairing on automatically, when "78219" shows on other equipment(mobile phone, MP3, etc.), touch it to get connection.

Then you can call and receive calls through this device.

The music in mobile phone and MP3, etc. can be played on this device. Press DOWN-seek button, it plays previous music again, press UP-seek button, it plays next music.

When you hear the phone ring, press Function button to receive and end call.

b. Voice-up button and Voice-down button control the volume of voice.

### **78220**

a. Bluetooth pairing on automatically, when “78219” shows on other equipment(mobile phone, MP3, etc.), touch it to get connection.

Then you can call and receive calls through this device.

The music in mobile phone and MP3, etc. can be played on this device. Press DOWN-seek button, it plays previous music again, press UP-seek button, it plays next music.

When you hear the phone ring, press Function button to receive and end call.

b. double clip function button, it switch to FM radio. FM from 87.5-108MHZ with 0.1 MHZ interval. Press DOWN-seek button 2 seconds, it searches previous station, press UP-seek button 2 seconds, it searches next station.

c. Voice-up button and Voice-down button control the volume of voice.

## **RECOMMENDATIONS:**

1. The hearing protector must be put on, adjusted, cleaned and maintained in accordance with the manufacturer’s instructions.
2. The hearing protector should be worn at all time in noisy surroundings for full protection.
3. The ear muffs are regularly inspected for serviceability
4. The ear muffs may be adversely affected by certain chemical substance. Contact the manufacture for further information
5. The fitting of cushions to the shells may affect the acoustic performance of the hearing protector.
6. Method of checking, charging and changing battery:

Small, Medium and Large size range ear-muffs well fit the majority of wearers.

**Warning:** If users do not follow these recommendations, attenuation and other functions will be severely impaired.

Method of checking, changing batteries: When the light turns to red color, open the battery box cover and change 3xAAA new batteries.

The audibility of warning signal at specific workplace may be impaired while using the entertainment facility.

### **Risk**

Misuse or failure to wear hearing protectors at all times that you are exposed to noise may result in hearing loss or injury. For proper use, see user instructions.

Don’t bend or reshape the headband, as this will cause a loose fit and sound leakage.

Don't disassemble, modify, or service this device. The unit contains no user serviceable parts.

### **DISINFECTION/CLEANING:**

Clean the outside of the unit regularly by using a slightly damp cloth and warm soapy water. Let the ear muffs dry before reusing them. Do not use brushes or other material otherwise the noise absorption inserts or ear cushion could be damaged. Never immerse ear muffs in water. Use only detergents that are innocuous for the user.

### **MAINTENANCE:**

The hearing protector radio, and particularly the ear cushions, can degenerate over time and may deteriorate with regular use and should be examined at frequent intervals for cracking and leakage, for example. The headband could not be bent or unnecessarily adjusted since the tension force is an important element to maintain the insulating properties.

### **STORAGE:**

Store the unit before and after each use inside its packaging box to keep it free from dust and dirt

### **TECHNICAL DATA**

Hereby, Hangzhou Demax Industry Co., Ltd. declares that Hearing protector with Bluetooth is in compliance with Regulation (EU) 2016/425.

#### **EU DECLARATION OF CONFORMITY No. 78219**

1. Ear Muff 78219/78220
2. Hangzhou Demax Industry Co.,Ltd.  
17D-E Richful trade plaza, 258 Middle Zhonghe Road, Hangzhou, China
3. This declaration of conformity is issued under the sole responsibility of the manufacturer.
4. The PPE is traceable, a label with lot number and technical information is on the PPE.
5. The PPE is in conformity with Regulation EU 2016/425
6. The PPE is in conformity with EN 352-1:2002, EN 352-8:2020.
7. The notified body SATRA Technology Europe Limited performed the EU type-examination (Module B) and issued the EU-type-examination certificate.
8. The PPE is subject to the conformity assessment procedure under surveillance of the notified body:  
INSPEC International B.V.

Signed for and on behalf of: Hangzhou Demax Industry Co., Ltd.

Hangzhou 27/12/2021

Eric Shang General Manager



The attenuation values are tested and approved according to Regulation (EU) 2016/425 and applicable sections of EU Standard EN 352-1:2002, EN 352-8:2020.

The earphone volume is measured at no more than 82dB (A) equivalent noise according to the PPE regulation.

The electronic circuit of the entertainment audio ear-muff meets the electrical safety and RED requirement appropriate to this class of equipment.

### **Sound pressure level for entertainment earmuff with Bluetooth**

Standard: EN 352-8

The maximum SPL is 80,0 dB(A) at – 10 dBFS

### **Federal Communications Commission (FCC) Statement**

You are cautioned that changes or modifications not expressly approved by the part responsible for compliance could void the user's authority to operate the equipment.

This device complies with Part 15 of the FCC Rules. Operation is subject to the following two conditions:

- 1) this device may not cause harmful interference, and
- 2) this device must accept any interference received, including interference that may cause undesired operation of the device.

This equipment has been tested and found to comply with the limits for a Class B digital device, pursuant to part 15 of the FCC rules. These limits are designed to provide reasonable protection against harmful interference in a residential installation. This equipment generates, uses and can radiate radio frequency energy and, if not installed and used in accordance with the instructions, may cause harmful interference to radio communications. However, there is no guarantee that interference will not occur in a particular installation. If this equipment does cause harmful interference to radio or television reception, which can be determined by turning the equipment off and on, the user is encouraged to try to correct the interference by one or more of the following measures:

- Reorient or relocate the receiving antenna.
- Increase the separation between the equipment and receiver.
- Connect the equipment into an outlet on a circuit different from that to which the receiver is connected.
- Consult the dealer or an experienced radio/TV technician for help.

### **FCC RF Radiation Exposure Statement:**

The product comply with the FCC portable RF exposure limit set forth for an uncontrolled environment and are safe for intended operation as described in this manual.